



Fisher Engineering

P.O. Box 529 Rockland, Maine 04841

August 25, 1998
No. 6430



Attachment Kit

Ford

- F-150** **1992-96**
- F-350 4 x 2** **1992-97**
- Bronco** **1992**

Table Of Contents

Attachment Kit Assembly 2

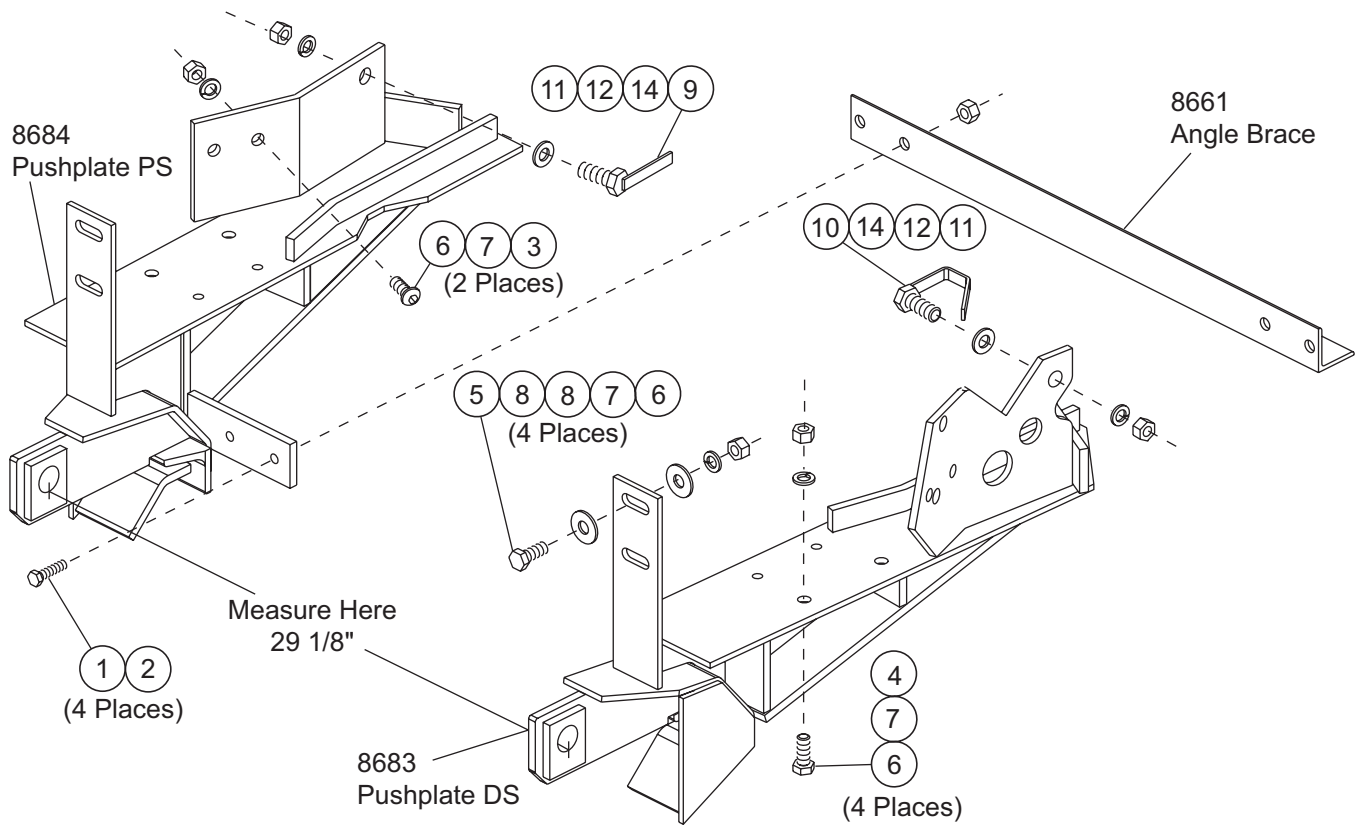
Bolt Bag Parts List 2

Installation Instructions 3

7126B Kit Parts List

7126B Attachment Kit					
Part #	Qty	Description	Part #	Qty	Description
8683	1	Pushplate-Driver Side	8661	1	Angle Brace
8684	1	Pushplate-Passenger Side	8685	1	7126B Bolt Bag

Parts List and Diagram



8685 – 7126B Bolt Bag							
Ref #	Part #	Qty	Description	Ref #	Part #	Qty	Description
1	90103	4	3/8-16 x 1" Gr. 5 Cap Screw	8	90319	8	1/2" Flat Washer
2	90352	4	3/8-16 Locknut	9	7988	1	5/8-11 x 1-1/2" Gr. 5 Cap Screw w/ Handle
3	90665	2	1/2-13 x 1-1/4" Socket Head Gr. 8 Cap Screw	10	7989	1	5/8-11 x 1-1/2" Gr. 5 Cap Screw w/ Bent Handle
4	90575	4	1/2-13 x 1-1/4" Gr. 5 Cap Screw	11	90343	2	5/8-11 Nut
5	90214	4	1/2-13 x 1-3/4" Gr. 5 Cap Screw	12	90366	2	5/8" Lock Washer
6	90337	10	1/2-13 Nut	13	90576	2	5/8" Flat Washer Gr. 8
7	90364	10	1/2" Lock Washer				

⚠ WARNING

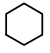


Indicates a potentially hazardous situation that may result in death or serious injury if not avoided.

⚠ CAUTION

Indicates a potentially hazardous situation that may result in minor or moderate injury and/or property damage if not avoided.

NOTE: Identifies tips, helpful hints and maintenance information the owner/operator should know.

Torque all fasteners according to the torque chart. For proper fit, do not tighten fasteners until instructed to do so.

NC FASTENER TORQUE (FT-LB)			
DIAMETER- THREADS PER INCH	GRADE		
			
	G2	G5	G8
1/4 - 20	6	9	13
5/16 - 18	11	18	28
3/8 - 16	19	31	46
7/16 - 14	30	50	75
1/2 - 13	45	75	115
9/16 - 12	66	110	165
5/8 - 11	93	150	225
3/4 - 10	150	250	370
7/8 - 9	150	378	591
1 - 8	220	583	893

Important Notices:

Fisher Engineering makes the following restrictions for this kit in accordance with Ford Motor Company's minimum recommended vehicle equipment for a snowplow installation. Peculiar attachment kit 7126B is designed only for use on the following vehicles:

- A. F150 pickups with heavy duty front suspension - 3800 lb. front GAWR.
- B. F350 4 x 2 with heavy duty front suspension - 4000 lb. front GAWR.
- C. Broncos with heavy duty front suspension - 3800 lb. front GAWR.

Vehicle Loading Requirements:

- A. The total vehicle curb weight must not exceed the gross vehicle weight (GVW) or cause either the front or rear gross axle weight rating (GAWR) to be exceeded. The GVW and GAWR are specified on the safety compliance certification label affixed to the vehicle. The vehicle curb weight includes all after market accessories including; the snowplow system with blade, the vehicle occupants and cargo.

- B. No more than 63% of the total vehicle curb weight should be supported by the front axle. If necessary, weight should be securely attached toward the rear of the vehicle to obtain this balance for purposes of complying with Federal Motor Vehicle Hydraulic Braking Standards.

INSTALLATION INSTRUCTIONS

NOTE: To insure proper fit of attachments and alignment of "connecting pin arms", do not fully tighten any fasteners until told to do so.

1. Remove and discard air dam.
2. **Broncos:** Remove sway bar and brackets from vehicle. Place bolting bars into hole locations on pushplates. Install driver side pushplate. Guide sway bar through both pushplates before completely installing pushplate on passenger side. Reattach sway bar and brackets.

7126B

3. Remove nuts on bracket holding bumper on driver side. Remove bracket holding cap screw so cap screws can be removed. Reinstall bracket. Remove stabilizer bar and brackets. Save fasteners. Reinstall after attachments are all installed. Install two 1/2" x 1-3/4" Gr. 5 cap screws with 1/2" flat washers out through bumper and frame brackets. Place front hanger of pushplate to back of bumper hanger and fasten with two 1/2" flat washers, lock washers and nuts. Do not tighten any fasteners. Place 5/8" x 1-1/2" Gr. 5 cap screw with bent handle and Gr. 8 flat washer through square hole in front of shock tower. Placing cap screw out through slotted hole in frame and rear hole of pushplate. Fasten with 5/8" lock washer and nut.
4. Repeat same with passenger side pushplate.
5. Place the angle bar cross member on the rear of the pushplate tabs with the heel down. Fasten with four 3/8" x 1" cap screws and 3/8" locknuts. Tighten these fasteners.
6. Place two 1/2" x 1-1/4" Gr. 5 cap screws up through driver side pushplate and stabilizer bracket. Fasten with 1/2" lock washer and nuts. Repeat on passenger side. Fasteners are not used on the F-350.
7. Lift and adjust the bumper. Tighten the bumper bracket fasteners. Check the center-to-center dimension between the connecting pin arms. This measurement should be 29-1/8". Tighten all the rest of the pushplate fasteners.
8. After all fasteners are tight, drill a 17/32" hole through both frame rails on the driver side pushplate using the rear 17/32" hole on the side of the pushplate as a guide. Ream this hole out to 3/4" through the inside wall of the frame rail only. Place a 1/2" x 1-1/4" socket head cap screw out through the frame and fasten with a 1/2" lock washer and nut. Tighten fastener. Repeat on the passenger side.
9. Route stabilizer bar through pushplate. Fasten mounts to upper plate of pushplate with previously removed fasteners. Tighten.

Copyright © 1998 Douglas Dynamics, L.L.C. All rights reserved. This material may not be reproduced or copied, in whole or in part, in any printed, mechanical, electronic, film or other distribution and storage media, without the written consent of Fisher Engineering. Authorization to photocopy items for internal or personal use by Fisher Engineering outlets is granted.

Fisher Engineering reserves the right under its product improvement policy to change construction or design details and furnish equipment when so altered without reference to illustrations or specifications used herein. Fisher Engineering and the vehicle manufacturer may require and/or recommend optional equipment for snow removal. Fisher Engineering offers a limited warranty for all snowplows and accessories. See separately printed page for this important information. The following are registered (®) and unregistered (™) trademarks of Douglas Dynamics, L.L.C.: FISHER®, Minute Mount®

Printed in USA