



WESTERN PRODUCTS
P.O. BOX 245038
MILWAUKEE, WI 53224-9538



64410 PRO PLUS®
BLADE WING KIT

INSTALLATION INSTRUCTIONS
AND PARTS LIST

A DIVISION OF DOUGLAS DYNAMICS, L.L.C.

INSTALLATION INSTRUCTIONS

WARNING

Keep well clear of the blade when it is being raised, lowered or angled. Do not stand between the vehicle and blade or directly in front of blade. If the blade hits you or drops on you, you could be seriously injured.

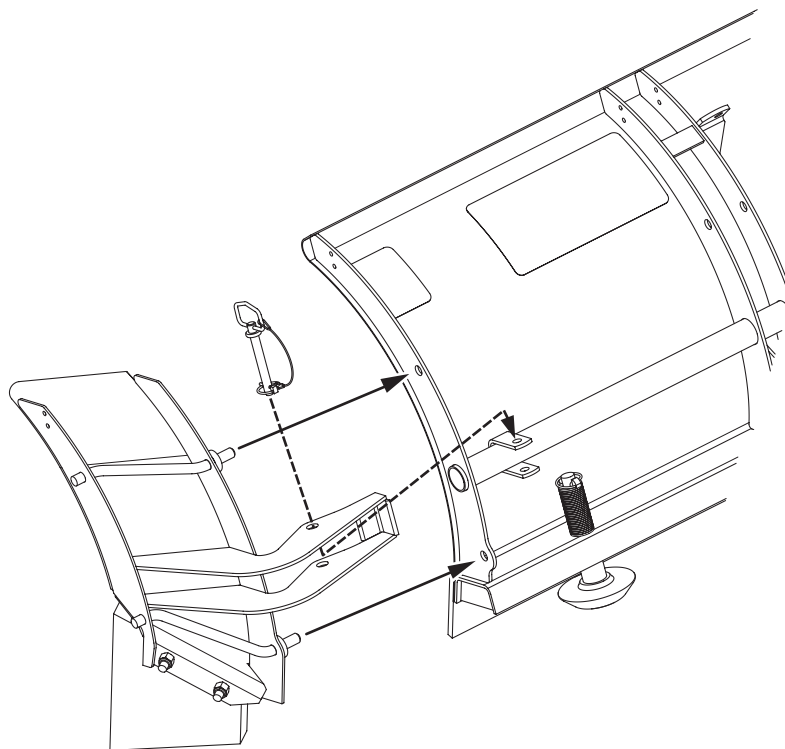
CAUTION

To prevent accidental movement of the blade, always turn the ON/OFF switch to OFF whenever the snowplow is not in use. The control indicator light will turn off.

CAUTION

Use standard methods and practices when attaching snowplow including proper safety equipment.

1. Insert wing studs into holes on end rib of blade.
2. Rotate wing until holes in bracket on blade align with holes in wing arm.
3. Insert clevis pin and secure with hairpin cotter.
4. Repeat on other side.



(See other side for Parts List.)



WESTERN PRODUCTS
P.O. BOX 245038
MILWAUKEE, WI 53224-9538



**64410 PRO PLUS®
BLADE WING KIT**

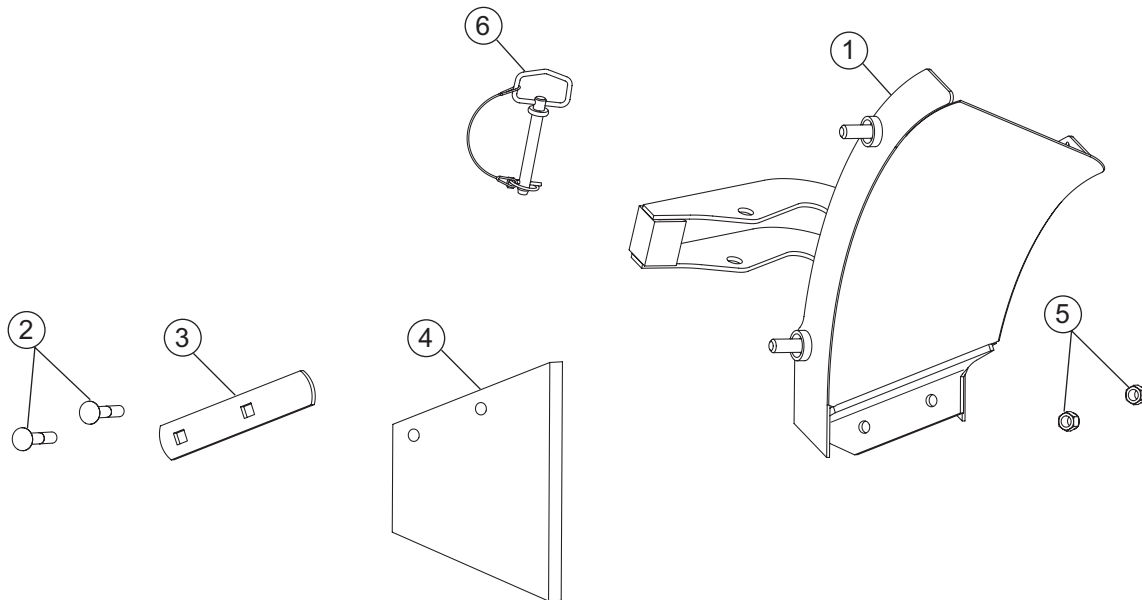
**INSTALLATION INSTRUCTIONS
AND PARTS LIST**

DD A DIVISION OF DOUGLAS DYNAMICS, L.L.C.

PARTS LIST

64410 PRO PLUS BLADE WING KIT							
Item	Part	Qty	Description	Item	Part	Qty	Description
1	67876	1	BLADE WING, DS	3	67884	2	BAR, CLAMP
NS	67877	1	BLADE WING, PS	4	67919	2	CUTTING EDGE BLADE WING
2	90265	4	5/8-11 X 3-1/2 CARRIAGE BOLT G5	5	91337	4	5/8-11 HEX LOCK NUT GB
67924 Bolt Bag							
6	67921	2	PIN, HITCH 5/8 X 4.75				
G = Grade				NS = Not Shown			

**Driver Side Blade Wing Parts Shown in Illustration
(Passenger Side Not Shown)**



(See other side for Installation Instructions.)

Western Products reserves the right under its product improvement policy to change construction or design details and furnish equipment when so altered without reference to illustrations or specifications used. Western Products and the vehicle manufacturer may require and/or recommend optional equipment for snow removal. Western Products offers a limited warranty on all snowplows and accessories. See separately printed page for this important information. The following are registered (®) trademarks of Douglas Dynamics, L.L.C.: PROPLUS®, WESTERN®.

Printed in U.S.A.