



Fisher Engineering

50 Gordon Drive, Rockland, Maine 04841-2139 • www.fisherplows.com

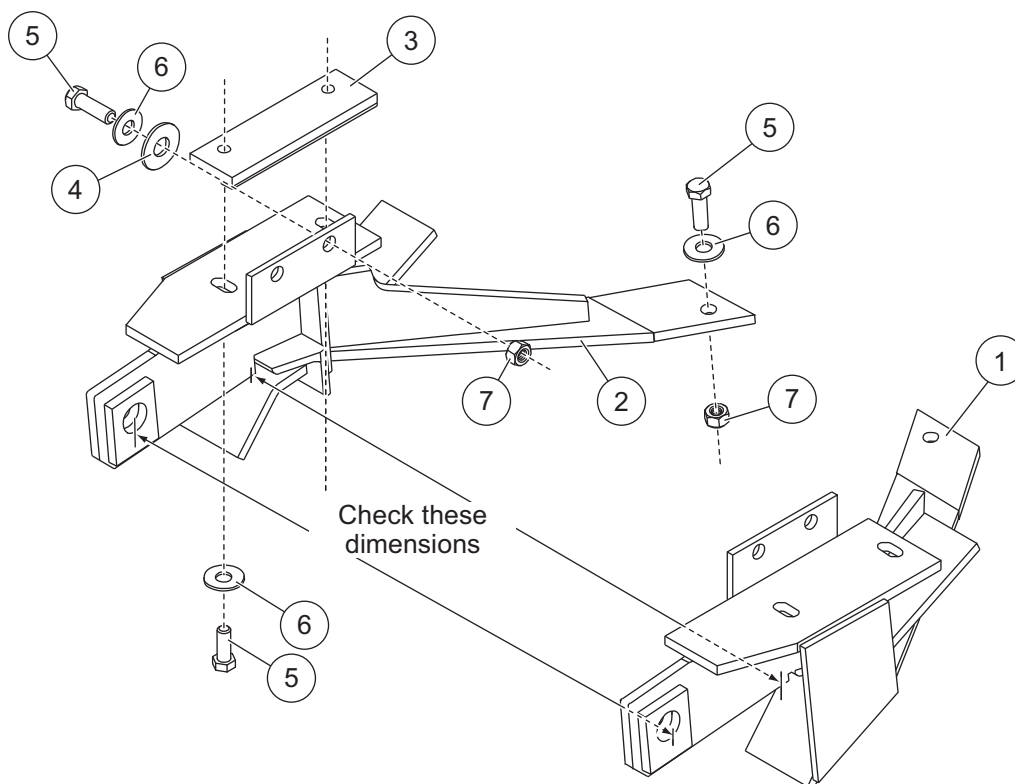
January 15, 2009
Lit. No. 6452, Rev. 09

Minute² SYSTEM

MOUNT KIT

GM K2500 w/8600 GVW	1988 - 00
GM K3500	1988 - 00
GM K2500 Suburban w/8600 GVW	1992 - 00

Parts List



7125 Mount Kit							
Item	Part	Qty	Description	Item	Part	Qty	Description
1	8767	1	Pushplate, DS	3	20390	2	Bolting Bar
2	8768	1	Pushplate, PS	ns	8863	1	Bolt Bag – 7125
8863 Bolt Bag – 7125							
4	63923	4	5/8 Flat Washer	6	90572	10	1/2 Hardened Flat Washer
5	90210	10	1/2-13 x 1-1/2 Hex Cap Screw G5	7	91335	6	1/2-13 Hex Locknut GB Topping
ns = not shown				G = Grade			

Copyright © 2009 Douglas Dynamics, L.L.C. All rights reserved. This material may not be reproduced or copied, in whole or in part, in any printed, mechanical, electronic, film or other distribution and storage media, without the written consent of Fisher Engineering. Authorization to photocopy items for internal or personal use by Fisher Engineering outlets or snowplow owner is granted.

Fisher Engineering reserves the right under its product improvement policy to change construction or design details and furnish equipment when so altered without reference to illustrations or specifications used. Fisher Engineering or the vehicle manufacturer may require or recommend optional equipment for snow removal. Do not exceed vehicle ratings with a snowplow. Fisher Engineering offers a limited warranty for all snowplows and accessories. See separately printed page for this important information. The following are registered (®) trademarks of Douglas Dynamics, L.L.C.: FISHER®, Minute Mount® 2.

Printed in U.S.A.