

**Fisher Engineering**

P.O. Box 529 Rockland, Maine 04841

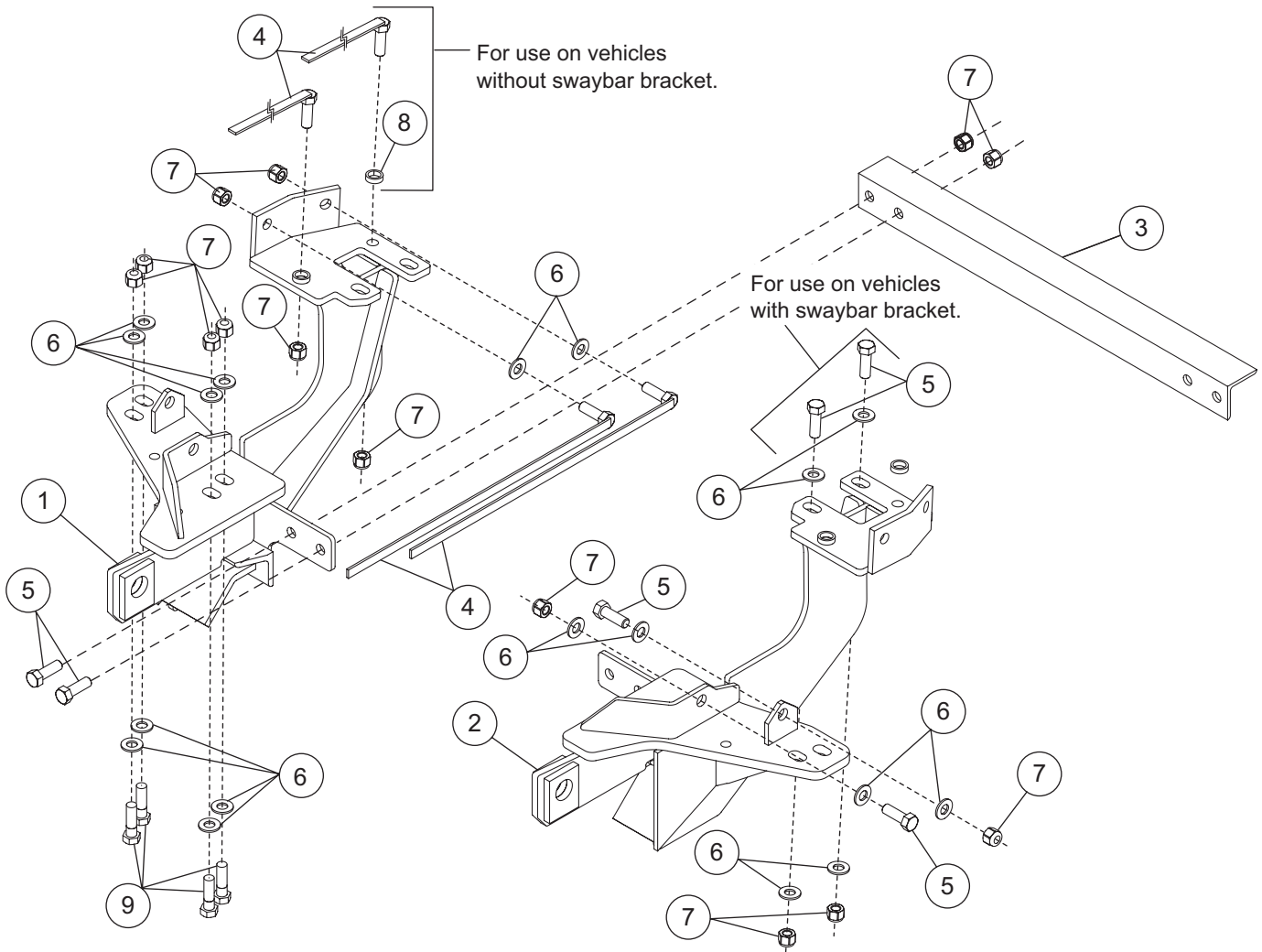
June 6, 2005  
Lit. No. 64554, Rev. 02

# Minute<sup>2</sup> SYSTEM

## MOUNT KIT

**Ford Super Duty 250/350/450/550 2004 Late**

### Parts List



7173 Mount Kit							
Item	Part	Qty	Description	Item	Part	Qty	Description
1	64436	1	Pushplate, PS	4	22314	8	1/2-13 x 1-1/2 Hex Cap Screw G5 with Handle
2	64435	1	Pushplate, DS	ns	66871	1	Ford BlockerBeam™ Warning Tag
3	67696	1	Cross Bar	ns	64560	1	Bolt Bag
64560 Bolt Bag							
5	90210	12	1/2-13 x 1-1/2 Hex Cap Screw G5	9	90101	8	1/2-13 x 1-3/4 Hex Cap Screw G5
6	90572	36	1/2 Hardened Flat Washer	ns	61536	7	Cable Tie – Long
7	91335	24	1/2-13 Hex Locknut GB	ns	62313	2	5/8 ID x 3 Long Convolute Tube
8	22205	2	Bushing	ns	64562	1	Template
ns = not shown		G = grade			ID = inner diameter		

Copyright © 2005 Douglas Dynamics. L.L.C. All rights reserved. This material may not be reproduced or copied, in whole or in part, in any printed, mechanical, electronic, film or other distribution and storage media, without the written consent of Fisher Engineering. Authorization to photocopy items for internal or personal use by Fisher Engineering outlets or snowplow owner is granted.

Fisher Engineering reserves the right under its product improvement policy to change construction or design details and furnish equipment when so altered without reference to illustrations or specifications used. Fisher Engineering and the vehicle manufacturer may require and/or recommend optional equipment for snow removal. Do not exceed vehicle ratings with a snowplow. Fisher Engineering offers a limited warranty for all snowplows and accessories. See separately printed page for this important information. The following are registered (®) trademarks of Douglas Dynamics, L.L.C.: FISHER®, Minute Mount®2.

Printed in U.S.A.