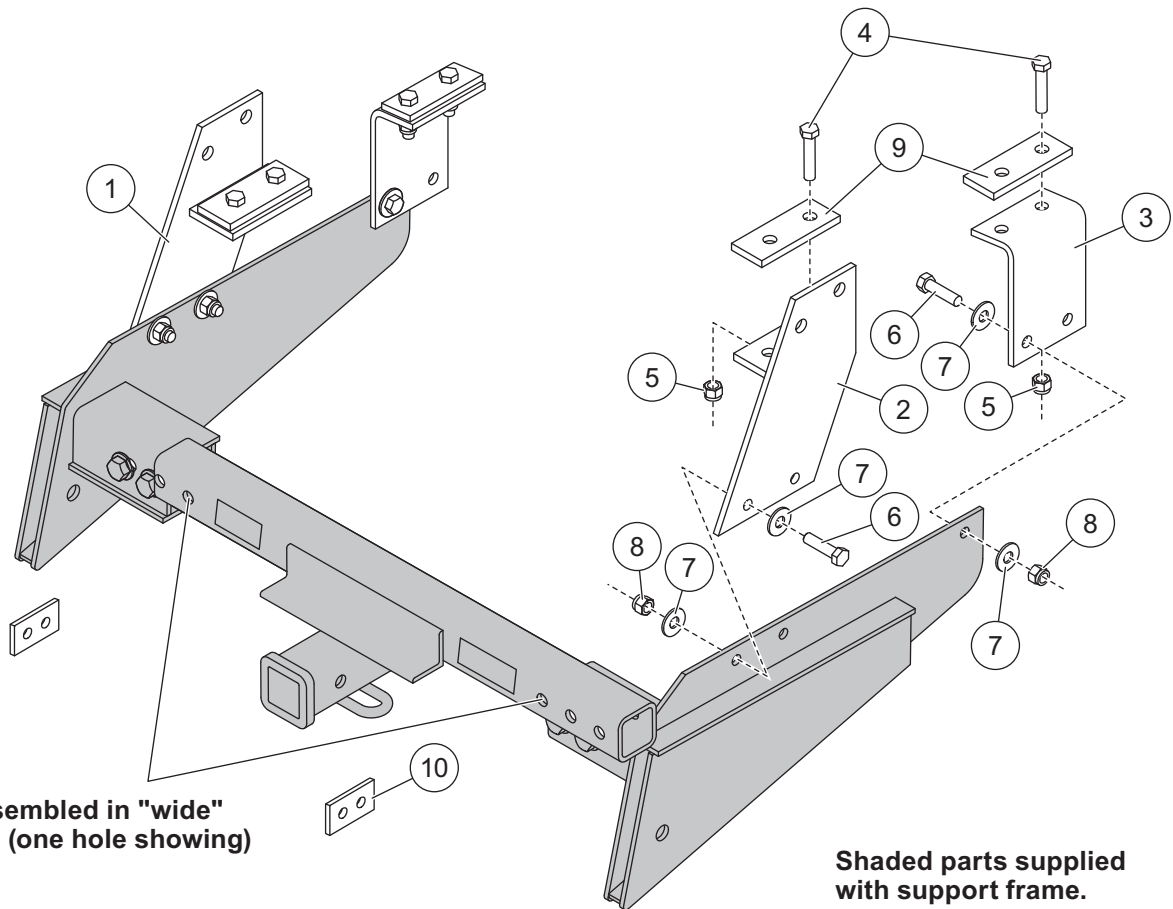


PARTS LIST



Subframe assembled in "wide" configuration (one hole showing)

Shaded parts supplied with support frame.

64720 Under-Frame Mount							
Item	Part	Qty	Description	Item	Part	Qty	Description
1	64712	2	Bracket, Rear, DS	3	64714	2	Bracket, Front
2	64713	2	Bracket, Rear, PS	ns	64717	1	Bolt Bag Assembly
64717 Bolt Bag							
4		8	3/4-10 x 2 Hex Cap Screw G5	8	6	1/2-13 Hex Locknut GB	
5		8	3/4-10 Hex Locknut GB	9	64718	4	Backer Plate
6		6	1/2-13 x 1-1/2 Hex Cap Screw G5	10	67492	2	Spacer Plate
7		12	1/2 Flat Washer				
ns = not shown				G = Grade			

Copyright © 2017 Douglas Dynamics, LLC. All rights reserved. This material may not be reproduced or copied, in whole or in part, in any printed, mechanical, electronic, film or other distribution and storage media, without the written consent of the company. Authorization to photocopy items for internal or personal use by the company's outlets or spreader owner is granted.

The company reserves the right under its product improvement policy to change construction or design details and furnish equipment when so altered without reference to illustrations or specifications used. This equipment manufacturer or the vehicle manufacturer may require or recommend optional equipment for spreaders. Do not exceed vehicle ratings with a spreader. The company offers a limited warranty for all spreaders and accessories. See separately printed page for this important information.

Printed in U.S.A.
