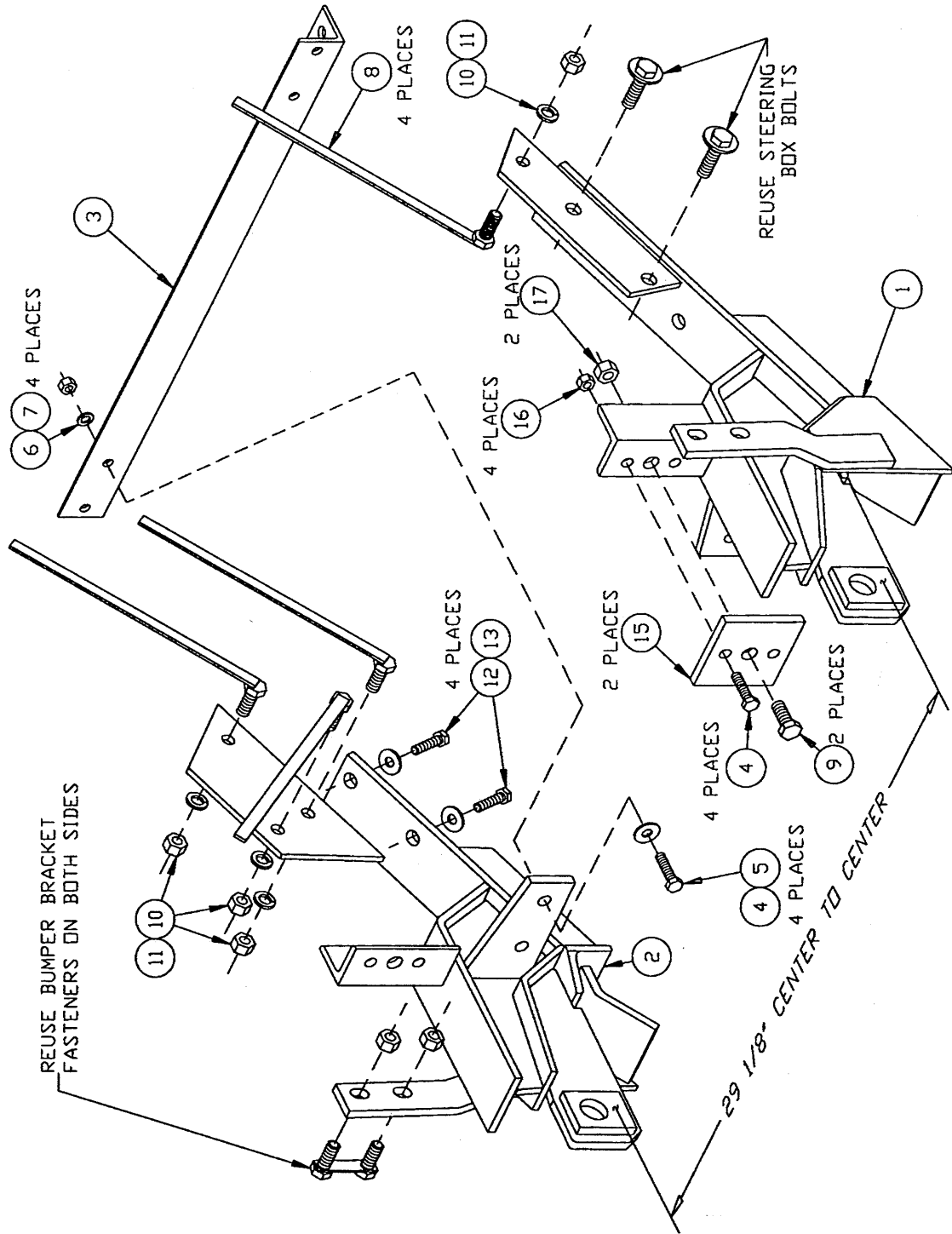





Dodge
2500 w/AHD & 8800 GVW
3500 w/AHD & 10,500 GVW

1994-96
1994-96



Parts List			
Ref #	Part #	Qty	Description
1	9070	1	Pushplate - Driver Side
2	9071	1	Pushplate - Passenger Side
3	8661	1	Angle Brace
	8932	1	Bolt Bag for 7141B- includes the following parts:
4	90106	8	3/8-16 x 1-1/4" Gr.5 Cap Screw
5	90315	4	3/8" Plain Washer
6	90361	4	3/8" Split Lock Washer
7	90334	4	3/8" -16 Nut
9	90210	2	1/2-13 x 1-1/2" Gr.5 Cap Screw
10	90364	4	Split Lock Washer
11	90337	4	1/2"-13 Nut
12	90636	4	M10 x 1.50 x 40 Gr.10.9 Cap Screw
13	90420	4	M10 Plain Washer
16	90352	4	3/8"-16 Locknut
17	90355	2	1/2"-13 Locknut
59	8324	4	Hose tie - 3/16 x 14"
62	90615	4	1/4 x 1/2" (NC) Gr.5 Cap Screw
63	90350	4	1/4"-20 (NC) Locknut
75	3666	4	Hose Tie - 3/16 x 8"
83	90461	4	1/4 x 3/4" (NC) Gr. 5 Cap Screw
85	90359	4	1/4" Lock Washer
86	90330	4	1/4"-20 (NC) Nut
87	90311	4	1/4" Flat Washer
	20282	1	Bracket/Fastener Bag for 7141B - incl. the following parts
8	8879	4	1/2-13 x 1-1/4" Gr.5 Cap Screw With Handle
15	9068	2	Backing Plate
61	8914	2	Grille Bracket

NC FASTENER TORQUE (FT-LB)			
DIAMETER- THREADS	GRADE		
			
PER INCH	G2	G5	G8
1/4 - 20	6	9	13
5/16 - 18	11	18	28
3/8 - 16	19	31	46
7/16 - 14	30	50	75
1/2 - 13	45	75	115
9/16 - 12	66	110	165
5/8 - 11	93	150	225
3/4 - 10	150	250	370
7/8 - 9	150	378	591
1 - 8	220	583	893

Important Notice:

Fisher Engineering recommends that 7141B Peculiar Attachment Kit be only installed on the following vehicles:

Dodge 2500 with AHD package & 8800 pound GVW.

Dodge 3500 with AHD package & 10,500 pound GVW.

Installation Instructions

1. Remove frame brackets from sway bar and discard fasteners. Remove and save the two forward bumper bracket bolts on clips from both sides of vehicle. Remove and save the two lower steering box bolts from frame on driver-side.
2. Place driver-side pushplate (1) with angle and side bar portions straddling frame. Place the two forward bumper bracket bolts on clips back through bracket and forward hanger on pushplate. Do not tighten fasteners at this time. Reinstall both steering box bolts. Place a backing plate (15) inside forward part of cross member. Install two 3/8 x 1-1/4" cap screws (4) through backing plate, cross member and pushplate angle.

Attach with two 3/8" locknuts (16). Install a 1/2 x 1-1/2" cap screw (9) between 3/8" cap screws and fasten with 1/2" locknut (17). Bend handle as necessary and insert a 1/2 x 1-1/2" cap screw with handle (8) through large hole in frame (back of pushplate) and insert bolt out through frame and rear hole of pushplate. Fasten with 1/2 lock washer (10) and nut (11).

3. Repeat step #2 for passenger-side pushplate (2), except for top hole on side plate. Insert a 1/2 x 1-1/2" cap screw with handle (8) in through square hole with bumper brace attached, and out through frame and top hole in rear side plate on pushplate. Fasten with 1/2" lock washer (10) and nut (11).
4. Reattach sway bar brackets to pushplates and frame with four M10 x 1.5 x 40 cap screws (12) and flat washers (13). Install angle brace (3) to back of the pushplate inner tabs with the leg on bottom facing rearward. Attach to pushplates with four 3/8 x 1-1/4" cap screws (4), flat washers (5), lock washers (6) and nuts (7) from front to rear of vehicle. Measure the distance between the connecting arms. The distance should be 29-1/8" center to center. To ensure the arms are parallel, a second measurement must be taken farther back on the arms. Verify the distance between the connecting arms and correct if necessary.
5. Tighten sway bar bolts first, the steering box bolts second and then all remaining fasteners. Using the two rear holes on the passenger-side pushplate as guides, drill two 17/32" through frame. Bend handles as needed and install two 1/2 x 1-1/2" cap screws with handle (8) through frame using the two large holes behind pushplate. The rear sway bar fastener may have to be loosened to get forward cap screw in. Attach with two 1/2" lock washers (10) and nuts (11). Bend handles on all cap screws with handles to prevent contact with any vehicle components.

Grille Bracket Installation

A. For vehicles with under-hood hydraulics:

Install grille brackets according to the peculiar hydraulic installation instructions.

B. For vehicles with out-front hydraulics:

Install grille brackets and panel mounts according to the hydraulic installation instructions.

Regular duty vehicles with bumper "Sight Shield" provided with Laramie SLT package:

Place a grille bracket (61) on back of grille plate as shown in the illustration. Attach with two 1/4 x 1/2" cap screws (62) and locknuts (63). Place the grille plate bracket into large hole in driver-side of the bumper. Use the holes in the grille plate as a guide to drill two 1/4" holes on both sides of grille plate in line with grille plate holes (four holes in total). Fasten bottom of grille plate to drilled holes with two tie wraps (75) and top bracket to top plastic bumper liner with two long tie wraps (59).

Regular & heavy duty vehicles without bumper "Sight Shield"

Install the same as regular duty with "sight shield", except position the grille brackets outwards in the large bumper openings against bumper brackets. Insert four 1/4 x 3/4" cap screws (83) with flat washers (87) down through bumper and bracket, using the holes in the grille brackets. Fasten with four lock washers (85) and nuts (86).

Heavy duty vehicles with bumper "Sight Shield"

Either remove the "Sight Shield" or cut as needed to install grille brackets the same as vehicles without "Sight Shield". Another option is to not use the grille plates and brackets. Simply install the disconnects and dust plugs to ends of the lift and angle hoses and store inside bumper when not in use.

