



Fisher Engineering

P.O. Box 529 Rockland, Maine 04841
www.fisherplows.com

May 1, 2006
Lit. No. 6485, Rev. 03

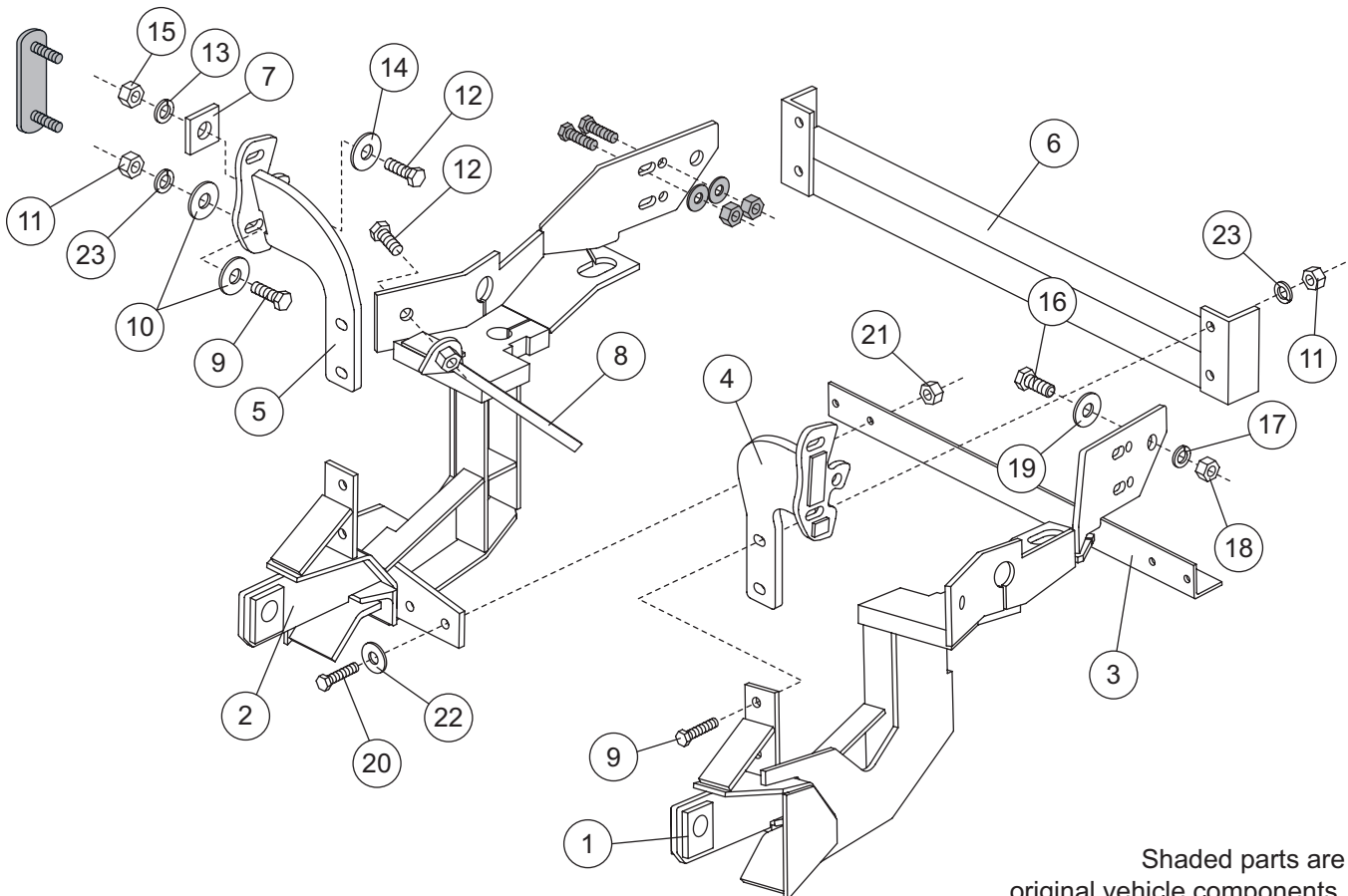
Minute² SYSTEM

MOUNT KIT

Ford F-250 w-w/o Sway Bar
Ford F-350

1987 - 91
1987 - 91

Parts List



Shaded parts are original vehicle components.

7132

7132 Mount Kit							
Item	Part	Qty	Description	Item	Part	Qty	Description
1	20926	1	Pushplate – DS	6	20106	1	Angle Brace
2	20927	1	Pushplate – PS	7	6049	2	Square Spacer
3	8661	1	Angle Brace	8	6037	2	5/8-11 Hex Nut w/Handle
4	20029	1	Hanger – DS	ns	20022	1	Bolt Bag – 7132
5	20030	1	Hanger – PS				
20022 Bolt Bag – 7132							
9	90218	8	1/2-13 x 2 Hex Cap Screw G8	17	90367	2	3/4 Spring Lock Washer
10	90572	8	1/2 Hardened Flat Washer	18	90345	2	3/4-10 Hex Nut G5
11	90337	8	1/2-13 Hex Nut G5	19	90325	2	3/4 Wide Flat Washer Type A
12	90129	4	5/8-11 x 2 Hex Cap Screw G5	20	90039	4	3/8-16 x 1 Hex Cap Screw G5
13	90366	2	5/8 Spring Lock Washer	21	91333	4	3/8-16 Top Ring Hex Locknut GB
14	63923	2	5/8 Wide Flat Washer Type A	22	90315	4	3/8 Wide Flat Washer Type A
15	91416	2	5/8-11 Hex Nut G5	23	91205	8	1/2 Spring Lock Washer
16	90286	2	3/4-10 x 2 Hex Cap Screw G5				
ns = not shown				G = grade			

Copyright © 2006 Douglas Dynamics, L.L.C. All rights reserved. This material may not be reproduced or copied, in whole or in part, in any printed, mechanical, electronic, film or other distribution and storage media, without the written consent of Fisher Engineering. Authorization to photocopy items for internal or personal use by Fisher Engineering outlets or snowplow owner is granted.

Fisher Engineering reserves the right under its product improvement policy to change construction or design details and furnish equipment when so altered without reference to illustrations or specifications used. Fisher Engineering or the vehicle manufacturer may require or recommend optional equipment for snow removal. Do not exceed vehicle ratings with a snowplow. Fisher Engineering offers a limited warranty for all snowplows and accessories. See separately printed page for this important information. The following are registered (®) trademarks of Douglas Dynamics, L.L.C.: FISHER®, Minute Mount® 2.

Printed in U.S.A.