

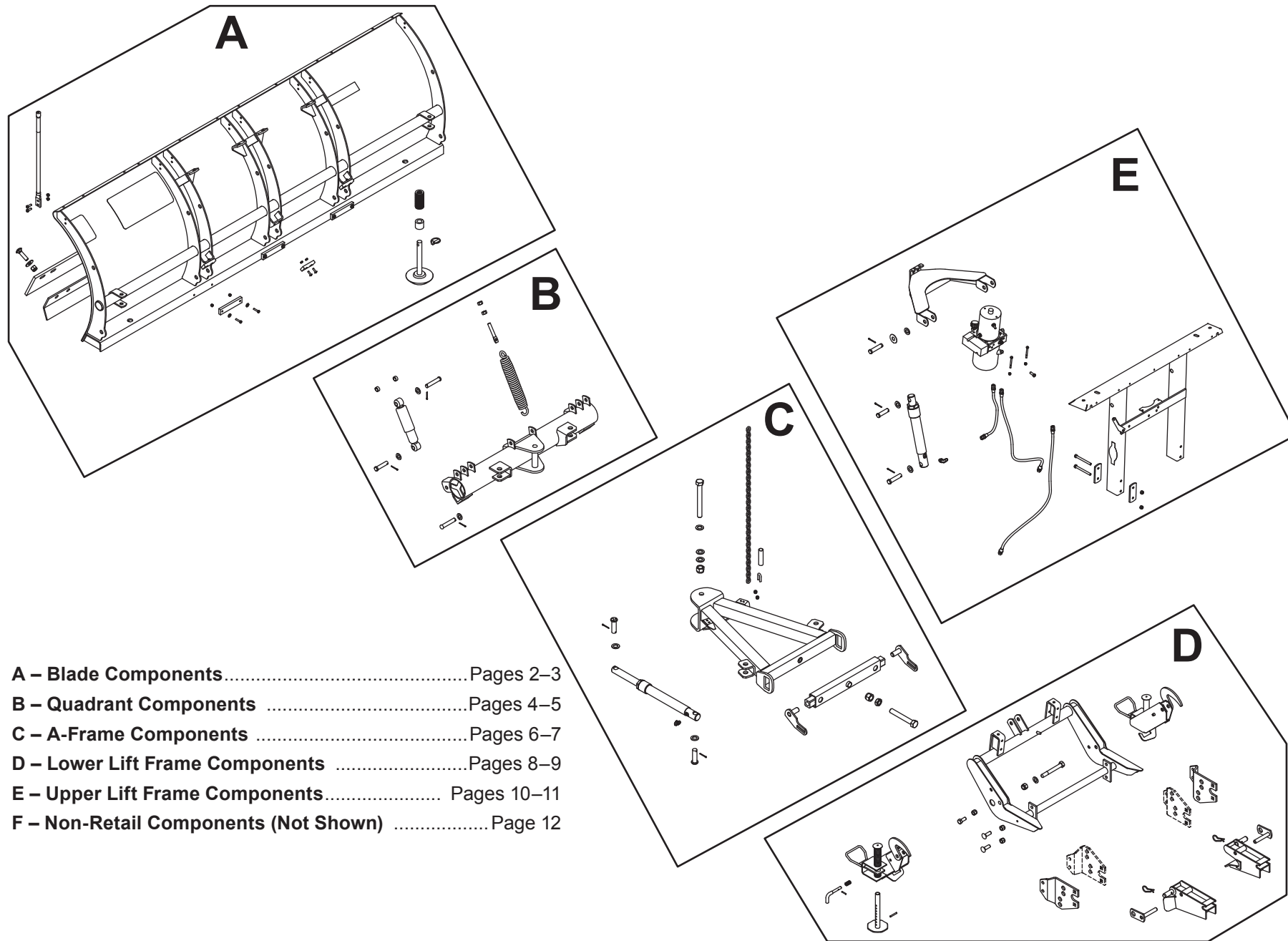


PRO PLUS[®] Snowplow

Blades 64750, 66980, 66974 & 66901
A&Q 66490; Lift Frame 67951-2

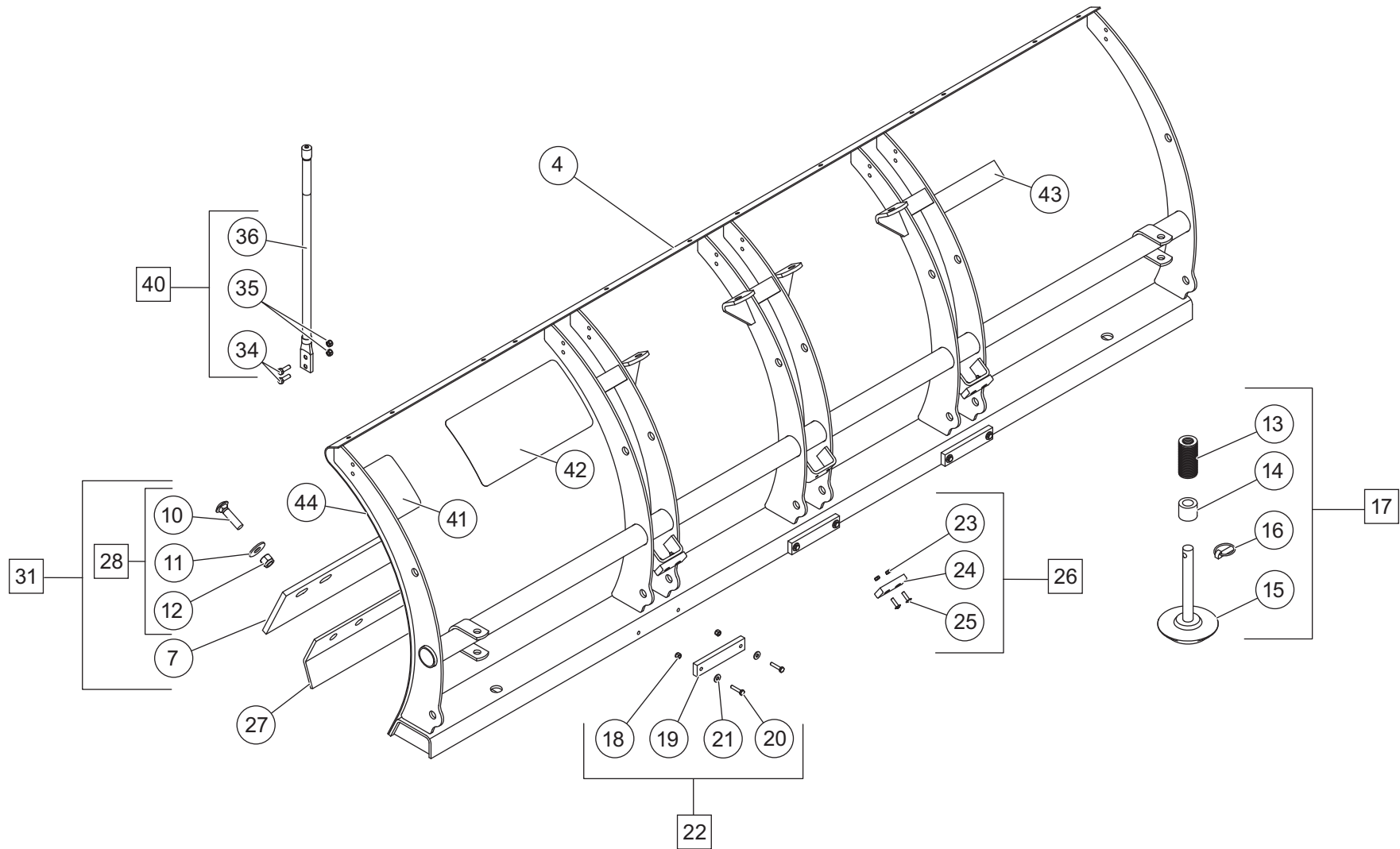
Parts List





A – Blade Components Pages 2–3
B – Quadrant Components Pages 4–5
C – A-Frame Components Pages 6–7
D – Lower Lift Frame Components Pages 8–9
E – Upper Lift Frame Components Pages 10–11
F – Non-Retail Components (Not Shown) Page 12

www.storksplows.com
PRO PLUS® BLADE COMPONENTS



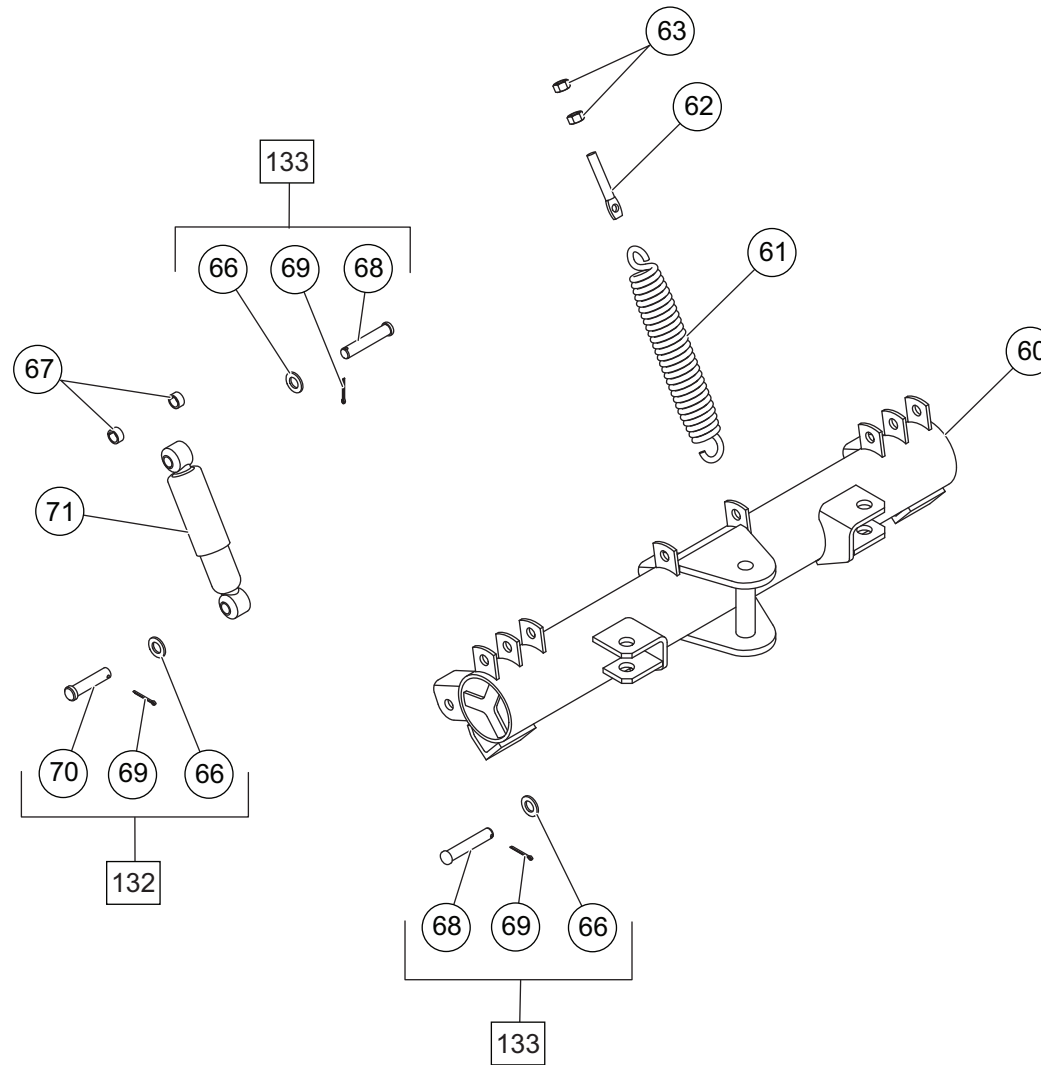
www.storksplows.com
PRO PLUS® BLADE COMPONENTS

| PRO PLUS Blade Components | | |
|---------------------------|-------|-------------------------------------|
| Item | Part | Description |
| 4 | 66901 | 9.0' Blade |
| | 66974 | 8.5' Blade |
| | 66980 | 8.0' Blade |
| | 64750 | 7.5' Blade |
| 17 | 49071 | Shoe Kit |
| 22 | 63977 | Trip Stop Kit |
| 26 | 63976 | Push Stop Kit |
| 27 | 66991 | 9.0' Back Drag Edge (Accessory) |
| | 66999 | 8.5' Back Drag Edge (Accessory) |
| | 66892 | 8.0' Back Drag Edge (Accessory) |
| | 64758 | 7.5' Back Drag Edge (Accessory) |
| | 28 | 29351 |
| 31 | 63990 | 9.0' Cutting Edge Kit |
| | 63985 | 8.5' Cutting Edge Kit |
| | 63980 | 8.0' Cutting Edge Kit |
| | 64775 | 7.5' Cutting Edge Kit |
| 40 | 62595 | Blade Guide Kit |
| 41 | 59900 | Label – Information (Warning) |
| 42 | 67796 | Label – UltraMount® Attach/Detach |
| 43 | 28404 | Label – Identity, ULTRAFINISH™ |
| 44 | 44452 | Label – Identity, CONTRACTOR GRADE® |
| ns | 28548 | Blade Label Kit, UltraMount |
| ns = not shown | | |

| Item 17 49071 Shoe Kit | | | |
|--|--------|-----|---------------------------------|
| Item | Part | Qty | Description |
| 13 | 91192 | 29 | Round Flat Washer – Special |
| 14 | 60045 | 1 | Spacer |
| 15 | | 1 | Heavy Duty Disc Shoe |
| 16 | 93010K | 1 | 7/16 x 1-3/4 Linchpin |
| Item 22 63977 Trip Stop Kit | | | |
| 18 | | 2 | 1/4-20 Hex Locknut G5 |
| 19 | | 1 | Bumper |
| 20 | | 2 | 1/4-20 x 1-1/4 Hex Cap Screw G5 |
| 21 | | 2 | 1/4 Flat Washer |
| Item 26 63976 Push Stop Kit | | | |
| 23 | | 2 | 1/4-20 Hex Jam Locknut GB |
| 24 | | 1 | Bumper |
| 25 | | 2 | 1/4-20 x 3/4 Button Cap Screw |
| Item 28 29351 Cutting/Back Drag Bolt Kit | | | |
| 10 | 63986 | 10 | 5/8-11 x 2-1/2 Carriage Bolt G5 |
| 11 | 90576 | 10 | 5/8 Hardened Flat Washer |
| 12 | 91337 | 10 | 5/8-11 Hex Locknut GB |
| Item 40 62595 Blade Guide Kit | | | |
| 34 | 68494 | 4 | 5/16-18 x 1 Hex Cap Screw G5 |
| 35 | 91332 | 4 | 5/16-18 Hex Locknut GB |
| 36 | 62578 | 2 | Blade Guide Poly 24" w/Decal |
| G = Grade | | | |

| Item 31 Cutting Edge Kit | | | | | | |
|--------------------------|-------|------|------|------|------|--------------------------------------|
| Item | Part | Qty | | | | Description |
| | | 7.5' | 8.0' | 8.5' | 9.0' | |
| 7 | | 1 | | | | 7.5' Cutting Edge |
| | | | 1 | | | 8.0' Cutting Edge |
| | | | | 1 | | 8.5' Cutting Edge |
| | | | | | 1 | 9.0' Cutting Edge |
| 28 | 29351 | 1 | 1 | 1 | 1 | Cutting Edge/Back Drag Edge Bolt Kit |

Items without part numbers are not available for individual sale.



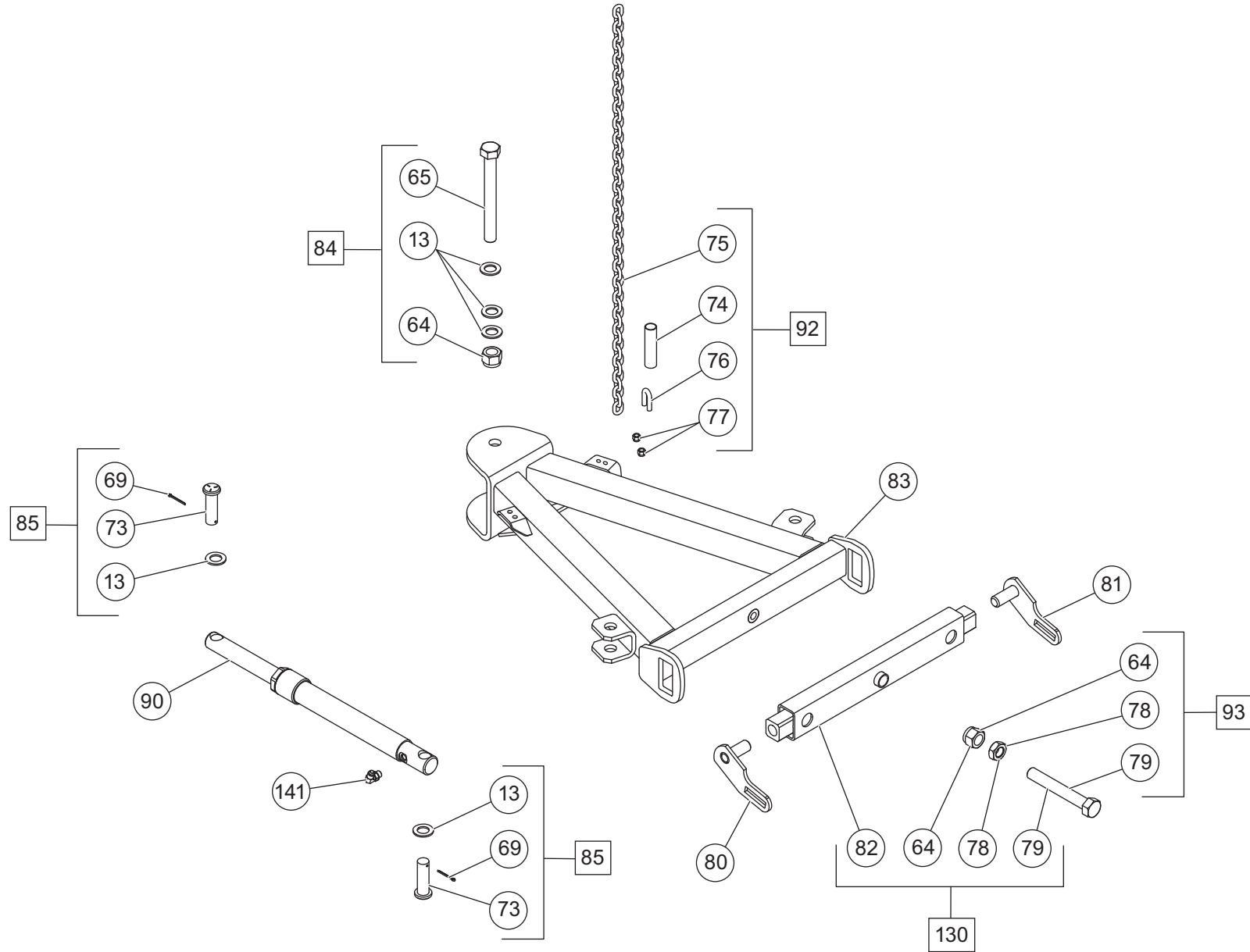
www.storksplows.com
PRO PLUS® QUADRANT

| Quadrant Components | | |
|----------------------------|-------------|-------------------------------|
| Item | Part | Description |
| 60 | 66930 | Quadrant |
| 61 | 23039 | Trip Spring |
| 62 | 90490 | 5/8-11 x 4 Eyebolt G2 |
| 63 | 91416 | 5/8-11 Hex Nut G5 |
| 67 | 63211 | Spacer .758 ID x 1 OD x .5 LG |
| 71 | 63979 | Shock Absorber |
| 132 | 93063K | Clevis Pin Kit, 3/4 x 3-1/4 |
| 133 | 95335 | Clevis Pin Kit, 3/4 x 4 |
| G = Grade | | |

| Item 132 93063K Clevis Pin Kit, 3/4 x 3-1/4 | | | |
|---|-------------|------------|-------------------------|
| Item | Part | Qty | Description |
| 66 | 91147 | 1 | 3/4 Flat Washer |
| 69 | 91911 | 1 | 5/32 x 1-1/2 Cotter Pin |
| 70 | | 1 | 3/4 x 3-1/4 Clevis Pin |
| Item 133 95335 Clevis Pin Kit, 3/4 x 4 | | | |
| 66 | 91147 | 1 | 3/4 Flat Washer |
| 68 | | 1 | 3/4 x 4 Clevis Pin |
| 69 | 91911 | 1 | 5/32 x 1-1/2 Cotter Pin |

Items without part numbers are not available for individual sale.

www.storksplows.com
PRO PLUS® A-FRAME



PRO PLUS® A-FRAME

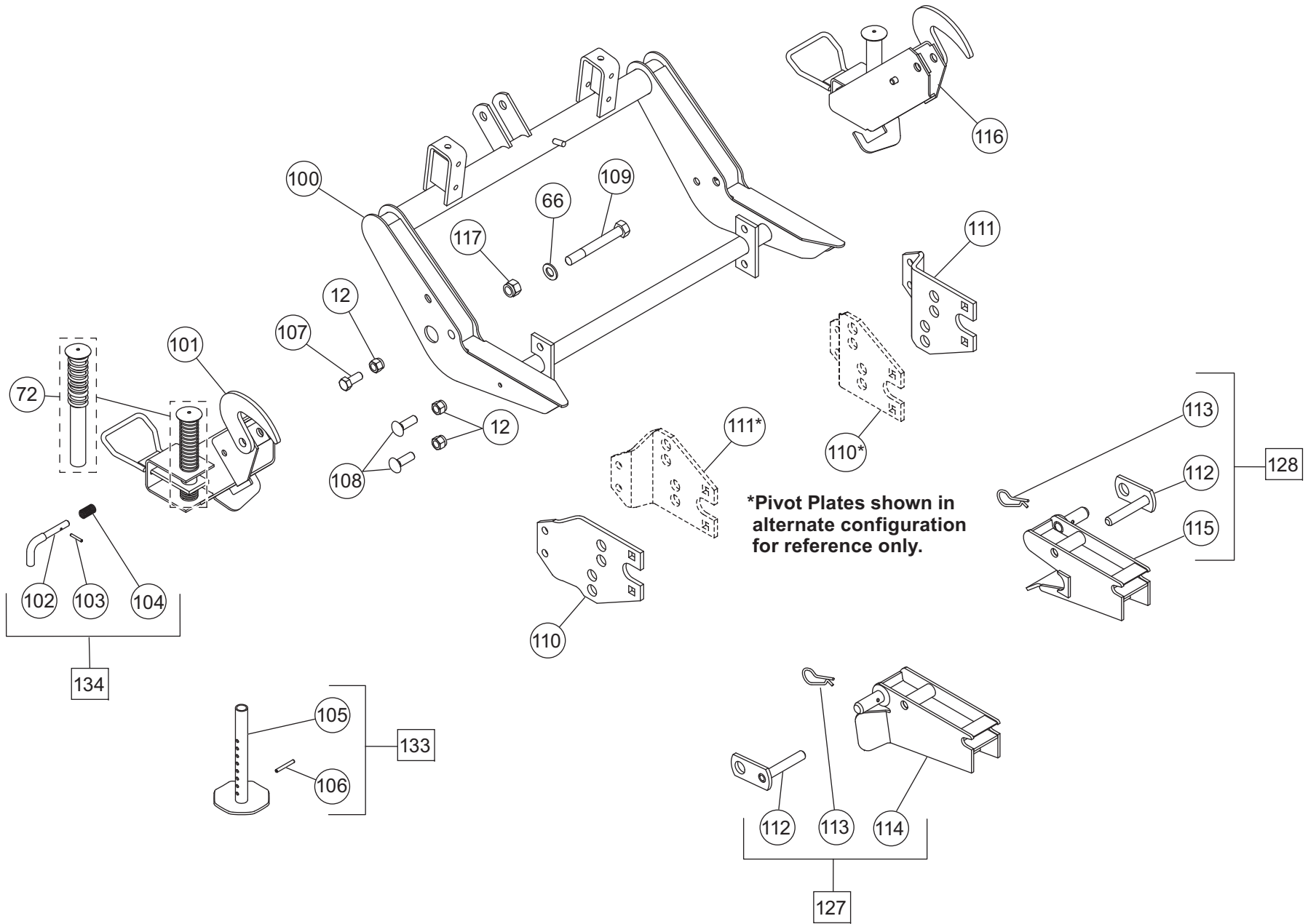
| A-Frame Components | | |
|--------------------|--------|-------------------------------|
| Item | Part | Description |
| 80 | 67974 | Pivot Pin DS |
| 81 | 67977 | Pivot Pin PS |
| 83 | 66920 | A-Frame |
| 84 | 63978 | Pivot Bolt Kit – PP |
| 85 | 63973 | Ram Pin Kit |
| 92 | 49033 | Replacement Chain Assembly |
| 93 | 67855 | Pivot Bolt Kit |
| 130 | 67842 | Pivot Bar Kit |
| 90 | 64148* | Ram |
| 141 | 56615 | Elbow Kit, 90°–6M O-Ring/MJIC |

* For further breakdown of parts, see Hydraulic Parts List

| Item 84 63978 Pivot Bolt Kit – PP | | | |
|--|-------|-----|--------------------------------|
| Item | Part | Qty | Description |
| 13 | 91192 | 3 | Round Flat Washer – Special |
| 64 | 91340 | 1 | 1-8 Hex Locknut GB |
| 65 | | 1 | 1-8 x 9 Hex Cap Screw Steel G5 |
| Item 85 63973 Ram Pin Kit | | | |
| 13 | 91192 | 1 | Round Flat Washer – Special |
| 69 | 91911 | 1 | 5/32 x 1-1/2 Cotter Pin |
| 73 | 93074 | 1 | 1 x 3-1/4 Clevis Pin |
| Item 92 49033 Replacement Chain Assembly | | | |
| 74 | 65508 | 1 | Plastic Tube |
| 75 | | 1 | 1/4 x 35 Chain |
| 76 | 90571 | 1 | 3/8-16 x 1-1/2 U-Bolt |
| 77 | 91333 | 2 | 3/8-16 Hex Locknut GB |
| Item 93 67855 Pivot Bolt Kit | | | |
| 64 | 91340 | 1 | 1-8 Hex Locknut GB |
| 78 | 67748 | 1 | 1-8 Hex Jam Nut G5 |
| 79 | 67552 | 1 | 1-8 x 7 Hex Cap Screw G5 |
| Item 130 67842 Pivot Bar Kit | | | |
| 64 | 91340 | 1 | 1-8 Hex Locknut GB |
| 78 | 67748 | 1 | 1-8 Hex Jam Nut G5 |
| 79 | 67552 | 1 | 1-8 x 7 Hex Cap Screw G5 |
| 82 | | 1 | Pivot Bar |
| G = Grade | | | |

Items without part numbers are not available for individual sale.

www.storksplows.com
PRO PLUS® LOWER LIFT FRAME



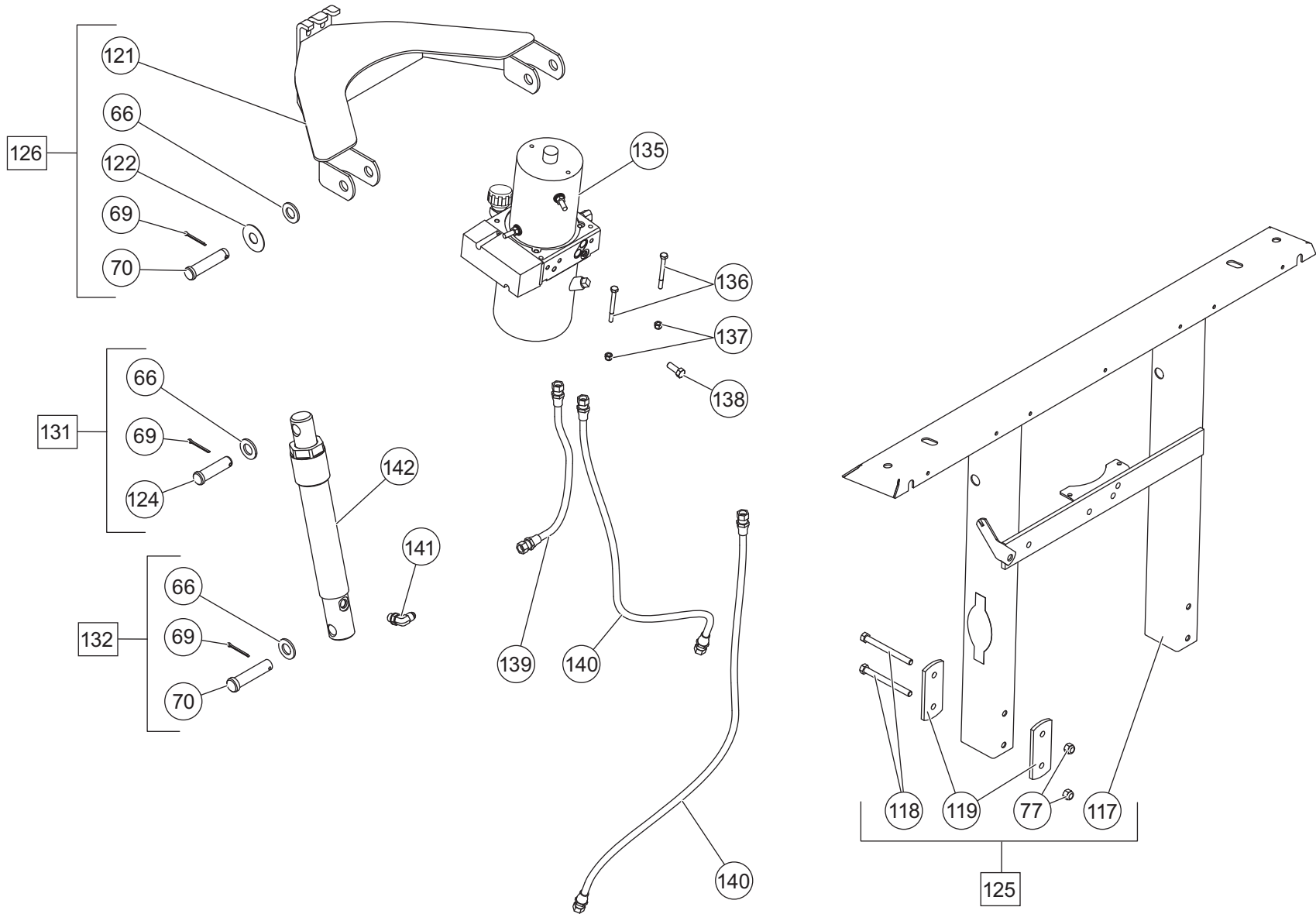
www.storksplows.com
PRO PLUS® LOWER LIFT FRAME

| Lower Lift Frame Components | | |
|------------------------------------|-------------|---------------------------------|
| Item | Part | Description |
| 12 | 91337 | 5/8-11 Hex Locknut GB |
| 66 | 91147 | 3/4 Flat Washer |
| 100 | 67556-1 | Lift Frame, Lower |
| 101 | 67845 | Stand Assembly DS |
| 107 | 90127 | 5/8-11 x 1-1/2 Hex Cap Screw G5 |
| 108 | 5572 | 5/8-11 x 2 Carriage Bolt G5 |
| 109 | 66451 | 3/4-10 x 6 Hex Cap Screw G5 |
| 110 | 67707 | Pivot Plate A |
| 111 | 67708 | Pivot Plate B |
| 115 | 48523 | Plunger w/ Spring |
| 116 | 67846 | Stand Assembly PS |
| 117 | 91338 | 3/4-10 Hex Locknut GB |
| 118 | 67727 | Round Flat Washer – Special |
| 127 | 67858 | Receiver Kit DS |
| 128 | 67859 | Receiver Kit PS |
| 133 | 67847 | Stand Shoe Kit |
| 134 | 67844 | Stand Lock Pin Kit |
| G = Grade | | |

| Item 127 67858 Receiver Kit DS | | | |
|---|-------------|------------|-------------------------|
| Item | Part | Qty | Description |
| 112 | 67665 | 1 | Pin, Receiver |
| 113 | 91965K | 1 | 5/32" Hairpin Cotter |
| 114 | | 1 | Receiver DS |
| Item 128 67859 Receiver Kit PS | | | |
| 112 | 67665 | 1 | Pin, Receiver |
| 113 | 91965K | 1 | 5/32" Hairpin Cotter |
| 115 | | 1 | Receiver PS |
| Item 133 67847 Stand Shoe Kit | | | |
| 105 | | 1 | Stand Shoe |
| 106 | 67635 | 1 | 1/4 x 2 Roll Pin |
| Item 134 67844 Stand Lock Pin Kit | | | |
| 102 | | 1 | Lock Pin |
| 103 | 67700 | 1 | 3/16 x 1-1/4 Roll Pin |
| 104 | 67726 | 1 | Spring, Lock Pin, Stand |

Items without part numbers are not available for individual sale.

www.storksplows.com
PRO PLUS® UPPER LIFT FRAME



www.storksplows.com
PRO PLUS® UPPER LIFT FRAME

| Upper Lift Frame Components | | |
|------------------------------------|-------------|---------------------------------|
| Item | Part | Description |
| 125 | 67853-1 | Upper Lift Frame Kit |
| 126 | 67850-1 | Lift Arm Kit |
| 131 | 66428 | 3/4 x 2-3/4 Clevis Pin Kit |
| 132 | 93063K | 3/4 x 3-1/4 Clevis Pin Kit |
| 135 | 56544* | Hydraulic Unit – FloStat® |
| 136 | 90010 | 1/4-20 x 2-3/4 Hex Cap Screw G5 |
| 137 | 91331 | 1/4-20 Hex Locknut GB |
| 138 | 90039 | 3/8-16 x 1 Hex Cap Screw G5 |
| 139 | 56617 | Hose Kit, 1/4 x 16 w/FJIC Ends |
| 140 | 56616 | Hose Kit, 1/4 x 42 w/FJIC Ends |
| 141 | 56615 | Elbow Kit, 90°–6M O-Ring/MJIC |
| 142 | 56538K* | 1-1/2 x 8 Ram Assy Kit |
| G = Grade | | |

*For further breakdown of parts, see Hydraulic Parts List

| Item 125 67853-1 Upper Lift Frame Kit | | | |
|---|-------------|------------|-----------------------------|
| Item | Part | Qty | Description |
| 77 | 91333 | 4 | 3/8-16 Hex Locknut GB |
| 117 | 67567 | 1 | Upper Lift Frame |
| 118 | | 4 | 3/8-16 x 4 Hex Cap Screw G8 |
| 119 | | 4 | Plate – Upper Lift Frame |
| Item 126 67850-1 Lift Arm Kit | | | |
| 66 | 91147 | 3 | 3/4 Flat Washer |
| 69 | 91911 | 3 | 5/32 x 1-1/2 Cotter Pin |
| 70 | | 2 | 3/4 x 3-1/4 Clevis Pin |
| 121 | | 1 | Lift Arm |
| 122 | 67727 | 2 | Washer – Special |
| 124 | | 1 | 3/4 x 3 Clevis Pin |
| Item 131 64617 Clevis Pin Kit, 3/4 x 3 | | | |
| 66 | 91147 | 3 | 3/4 Flat Washer |
| 69 | 91911 | 1 | 5/32 x 1-1/2 Cotter Pin |
| 124 | | 1 | 3/4 x 3 Clevis Pin |
| Item 132 93063K Clevis Pin Kit, 3/4 x 3-1/4 | | | |
| 66 | 91147 | 3 | 3/4 Flat Washer |
| 69 | 91911 | 1 | 5/32 x 1-1/2 Cotter Pin |
| 70 | | 1 | 3/4 x 3-1/4 Clevis Pin |
| G = Grade | | | |

Items without part numbers are not available for individual sale.

RETAIL COMPONENTS

| Retail Components | |
|-------------------|--|
| Part | Description |
| 66901 | 9.0' Blade Assy |
| 66974 | 8.5' Blade Assy |
| 66980 | 8.0' Blade Assy |
| 64750 | 7.5' Blade Assy |
| 66900 | AQ&L Assy |
| 66490 | A-Frame & Quadrant Assy (AQ&L Box 1 of 2) |
| 67951-2 | Lift Frame & Stands Assy (AQ&L Box 2 of 2) |
| 63999 | FloStat® Hydraulic System 12" Ram |
| 67953-2 | Bolt Bag (67951-2) (See detail at right) |
| 66970 | Bolt Bag (66490) (See detail at right) |

| 67953-2 Bolt Bag (not shown) | | | |
|------------------------------|--------|-----|-----------------------------|
| Item | Part | Qty | Description |
| 13 | 91192 | 7 | Round Flat Washer – Special |
| 65 | | 1 | 1-8 x 9 Hex Cap Screw G5 |
| 66 | 91147 | 6 | 3/4 Flat Washer |
| 69 | 91911 | 4 | 5/32 x 1-1/2 Cotter Pin |
| 70 | | 3 | 3/4 x 3-1/4 Clevis Pin |
| 77 | 91333 | 4 | 3/8-16 Hex Locknut GB |
| 106 | 67635 | 1 | 1/4 x 2 Roll Pin |
| 109 | 66451 | 2 | 3/4-10 x 6 Hex Cap Screw G5 |
| 113 | 91965K | 2 | 5/32" Hairpin Cotter |
| 117 | 91338 | 2 | 3/4-10 Hex Locknut GB |
| 118 | | 4 | 3/8-16 x 4 Hex Cap Screw G8 |
| 119 | | 4 | Plate – Upper Lift Frame |
| 120 | 67727 | 2 | Round Flat Washer – Special |
| 123 | | 1 | 3/4 x 2-3/4 Clevis Pin |

| 66970 Bolt Bag (not shown) | | | |
|----------------------------|-------|----|---------------------------------|
| 12 | 91337 | 6 | 5/8-11 Hex Locknut GB |
| 13 | 91192 | 7 | Round Flat Washer – Special |
| 62 | 90490 | 4 | 5/8-11 x 4 Eyebolt G2 |
| 63 | 91416 | 8 | 5/8-11 Hex Nut G5 |
| 64 | 91340 | 2 | 1-8 Hex Locknut GB |
| 65 | | 1 | 1-8 x 9 Hex Cap Screw G5 |
| 66 | 91147 | 7 | 3/4 Flat Washer |
| 67 | 63211 | 4 | .758 ID x 1 OD x .5 LG Spacer |
| 68 | | 5 | 3/4 x 4 Clevis Pin |
| 69 | 91911 | 11 | 5/32 x 1-1/2 Cotter Pin |
| 70 | | 2 | 3/4 x 3-1/4 Clevis Pin |
| 73 | 93074 | 4 | 1 x 3-1/4 Rivet G5 |
| 78 | 67748 | 1 | 1-8 Hex Jam Nut G5 |
| 107 | 90127 | 2 | 5/8-11 x 1-1/2 Hex Cap Screw G5 |
| 108 | 5572 | 4 | 5/8-11 x 2 Carriage Bolt G5 |

G = Grade

Items without part numbers are not available for individual sale.



Western Products
PO Box 245038
Milwaukee, WI 53224-9538
www.westernplows.com

 A DIVISION OF DOUGLAS DYNAMICS, L.L.C.

Copyright © 2010 Douglas Dynamics, L.L.C. All rights reserved. This material may not be reproduced or copied, in whole or in part, in any printed, mechanical, electronic, film or other distribution and storage media, without the written consent of Western Products. Authorization to photocopy items for internal or personal use by Western Products outlets or snowplow owner is granted.

Western Products reserves the right under its product improvement policy to change construction or design details and furnish equipment when so altered without reference to illustrations or specifications used. Western Products or the vehicle manufacturer may require or recommend optional equipment for snow removal. Do not exceed vehicle ratings with a snowplow. Western Products offers a limited warranty for all snowplows and accessories. See separately printed page for this important information. The following are registered (®) or unregistered (™) trademarks of Douglas Dynamics, L.L.C.: CONTRACTOR GRADE®, FloStat®, PRO PLUS®, ULTRAFINISH™, UltraMount® and WESTERN®.

Printed in U.S.A.