



WESTERN PRODUCTS  
 P.O. BOX 245038  
 MILWAUKEE, WI 53224-9538  
 www.westernplows.com

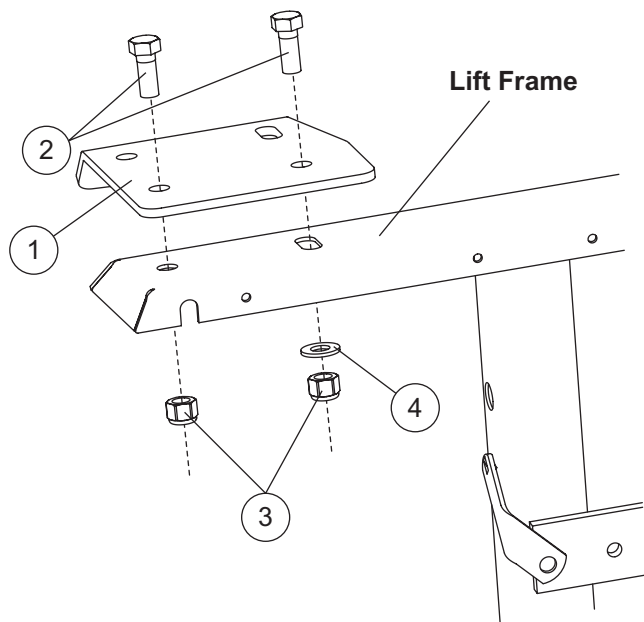
**DD** A DIVISION OF DOUGLAS DYNAMICS, L.L.C.

68210

**HEADLAMP EXTENSION BRACKET KIT**

Parts List & Installation Instructions

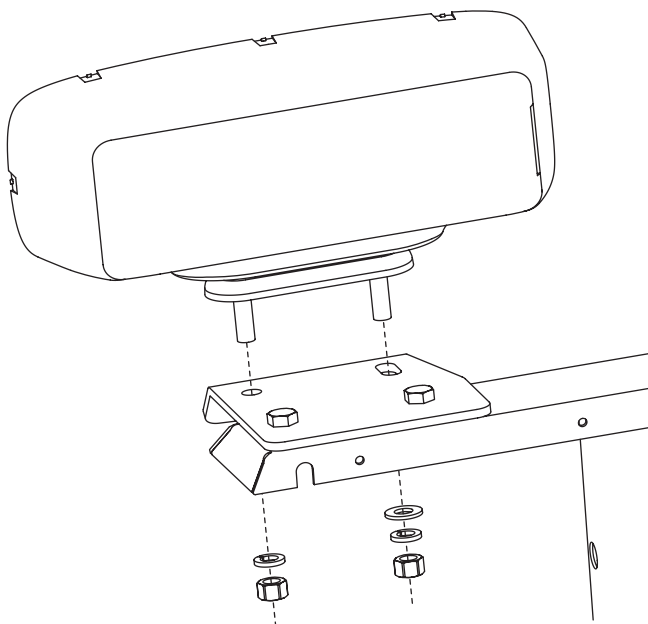
**PARTS LIST**



**NOTE:** Follow the instructions included with the A,Q&L kit until instructed to install the headlamps. Prior to installing the headlamps, perform the following steps.

1. Attach the headlamp extension brackets to the lift frame as shown using the 1/2" cap screws included with this kit.
2. Place one 1/2" washer on the innermost cap screw on each side (slotted hole).
3. Attach a 1/2" locknut to each cap screw, and fully tighten fasteners to 75 ft-lb.
4. Complete headlamp and snowplow installation as instructed in the A,Q&L kit instructions. Fully tighten fasteners to 50 ft-lb.

68210 Headlamp Extension Bracket Kit			
Item	Part	Qty	Description
1	68212	1	Headlamp Extension Bracket – DS
ns	68211	1	Headlamp Extension Bracket – PS
2	90575	4	1/2-13 x 1-1/4 Hex Cap Screw G5
3	91335	4	1/2-13 Hex Locknut GB
4	90572	2	1/2 Hardened Flat Washer
G = grade			



**INSTALLATION INSTRUCTIONS**

**⚠ CAUTION**

Read this document before installing the headlamp extension bracket.

**⚠ CAUTION**

Use standard methods and practices when attaching snowplow and installing accessories including proper personal protective safety equipment.

## 68210 HEADLAMP EXTENSION BRACKET KIT

---

Copyright © 2007 Douglas Dynamics, L.L.C. All rights reserved. This material may not be reproduced or copied, in whole or in part, in any printed, mechanical, electronic, film or other distribution and storage media, without the written consent of Western Products. Authorization to photocopy items for internal or personal use by Western Products outlets or snowplow owner is granted.

Western Products reserves the right under its product improvement policy to change construction or design details and furnish equipment when so altered without reference to illustrations or specifications used. Western Products or the vehicle manufacturer may require or recommend optional equipment for snow removal. Do not exceed vehicle ratings with a snowplow. Western Products offers a limited warranty for all snowplows and accessories. See separately printed page for this important information. The following are registered (®) or unregistered (™) trademarks of Douglas Dynamics, L.L.C.: UltraMount®, WESTERN®.