

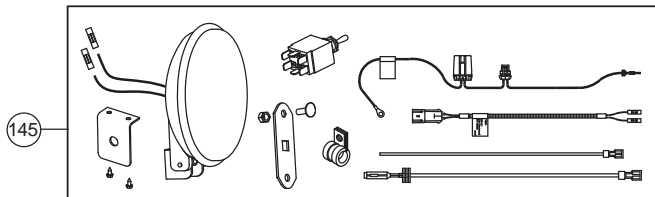
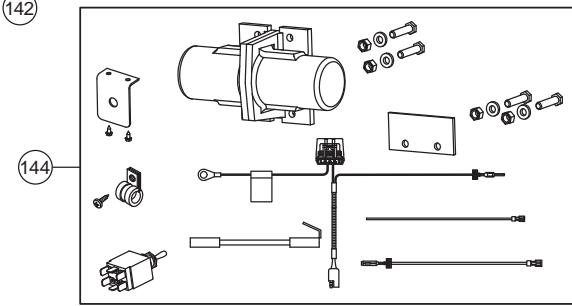
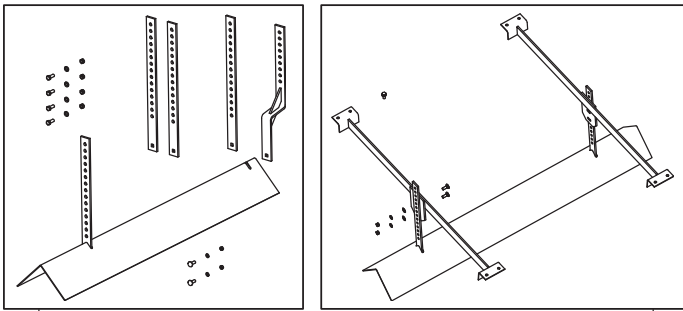
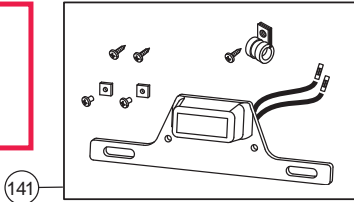
Tornado

SERVICE PARTS

www.storksplovs.com

For more information, see complete parts lists at www.westernplows.com: no. 96110 (1.25 cu yd Tornado™ Hopper Spreader 96000) and no. 94205 (1.5, 1.8 & 2.5 cu yd Tornado Hopper Spreader 78000/78003/78006).

Tornado Hopper Spreader Accessories



ACCESSORIES KITS

Item	Part	Description	Item	Part	Description
141	78197	License Plate Light Kit - 1.5, 1.8 & 2.5 cu yd	144	78195	Vibrator Kit - 1.5, 1.8 & 2.5 cu yd hoppers
142	78150	Inverted Vee Kit - 1.5 cu yd hopper	145	78198	Work Light Kit - 1.5, 1.8 & 2.5 cu yd hoppers
143	78120	Inverted Vee Kit - 1.8 & 2.5 cu yd hoppers	ns	96042	Top Screen Fastener Repair Kit - 1.25 cu yd hopper
143	95970	Inverted Vee Kit - 1.25 cu yd hopper			

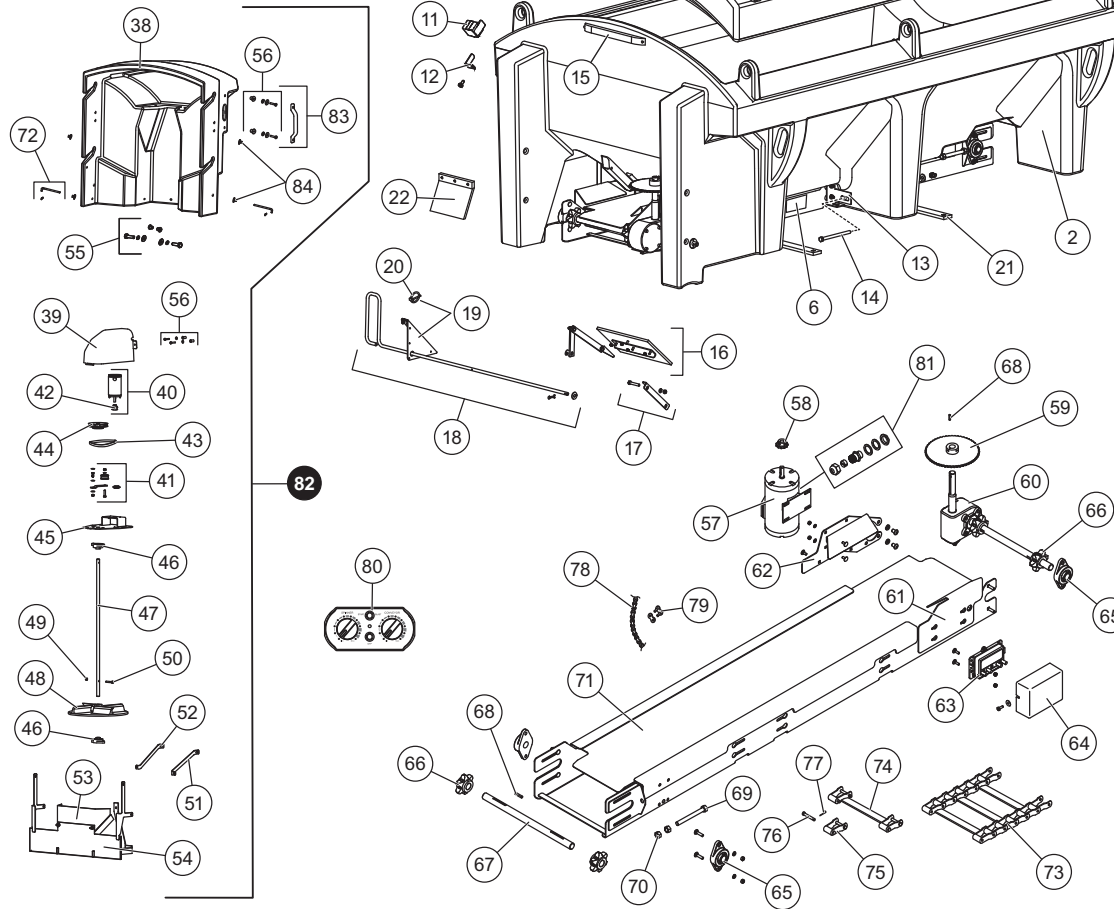
Western Products

www.westernplows.com • Technical Service: 866-334-3800
P.O. Box 245038, Milwaukee, WI 53224-9538
Use only genuine WESTERN® replacement parts.

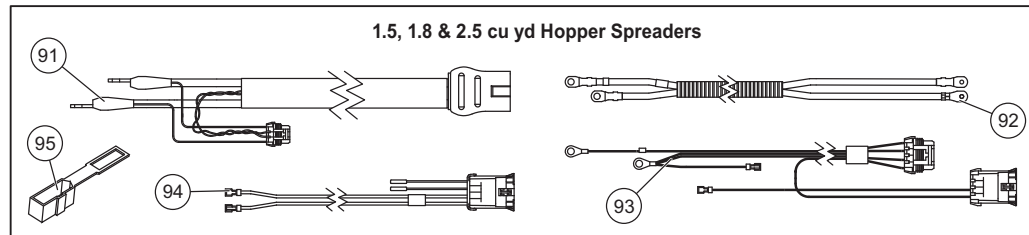
Copyright © 2013 Douglas Dynamics, LLC. All rights reserved. This material may not be reproduced or copied, in whole or in part, in any printed, mechanical, electronic, film or other distribution and storage media, without the written consent of Western Products. Authorization to photocopy items for internal or personal use by Western Products outlets or spreader owner is granted.

Western Products reserves the right under its product improvement policy to change construction or design details and furnish equipment when so altered without reference to illustrations or specifications used. Western Products or the vehicle manufacturer may require or recommend optional equipment for spreaders. Do not exceed vehicle ratings with a spreader. Western Products offers a limited warranty for all spreaders and accessories. See separately printed page for this important information. The following are registered (®) or unregistered (™) trademarks of Douglas Dynamics, LLC: Tornado™, WESTERN®.

1.5, 1.8 or 2.5 cu yd Tornado Hopper Spreader



1.5, 1.8 & 2.5 cu yd Hopper Spreaders



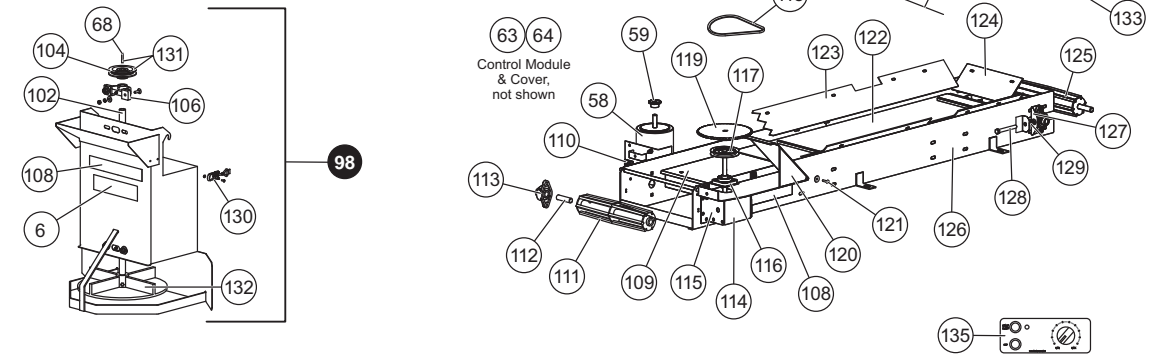
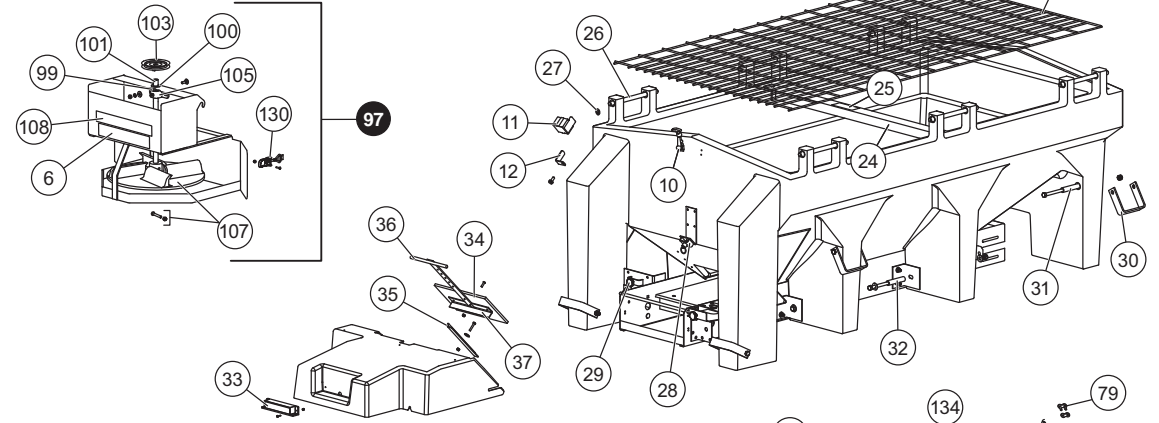
HOPPER COMPONENTS

Item	Part	Description	Item	Part	Description	Item	Part	Description
1	78018	Poly Hopper Lid 7' (DS)	10	65224	Strap, Rubber Hold-Down Assembly	24	96380-1	Top Screen Brace with Labels
2	78019	Poly Hopper Lid 8' (DS)	11	61246	Cable Boot	25	67272	Label - Information (Caution)
ns	78020	Poly Hopper Lid 7' (PS)	12	6289	Boot Bracket	26	95817	Hinge Pin
ns	78021	Poly Hopper Lid 8' (PS)	13	78119	Hopper Mounting Bracket (PS)	27	95818	Hinge Pin Retainer
2	78012	Poly Hopper Body 7'	ns	78133	Hopper Mounting Bracket (DS)	28	95897	Feed Gate Latch
3	78226	Poly Hopper 8' Collar	14	78203	1/2-13 x 7-1/2 Hex Cap Screw SS	29	67158	1/4-20 x 1 Thumb Screw SS
ns	78242	Poly Hopper Collar Hardware Kit	15	78048	CHMSL Kit (incl. fasteners)	30	95848	Handle
4	78115	Top Screen, 7' (Painted)	16	78118	Feed Gate Assembly Kit (incl. subassembly)	31	95812	5" Sleeve
5	78117-1	Top Screen Support, Adjustable w/Label (67272)	17	78083	Feed Gate Guide w/ Fasteners Kit	32	95830	4" Sleeve
6	68584	Label - Warning/Caution, Spreaders	18	78094	Feed Gate Handle Kit	33	65361	Center High Mounted Stoplight (CHMSL)
7	96038	Wing Bolt	19	78098	Feed Gate Detent Bracket (incl. actuator assembly)	34	95772	Poly Feed Gate
8	93010	7/16 Linchpin	20	93042K	3/16 Linchpin	35	95773	Feed Gate Guide
9	78097	Washer 2.5 OD x 1.53 ID SS	21	78109	Mounting Bar (incl. fasteners)	36	95899	Feed Gate Handle
			22	78177	Sprocket Shield Kit	37	95768	Feed Gate Stiffener
			23	95846-2	Top Screen - 1.25 cu yd hopper			

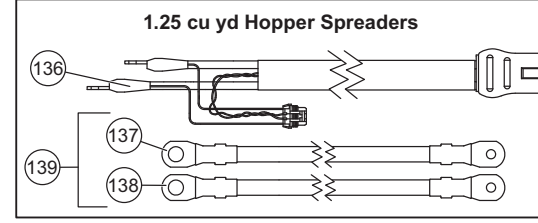
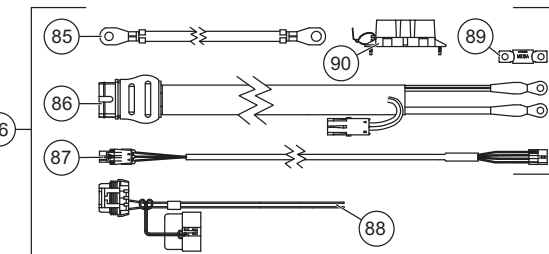
ns = not shown

SS = Stainless Steel

1.25 cu yd Tornado Hopper Spreader



Vehicle-Only Components Kits



DRIVE COMPONENTS

Item	Part	Description	Item	Part	Description	Item	Part	Description
38	78022	Chute Cover	73	78076	Pinile Chain (99 links)	107	94511	Poly Spinner Kit
39	78287	Chute Motor Cover	74	94898	Pinile Chain (108 Links)	108	68737	Reflective Strip, Red/White
40	78300	Motor 12V DC 1/3 hp (incl. item 43)	74	68492	Conveyor Repair Bar w/Pins and Cotter	109	95769	Poly Floor
41	78298	Idler Kit	75	68475	Conveyor Repair Link w/Pins and Cotter	110	95730	Motor Brace
42	93101	10-Tooth Cogged Belt Pulley	76	41743	Conveyor Chain Pin w/Cotter	111	68605	Conveyor Roller, Drive
43	78285	Gear Belt	77	91897	3/32 x 1/2 Cotter Pin	112	65753	Stub Shaft, Conveyor Roller
44	78066	40-Tooth Cogged Belt Pulley 3/4 Bore	78	78075	#40 Chain with Master Link	113	68619	Flange Bearing 3/4 Bore
45	78297	Chute Motor Base Plate	79	95894	#40 Chain Master Link	114	95756	Gear Box 20:1
46	96167	Pillow Block Bearing 3/4 Bore	80	78102	Cab Control - 1.5, 1.8 & 2.5 cu yd hoppers	115	95809	Gear Box Mounting Bracket
47	78283	Spinner Shaft	ns	78246	Control Bracket Kit	116	68662	Flange Bearing 4-Bolt, 5/8 Bore
48	94424	Spinner, Poly	81	78201	Seal Kit	117	65765	Pulley, 4-1/2 x 5/8 Bore
49	91430	5/16-18 Hex Nut SS	82	78229-1	Full Chute Assembly	118	94691	V-Belt
50	94495	5/16-18 x 2-1/4 Hex Cap Screw SS	83	78247	Chute Handle Kit	119	95776	55-Tooth Sprocket #40
51	78301	Brace, DS	84	78262	Chute Attachment Sleeve Kit	120	95814	Gear Box Cover
52	78302	Brace, PS	85	22511K	22" Battery Cable	121	68067	1/4-20 x 1 Hex Cap Screw SS
53	78294	Deflector	86	29217	Vehicle Power Cable	122	95757-1	Cleated Conveyor Belt
54	78130	Spinner Guard	87	29221	Vehicle-Side Control Harness	123	95770-1	Side Belt Guard
55	78268	3/8 Well Nut Fastener Kit	88	78199	CHMSL Harness Kit - 1.5, 1.8, 2.5 cu yd hoppers	124	95771	Front Belt Guard
56	78270	1/4 Well Nut Fastener Kit	89	95836	Fuse, 100 Amp	125	95963	Idler Roller Assembly, Conveyor
57	95755-2	Motor 12V DC, 1/2 hp	90	95837	Fuse Holder	126	95930	Conveyor Sill with Labels
58	95777	Sprocket, #40 x 11T x 5/8	91	48908	Spreader Power Cable	127	95762	Bearing Plate
59	78057	Sprocket, #40 x 55T x 1	92	78103	Wiring - Module to Conveyor Motor	128	68620	1/2-13 x 4 Take-Up Bolt SS
60	95567	Gear Case 20:1	93	78104	Wiring - Module to Spinner Connector & CHMSL	129	67295	1/2-13 Hex Nut SS
61	78131	Chain Guard, Rear (DS)	94	78105	Wiring - Spinner Connector to Spinner Motor	130	95819	Draw Latch
62	78132	Chain Guard, Rear (PS)	95	61548K	Plug Cover Kit	131	95943	Pulley Kit, 4-1/2 x 1 Bore
63	78178-1	Control Module - Dual Motor	96	78204	Vehicle-Only Components Kit - 1.5, 1.8 & 2.5 cu yd hoppers (Does not include Cab Control)	132	94513	Spinner, Poly Service Kit 14.5"
64	78108	Module Cover	97	95785	Chute & Spinner Assembly, Standard	133	95778	Drive Chain #40
65	94536	1-1/8 Bearing, 2-Bolt Flange	97	95785	Chute & Spinner Assembly, Extended	134	95929	Conveyor Belt Lacing Pin
66	65909	Drive Sprocket, 6-Tooth	98	95950	Chute & Spinner Assembly, Standard	135	29247	Cab Control - 1.25 cu yd hopper
67	94351	Idler Shaft	99	65777	Locking Collar, 3/4 Bore	136	28585	Spreader Power Cable
68	65174	1/4 x 1-1/2 Machine Key	100	67114	3/4 Thrust Washer	137	29249-1	Cable Assembly, Black
69	65609	5/8-11 x 6 Take-Up Bolt SS	101	95795	Spinner Shaft, Standard Chute	138	29251-1	Cable Assembly, Red
70	91435	5/8-11 Hex Nut	102	95960	Spinner Shaft, Extended Chute	139	29253	Motor Cable Kit
71	78192	Sill 7'	103	95796-1	Pulley, 4-1/2 x 3/4 Bore	140	95744	Vehicle-Only Components Kit - 1.25 cu yd hopper (Does not include Cab Control)
72	78193	Sill 8'	104	95745	Pulley, 4-1/2 x 1 Bore	ns	68794	CHMSL Harness Kit - 1.25 cu yd hopper
			105	65776	Pillow Block Bearing 3/4 Bore	ns	95938	Label - Information (Caution, Module)
			106	65636	Pillow Block Bearing, 1 Bore			

ns = not shown

SS = Stainless Steel