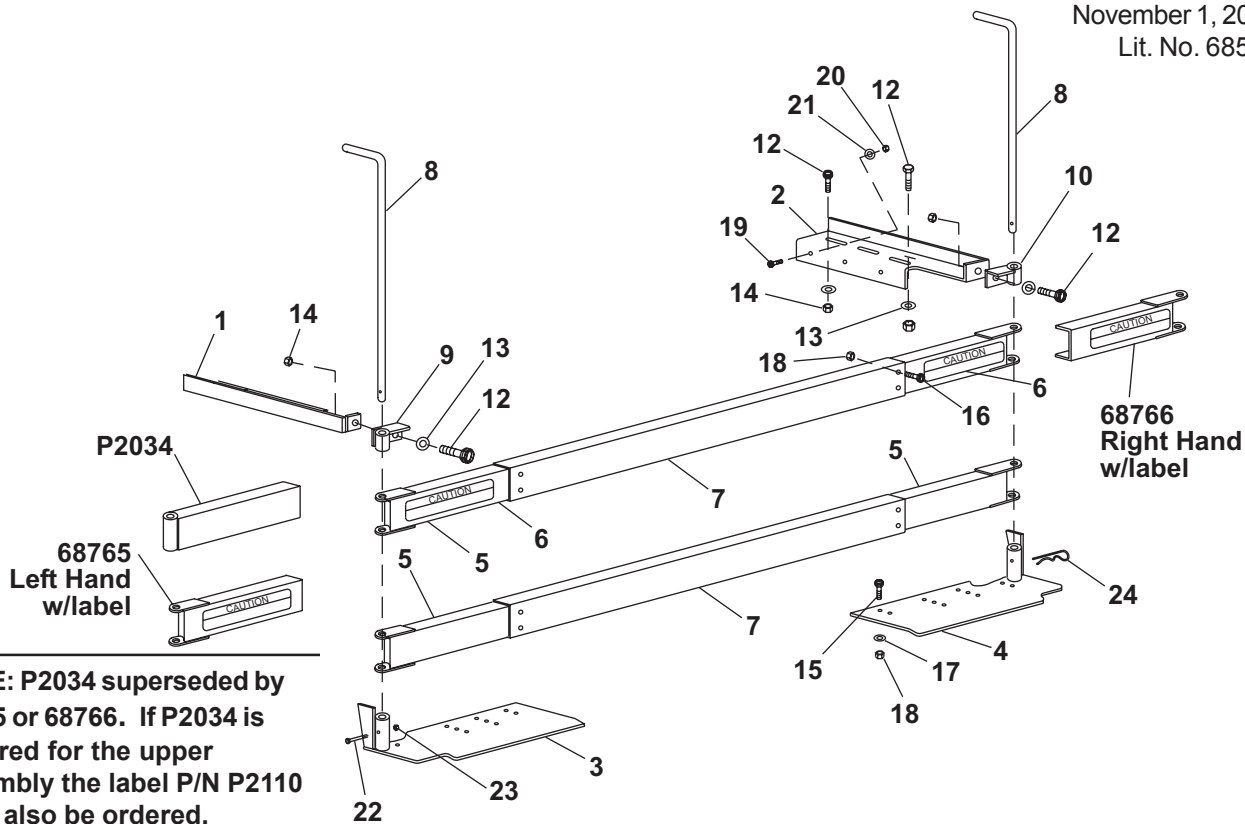


**SWING AWAY® MOUNT KIT**

**67435**

November 1, 2001  
Lit. No. 68519



**NOTE: P2034 superseded by 68765 or 68766. If P2034 is required for the upper assembly the label P/N P2110 must also be ordered.**

SWING AWAY Mount Assembly							
Item	Part	Qty	Description	Item	Part	Qty	Description
1	68702	1	Top Bracket – Driver Side	7	P2039	2	Connector Channel
2	68703	1	Top Bracket – Passenger Side	8	P2038	2	Hinge Pin
3	P2037	1	Base Plate – Driver Side	9	68712	1	Top Swivel Support – Driver Side
4	P2047	1	Base Plate – Passenger Side	10	68761	1	Top Swivel Support – Passenger Side
5	See Note	4	End Channel Assembly		68759	1	Bolt Bag (not shown)
6	P2110	2	Label (Caution)				

Bolt Bag - 68759							
Item	Part	Qty	Description	Item	Part	Qty	Description
12	68762*	6	1/2-13 x 1-3/4 Hex Cap Screw Steel G5 ZYC	19	M2045*	4	5/16-18 x 1-1/4 Hex Cap Screw Steel G5 ZYC
13	M2013*	6	1/2" Plain Washer	20	M2018*	4	5/16"-18 Locknut
14	M2014*	6	1/2"-13 Locknut	21	68764*	4	5/16" Plain Washer
15	68763*	6	3/8-16 x 1-3/4 Hex Cap Screw Steel G5 ZYC	22	68596*	1	1/4-20 x 1-3/4 Hex Cap Screw Steel G5 ZYC
16	M2071-1*	8	3/8-16 x 1-1/4 Hex Cap Screw Stainless	23	M2006*	1	1/4"-20 Locknut
17	M2017*	12	3/8" Plain Washer	24	M1386	1	.20 x 3-3/4" Hairpin Cotter
18	M2005*	14	3/8"-16 Locknut				

ZYC = Zinc Yellow Chromate

\* Available as a service parts kit only (5 pieces per package)

Copyright© 2001Douglas Dynamics, L.L.C. All rights reserved. This material may not be reproduced or copied, in whole or in part, in any printed, mechanical, electronic, film or other distribution and storage media, without the written consent of the company. Authorization to photocopy items for internal or personal use by the company's outlets is granted.

The company reserves the right under its product improvement policy to change construction or design details and furnish equipment when so altered without reference to illustrations or specifications used herein. The following is a registered® trademark of Douglas Dynamics, L.L.C.: SWING AWAY®

**Printed in USA**