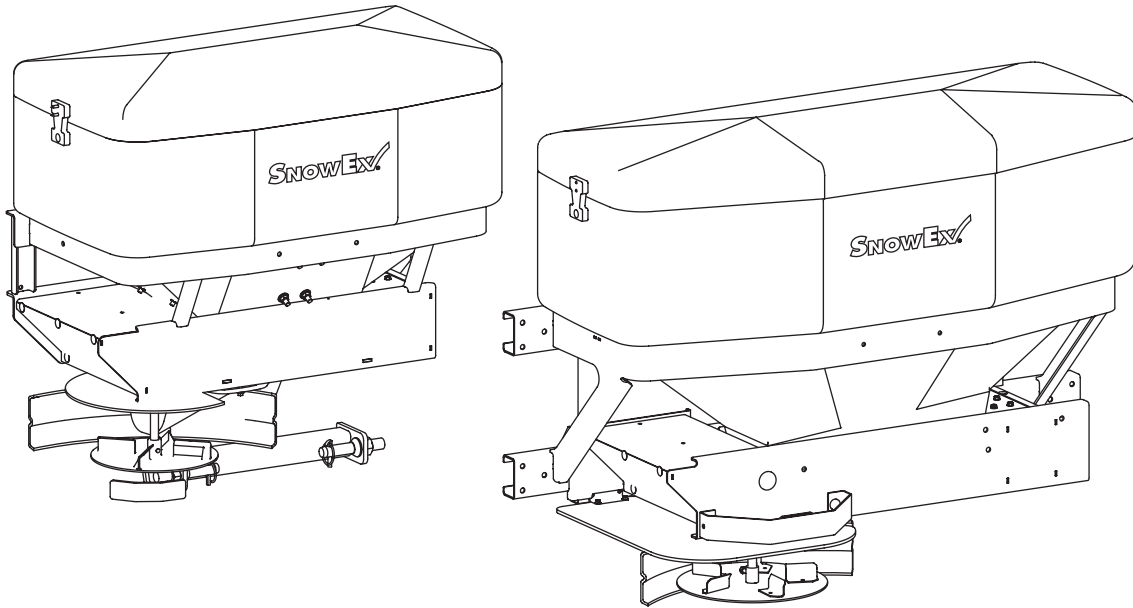




Bulk Pro™ 1575, Bulk Pro 1875 Low-Profile Tailgate Spreader

Hopper and Drive Components
SP-1575-1, SP-1875-1

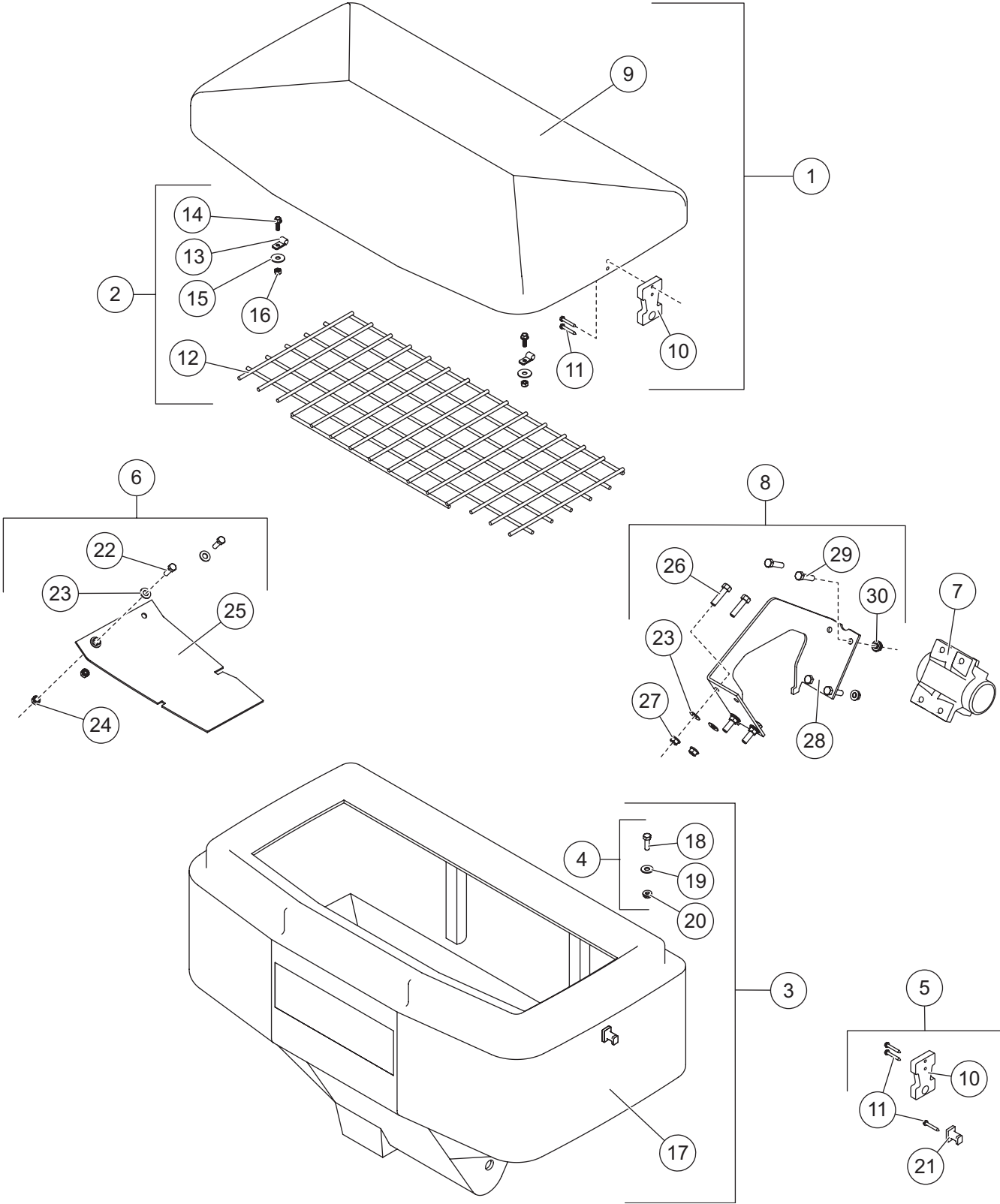
Parts List



This parts list is for SnowEx® Bulk Pro spreaders with serial numbers beginning with 160501 through 170503.

Bulk Pro™ 1575 LOW-PROFILE TAILGATE SPREADER

HOPPER, VIBRATOR & BAFFLE



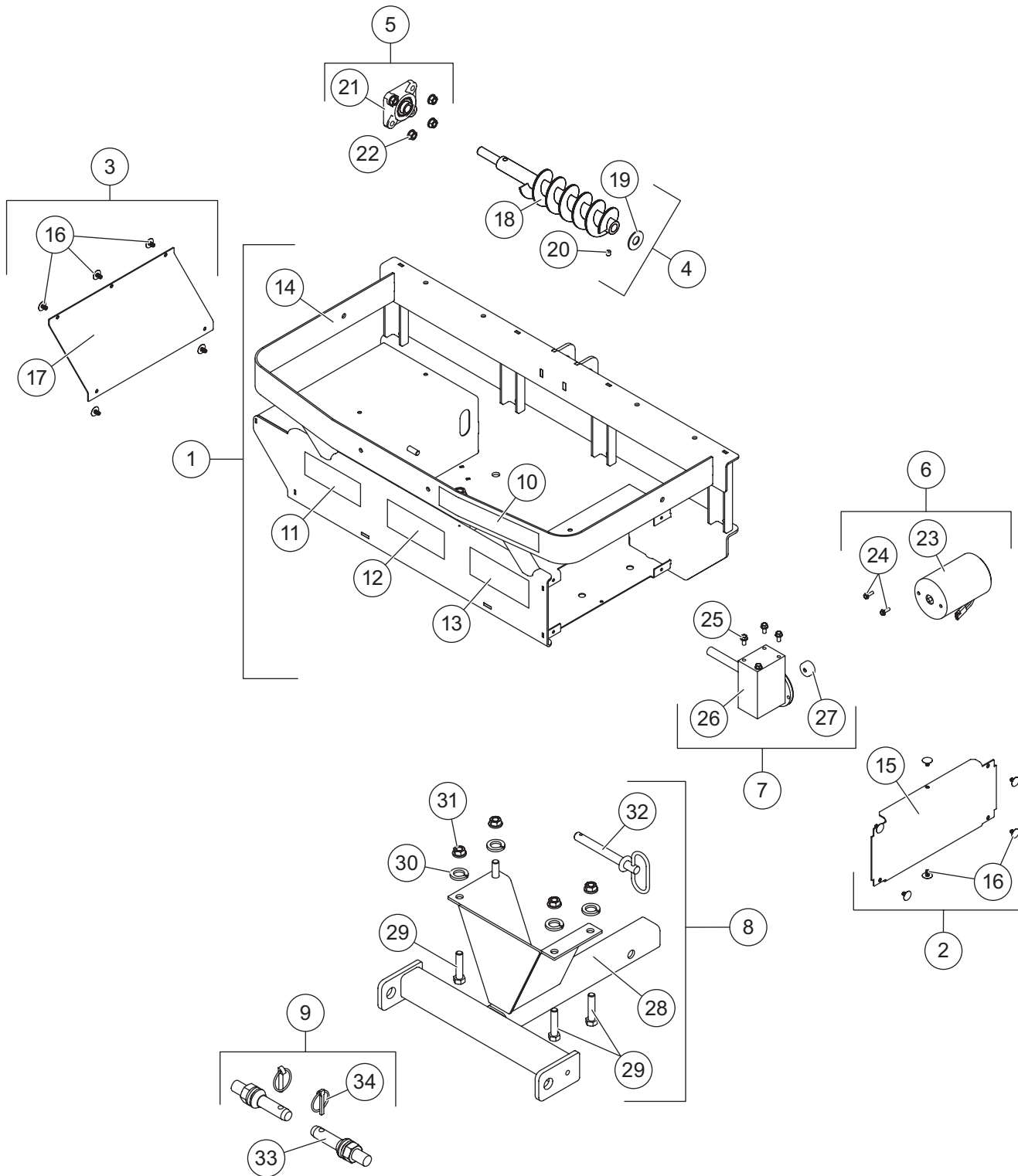
Bulk Pro™ 1575 LOW-PROFILE TAILGATE SPREADER

Hopper, Vibrator & Baffle							
Item	Part	Qty	Description	Item	Part	Qty	Description
1	75630	1	Lid Kit	5	75612	1	Hopper Strap Kit
2	75655	1	Top Screen Kit 30 x 14	6	75657	1	Baffle Kit
3	75652	1	Hopper Kit, SP-1575*	7	75673	1	Vibrator – DC-80
4	75659	1	Hopper Hardware Kit	8	75658	1	Vibrator Mount Kit
Item 1 75630 Lid Kit							
9		1	Lid Assembly	11		4	#10 x 3/4 Hex Washer Head Tapping Screw SS
10		2	Flexible Draw Latch				
Item 2 75655 Top Screen Kit 30 x 14							
12		1	Top Screen 30 x 14	15		2	1/4 x 1 Washer
13		2	5/16 Clamp	16		2	1/4 Hex Locknut SS
14		2	1/4-20 x 3/4 Hex Cap Screw Serrated Flange SS				
Item 3 75652 Hopper Kit SP-1575*							
4	75659	1	Hopper Hardware Kit	17		1	Hopper 5.25 cu ft – Yellow
Item 4 75659 Hopper Hardware Kit							
18		4	5/16-18 x 1 Hex Cap Screw	20		4	5/16-18 Serrated Flange Locknut
19		4	5/16 Flat Washer				
Item 5 75612 Hopper Strap Kit							
10		2	Flexible Draw Latch	21		2	Latch Keeper
11		6	#10 x 3/4 Hex Washer Head Tapping Screw SS				
Item 6 75657 Baffle Kit							
22		2	5/16-18 x 1-1/4 Hex Cap Screw SS	24		2	5/16-18 Hex Locknut SS
23		2	3/8 Flat Washer SS	25		1	Material Baffle Sp-1575
Item 8 75658 Vibrator Mount Kit							
23		4	3/8 Flat Washer SS	28		1	Vibrator Mount Bracket
26		4	3/8-16 x 1 Hex Cap Screw SS	29		4	3/8-16 x 1-1/2 Hex Cap Screw
27		4	3/8-16 Serrated Flange Nut	30		4	3/8-16 Hex Locknut
SS = Stainless Steel							

* Hopper ships with 2 latch keepers installed.

Bulk Pro™ 1575 LOW-PROFILE TAILGATE SPREADER

FRAME, AUGER & HITCH

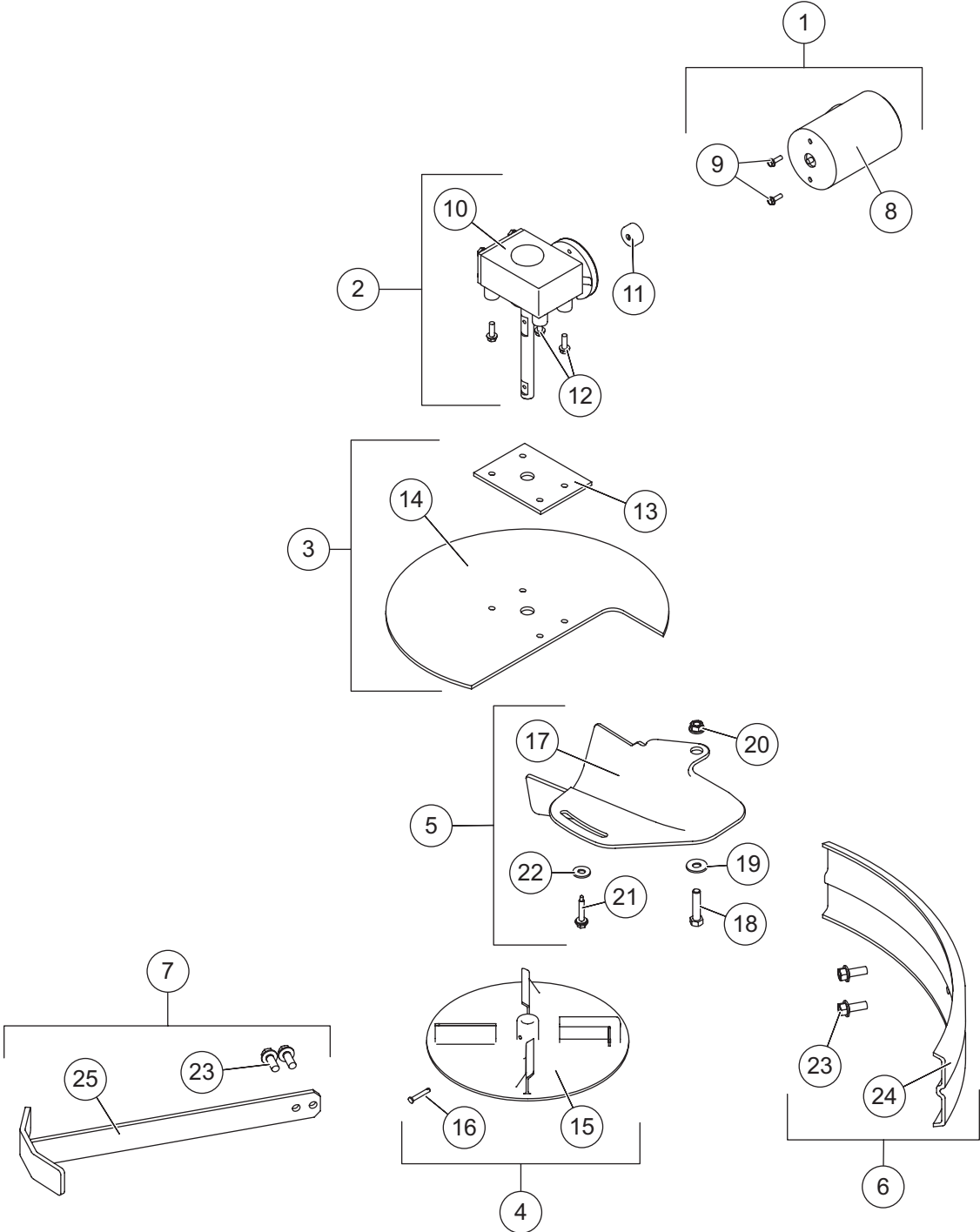


Bulk Pro™ 1575 LOW-PROFILE TAILGATE SPREADER

Frame, Auger & Hitch							
Item	Part	Qty	Description	Item	Part	Qty	Description
1	75653	1	Frame Kit	8	75654	1	Hitch Kit
2	75667	1	Side Cover Kit	9	75666	1	Lift Arm Pin Kit
3	75558	1	Spinner Drive Cover Kit	10	70439	1	Label – Bulk Pro 1575 TG Spreader
4	75661	1	Auger Kit	11	75621	1	Label – Warning, Hands and Feet
5	75660	1	Bearing Kit	12	75669	1	Label – Warning, Rotating Auger
6	75901	1	Motor Kit	13	75623	1	Label – Warning, Read Manual
7	75670	1	Auger Transmission Kit				
Item 1 75653 Frame Kit							
10	70439	1	Label – Bulk Pro 1575, TG Spreader	13	75623	1	Label – Warning, Read Manual
11	75621	1	Label – Warning, Hands and Feet	14		1	Main Frame
12	75669	1	Label – Warning, Rotating Auger				
Item 2 75667 Side Cover Kit							
15		1	Drive Cover	16	D6467	6	1/4 x 3/4 x 1/2 Push Retainer Nylon
Item 3 75558 Spinner Drive Cover Kit							
16	D6467	6	1/4 x 3/4 x 1/2 Push Retainer Nylon	17		1	Spinner Drive Cover
Item 4 75661 Auger Kit							
18		1	2-5/8 x 14 x 1-3/8 Auger	20		1	5/16-18 x 3/8 Socket Head Set Screw
19		1	5/8 Flat Washer Nylon				
Item 5 75660 Bearing Kit							
21	68662	1	5/8 Bearing 4-Bolt Flange	22		4	3/8-16 Serrated Flange Nut
Item 6 75901 Motor Kit							
23		1	Motor 12V DC, 3 x 3.8	24		2	#10-32 x 5/8 Hex Cap Screw Serrated Flange w/Patch
Item 7 75670 Auger Transmission Kit							
25		4	1/4-20 x 3/4 Hex Cap Screw Serrated Flange SS	26		1	Transmission 30:1 Worm Gear
				27	D6232	1	Motor Drive Coupler
Item 8 75654 Hitch Kit							
28		1	Hitch	31		4	1/2-13 Serrated Flange Nut
29		4	1/2-13 x 1-1/2 Hex Cap Screw	32	D4136	1	Hitch Pin
30		4	1/2 Split Lock Washer				
Item 9 75666 Lift Arm Pin Kit							
33		2	7/8 x 5-1/2 Lift Arm Pin	34		2	5/16 x 1-9/16 Linchpin
SS = Stainless Steel							

Bulk Pro™ 1575 LOW-PROFILE TAILGATE SPREADER

SPINNER ASSEMBLY & MATERIAL CHUTE

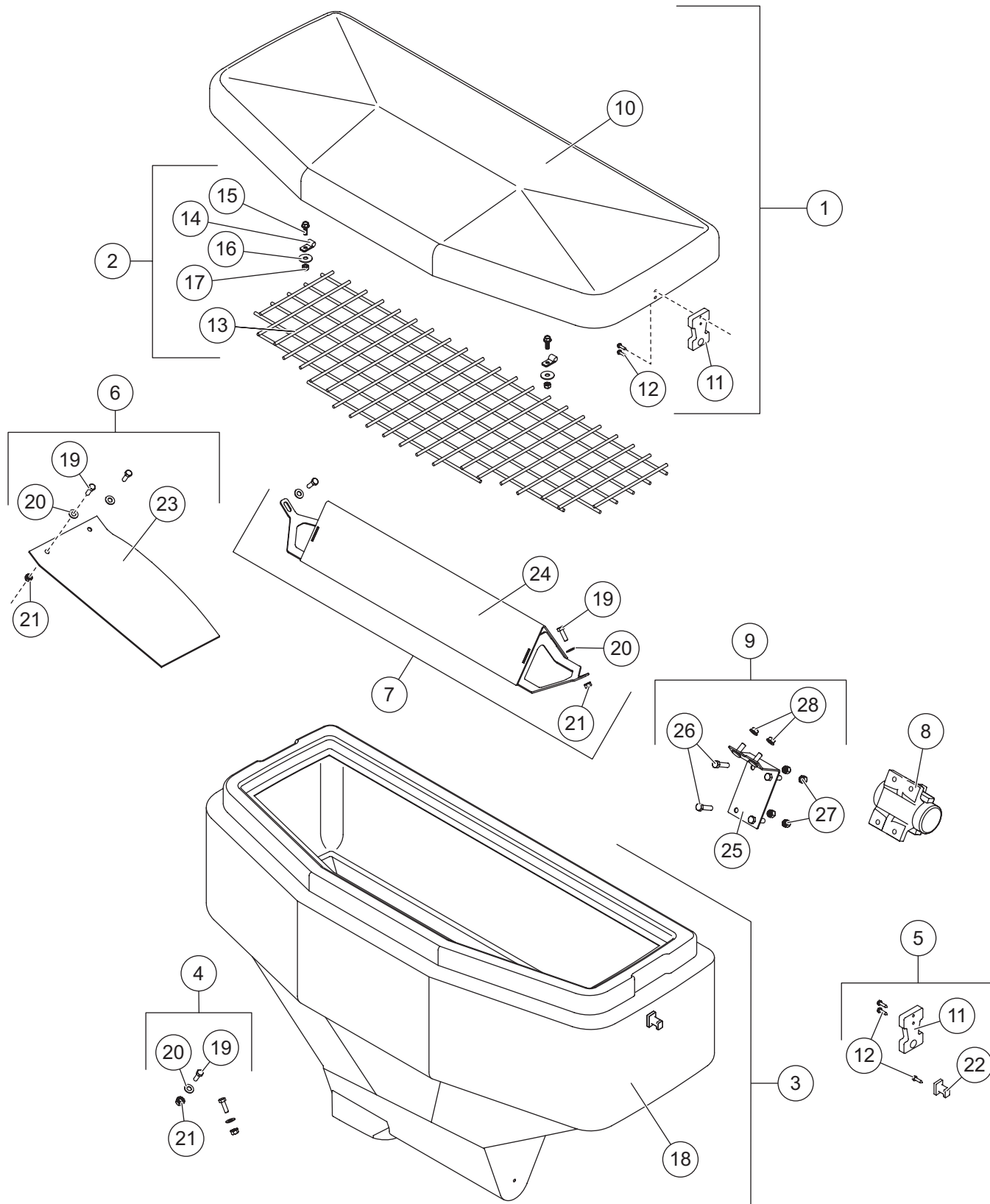


Bulk Pro™ 1575 LOW-PROFILE TAILGATE SPREADER

Spinner Assembly & Material Chute							
Item	Part	Qty	Description	Item	Part	Qty	Description
1	75901	1	Motor Kit	5	75662	1	Material Chute Kit
2	75640	1	Spinner Transmission Kit	6	75665	1	Deflector Kit
3	75663	1	CE Guard Kit	7	75672	1	Protector Foot Kit
4	75618	1	Spinner Kit				
Item 1				75901 Motor Kit			
8		1	Motor 12V DC, 3 x 3.8	9		2	#10-32 x 5/8 Hex Cap Screw Serrated Flange w/Patch
Item 2				75640 Spinner Transmission Kit			
10		1	Transmission 8:1 Worm Gear	12		4	1/4-20 x 3/4 Hex Cap Screw Serrated Flange SS
11	D6232	1	Motor Drive Coupler				
Item 3				75663 CE Guard Kit			
13		1	CE Guard Spacer	14		1	CE Guard
Item 4				75618 Spinner Kit			
15		1	Spinner 10" Poly	16		1	3/16 x 1-1/4 Detent Clevis Pin
Item 5				75662 Material Chute Kit			
17		1	Material Chute	20		1	1/2-13 Serrated Flange Nut
18		1	1/2-13 x 1-1/2 Hex Cap Screw	21		1	1/4 x 1-1/2 Driller w/R-M Washer
19		1	1/2 Flat Washer, Hardened	22		1	5/16 Flat Washer
Item 6				75665 Deflector Kit			
23		2	3/8-16 x 1 Hex Cap Screw Serrated Flange Type F	24		1	Deflector
Item 7				75672 Protector Foot Kit			
23		2	3/8-16 x 1 Hex Cap Screw Serrated Flange Type F	25		1	Spinner Protector Foot
SS = Stainless Steel							

Bulk Pro™ 1875 LOW-PROFILE TAILGATE SPREADER

HOPPER, VIBRATOR & INVERTED V



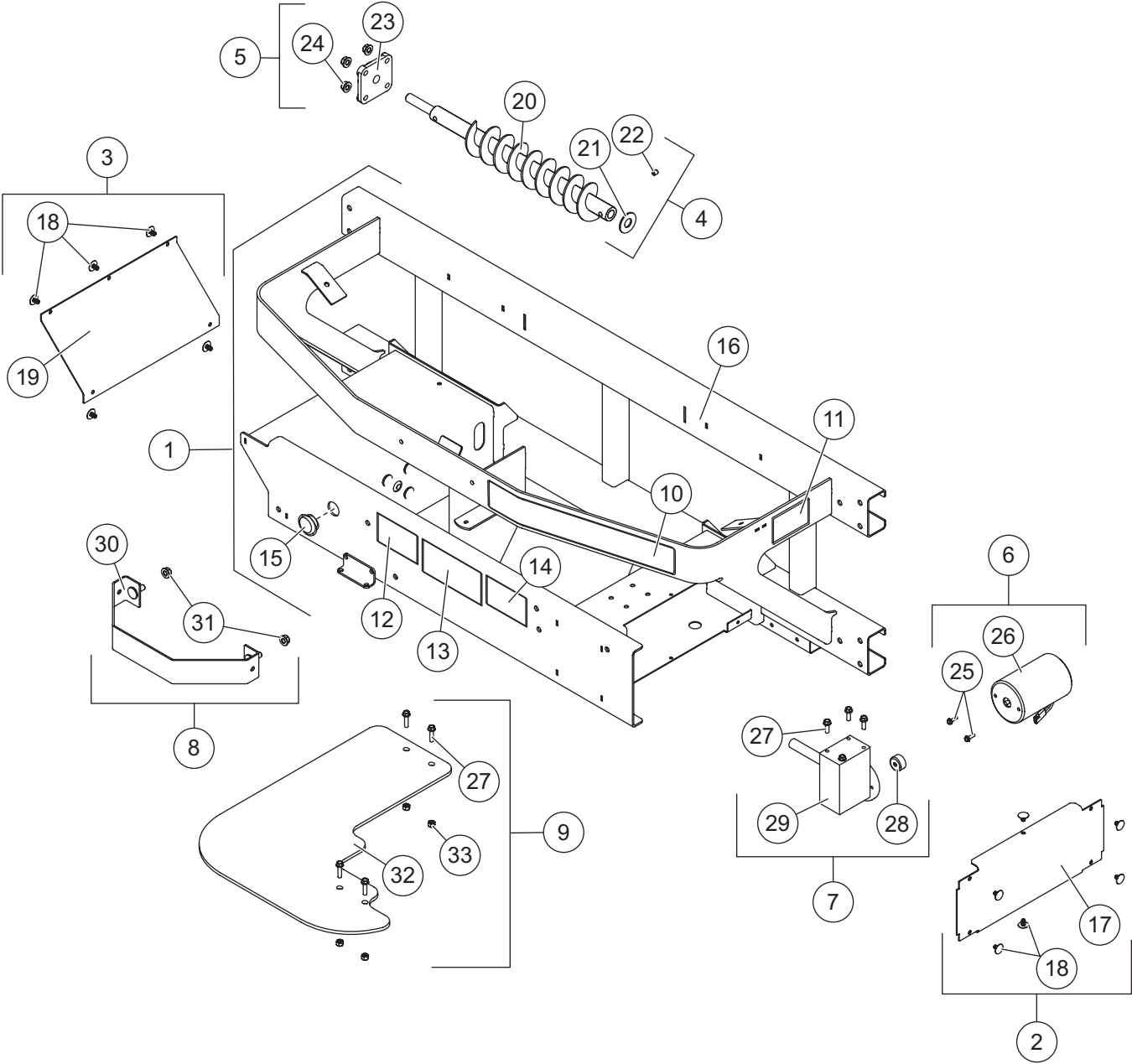
Bulk Pro™ 1875 LOW-PROFILE TAILGATE SPREADER

Hopper, Vibrator & Inverted V							
Item	Part	Qty	Description	Item	Part	Qty	Description
1	75677	1	Lid Kit	6	75681	1	Baffle Kit
2	75680	1	Top Screen Kit	7	75682	1	Inverted V Kit
3	75678	1	Hopper Kit – SP-1875*	8	75673	1	Vibrator – DC-80
4	75614	1	Hopper Hardware Kit	9	75683	1	Vibrator Mount Bracket Kit
5	75612	1	Hopper Strap Kit				
Item 1 75677 Lid Kit							
10		1	Lid Assembly	12		4	#10 x 3/4 Hex Washer Head Tapping Screw SS
11		2	Flexible Draw Latch				
Item 2 75680 Top Screen Kit							
13		1	Top Screen 40 x 14	16		2	1/4 x 1 Washer
14		2	5/16 Clamp	17		2	1/4 Hex Locknut SS
15		2	1/4-20 x 3/4 Hex Cap Screw Serrated Flange SS				
Item 3 75678 Hopper Kit – SP-1875*							
4	75614	1	Hopper Hardware Kit	18		1	Hopper 8.75 cu ft – Yellow
Item 4 75614 Hopper Hardware Kit							
19		2	5/16-18 x 1-1/4 Hex Cap Screw SS	21		2	5/16-18 Hex Locknut SS
20		2	3/8 Flat Washer SS				
Item 5 75612 Hopper Strap Kit							
11		2	Flexible Draw Latch	22		2	Latch Keeper
12		6	#10 x 3/4 Hex Washer Head Tapping Screw SS				
Item 6 75681 Baffle Kit							
19		2	5/16-18 x 1-1/4 Hex Cap Screw SS	21		2	5/16-18 Hex Locknut SS
20		2	3/8 Flat Washer SS	23		1	Material Baffle
Item 7 75682 Inverted V Kit							
19		2	5/16-18 x 1-1/4 Hex Cap Screw SS	21		2	5/16-18 Hex Locknut SS
20		2	3/8 Flat Washer SS	24		1	Inverted V
Item 9 75683 Vibrator Mount Bracket Kit							
25		1	Mounting Bracket, Inverted V	27		4	3/8-16 Hex Locknut
26		4	3/8-16 x 1-1/2 Hex Cap Screw	28		2	3/8-16 Hex Nut Serrated Flange
SS = Stainless Steel							

* Hopper ships with 2 latch keepers installed.

Bulk Pro™ 1875 LOW-PROFILE TAILGATE SPREADER

FRAME, AUGER & SPINNER GUARD

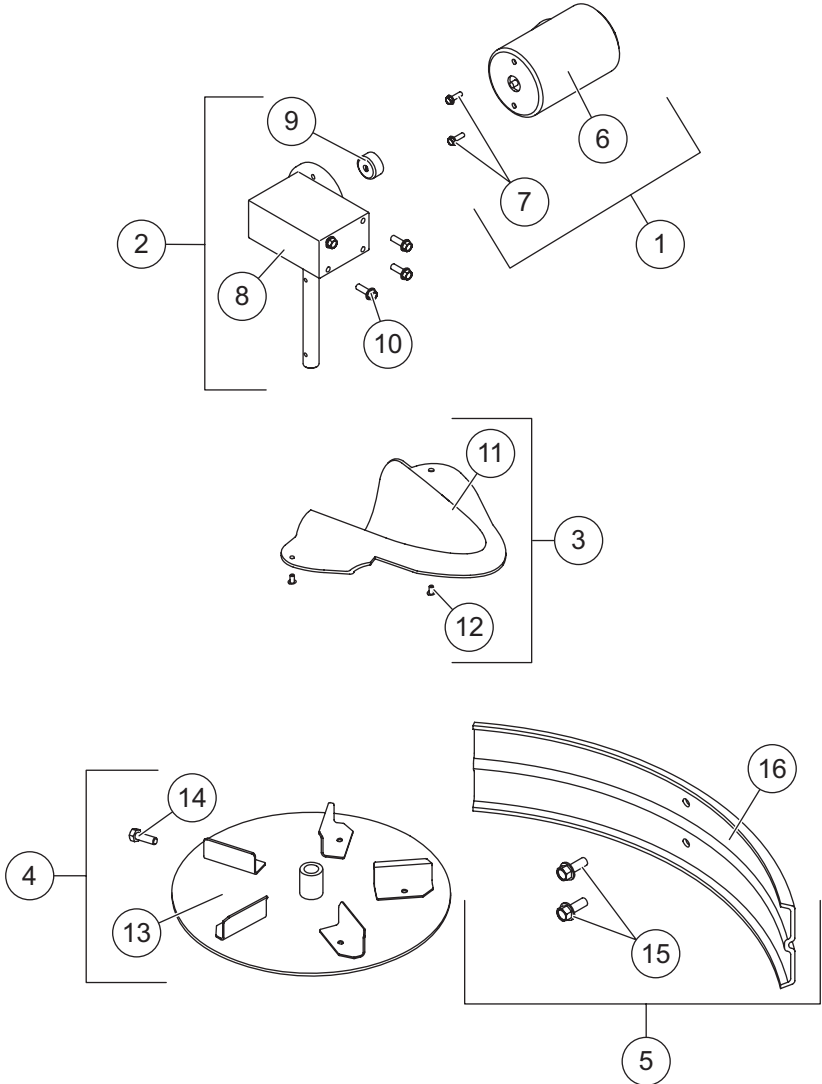


Bulk Pro™ 1875 LOW-PROFILE TAILGATE SPREADER

Frame, Auger & Spinner Guard							
Item	Part	Qty	Description	Item	Part	Qty	Description
1	75684	1	Frame Kit, SP-1875	8	75688	1	Trim Ring Kit
2	75687	1	Side Cover Kit	9	75690	1	Spinner Guard Kit
3	75560	1	Spinner Drive Cover Kit	10	70438	1	Label – Bulk Pro 1875 TG Spreader
4	75679	1	Auger Kit	11	75694	1	Label – Warning, Never Swing Spdr.
5	75660	1	Bearing Kit	12	75621	1	Label – Warning, Hands and Feet
6	75901	1	Motor Kit	13	75669	1	Label – Warning, Rotating Auger
7	75692	1	Auger Transmission Kit	14	75623	1	Label – Warning, Read Manual
Item 1 75684 Frame Kit, SP-1875							
10	70438	1	Label – Bulk Pro 1875 TG Spreader	14	75623	1	Label – Warning, Read Manual
11	75694	1	Label – Warning, Never Swing Spdr.	15	75689	1	Bearing Access Cover
12	75621	1	Label – Warning, Hands and Feet	16		1	Main Frame
13	75669	1	Label – Warning, Rotating Auger				
Item 2 75687 Side Cover Kit							
17		1	Drive Cover	18	D6467	6	1/4 x 3/4 x 1/2 Push Retainer Nylon
Item 3 75560 Spinner Drive Cover Kit							
18	D6467	6	1/4 x 3/4 x 1/2 Push Retainer Nylon	19		1	Spinner Drive Cover
Item 4 75679 Auger Kit							
20		1	2-5/8 x 20 x 1-3/8 Auger	22		1	5/16-18 x 3/8 Socket Head Set Screw
21		1	5/8 Flat Washer Nylon				
Item 5 75660 Bearing Kit							
23	68662	1	5/8 Bearing 4-Bolt Flange	24		4	3/8-16 Serrated Flange Nut
Item 6 75901 Motor Kit							
25		2	#10-32 x 5/8 Hex Cap Screw Serrated Flange w/Patch	26		1	Motor 12V DC, 3 x 3.8
Item 7 75692 Auger Transmission Kit							
27		4	1/4-20 x 3/4 Hex Cap Screw Serrated Flange SS	28	D6232	1	Motor Drive Coupler
				29		1	Transmission 20:1 Worm Gear
Item 8 75688 Trim Ring Kit							
30		1	Trim Ring	31		2	3/8-16 Hex Nut Serrated Flange
Item 9 75690 Spinner Guard Kit							
27		4	1/4-20 x 3/4 Hex Cap Screw Serrated Flange SS	32		1	Spinner Guard
				33		4	1/4-20 Locknut
SS = Stainless Steel							

Bulk Pro™ 1875 LOW-PROFILE TAILGATE SPREADER

SPINNER, CHUTE & DEFLECTOR

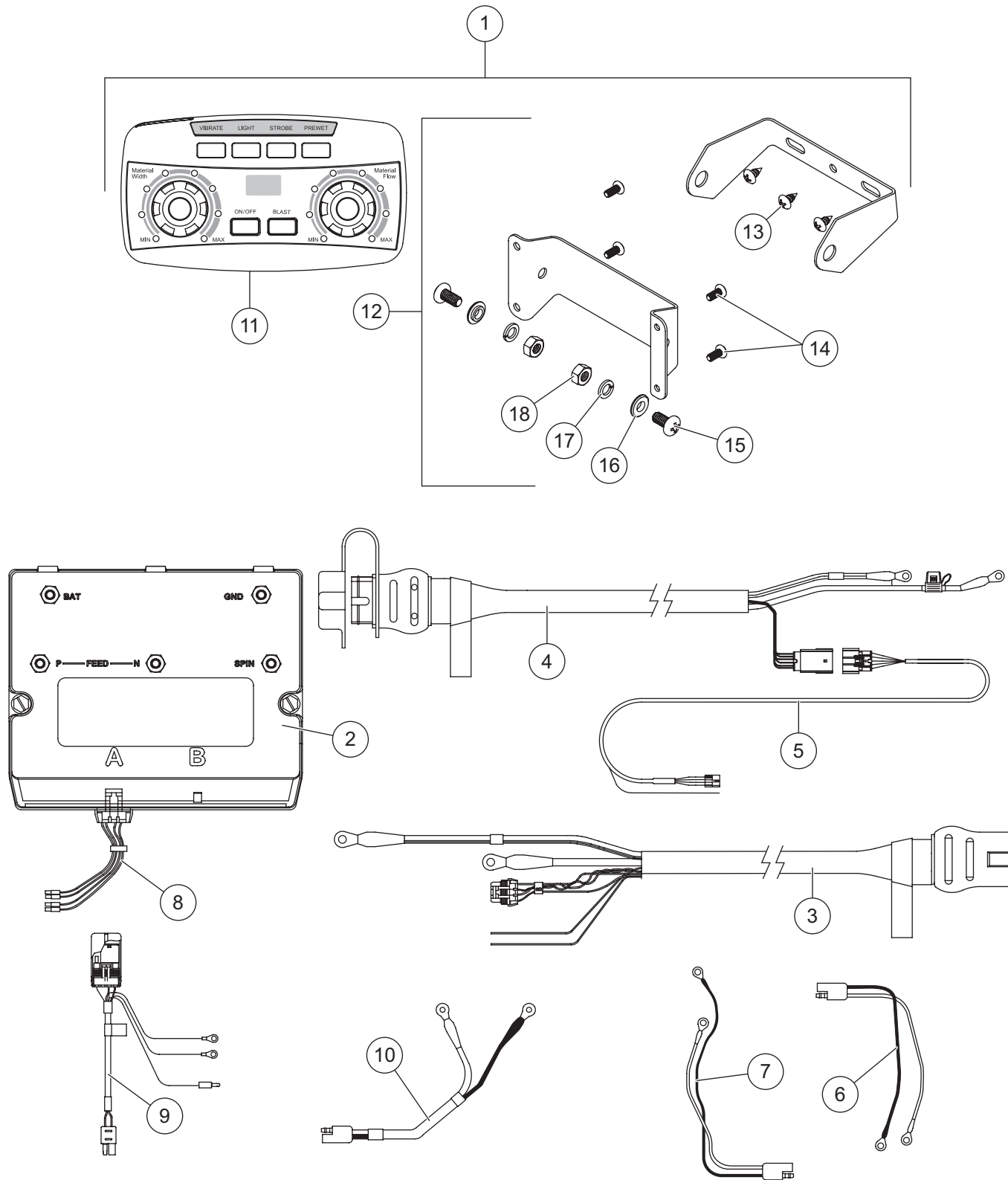


Bulk Pro™ 1875 LOW-PROFILE TAILGATE SPREADER

Spinner, Chute & Deflector							
Item	Part	Qty	Description	Item	Part	Qty	Description
1	75901	1	Motor Kit	4	75685	1	Spinner Kit
2	75686	1	Spinner Transmission Kit	5	75665	1	Deflector Kit
3	75691	1	Material Chute Kit				
Item 1				75901 Motor Kit			
6		1	Motor 12V DC, 3 x 3.8	7		2	#10-32 x 5/8 Cap Screw Serrated Flange SS
Item 2				75686 Spinner Transmission Kit			
8		1	Transmission 8:1 Worm Gear	10		4	1/4-20 x 3/4 Cap Screw Serrated Flange SS
9	D6232	1	Motor Drive Coupler				
Item 3				75691 Material Chute Kit			
11		1	Material Chute	12		3	3/16 x 0.354 Rivet – Black Aluminum
Item 4				75685 Spinner Kit			
13		1	Spinner 12" Steel	14		1	5/16-18 x 1/2 Hex Cap Screw
Item 5				75665 Deflector Kit			
15		2	3/8-16 x 1 Hex Cap Screw Serrated Flange Type F	16		1	Deflector
SS = Stainless Steel							

Bulk Pro™ 1575, Bulk Pro 1875 LOW-PROFILE TAILGATE SPREADER

ELECTRICAL COMPONENTS



Bulk Pro™ 1575, Bulk Pro 1875 LOW-PROFILE TAILGATE SPREADER

Electrical Components							
Item	Part	Qty	Description	Item	Part	Qty	Description
1	52460	1	Spreader Control Kit	7	78399	1	Spinner Motor Harness Rev Pin-Out (SP-1875-1)
2	52375	1	Spreader Module, 5-Post	8	69893	1	10-Pin Connector w/4 Wires
3	72092	1	Spreader Harness, 7-Pin	9	78382	1	Vibrator Harness Assembly
4	72090	1	Vehicle Harness, 7-Pin	10	78397	1	Auger Motor Harness
5	69902	1	Vehicle Control Harness				
6	78398	1	Spinner Motor Harness (SP-1575-1)				
Item 1	52460 Spreader Control Kit						
11	52462	1	Spreader Control	15		2	1/4-20 x 1/2 Pan Head Machine Screw SS – Black
12	52345	1	Control Bracket Kit	16		2	1/4 Shoulder Washer SS – Black
13		3	#10 x 3/8 Pan Head Tapping Screw SS	17		2	1/4 Lock Washer SS
14		4	#8 x 3/8 Pan Head Machine Screw	18		2	1/4-20 Hex Nut G5 – Black
			SS = Stainless Steel				G = Grade



 A DIVISION OF DOUGLAS DYNAMICS, LLC

Copyright © 2018 Douglas Dynamics, LLC. All rights reserved. This material may not be reproduced or copied, in whole or in part, in any printed, mechanical, electronic, film, or other distribution and storage media, without the written consent of TrynEx International. Authorization to photocopy items for internal or personal use by TrynEx International outlets or spreader owner is granted.

TrynEx International reserves the right under its product improvement policy to change construction or design details and furnish equipment when so altered without reference to illustrations or specifications used. TrynEx International or the vehicle manufacturer may require or recommend optional equipment for spreaders. Do not exceed vehicle ratings with a spreader. Patent pending. TrynEx International offers a limited warranty for all spreaders and accessories. See separately printed page for this important information. The following are registered (®) or unregistered (™) trademarks of Douglas Dynamics, LLC: Bulk Pro™, SnowEx®.

Printed in U.S.A.