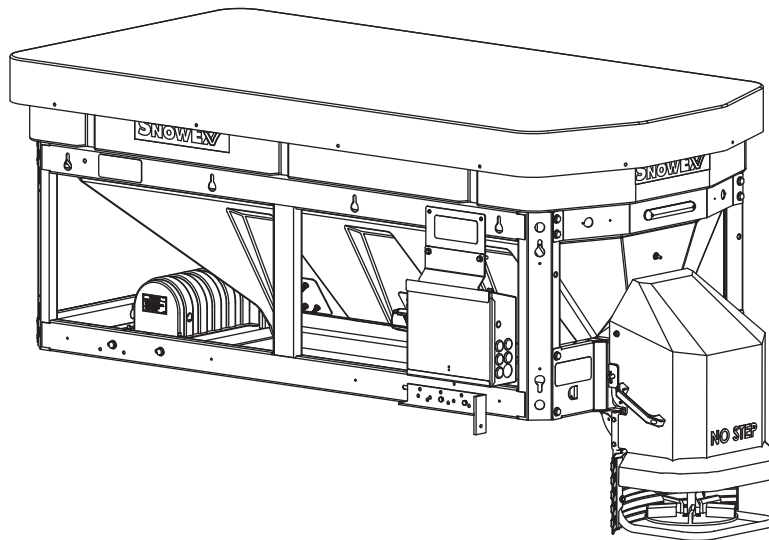




V-Maxx™ G2 Hopper Spreader

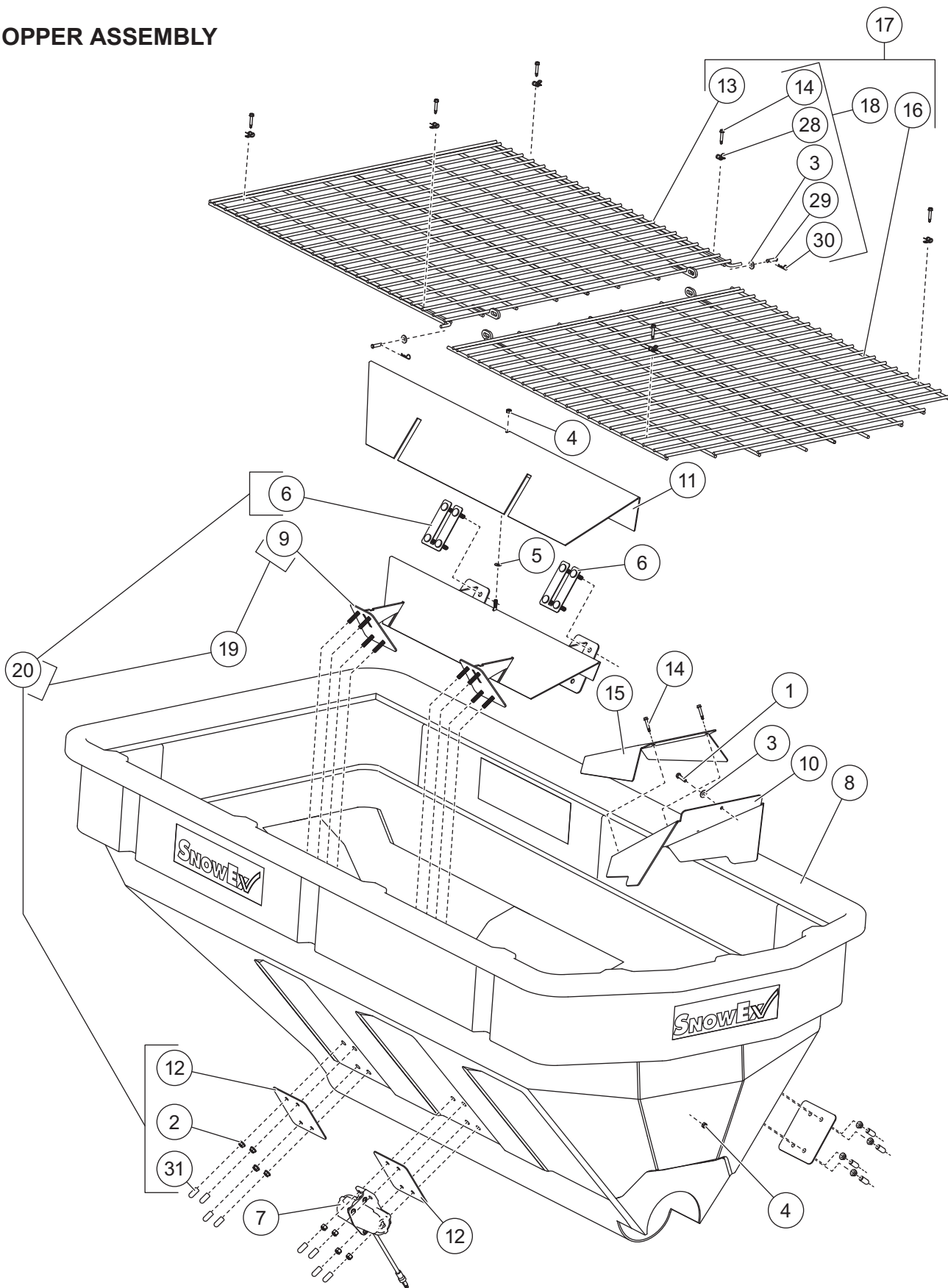
VX-2200 & VX-2200HO

Parts List

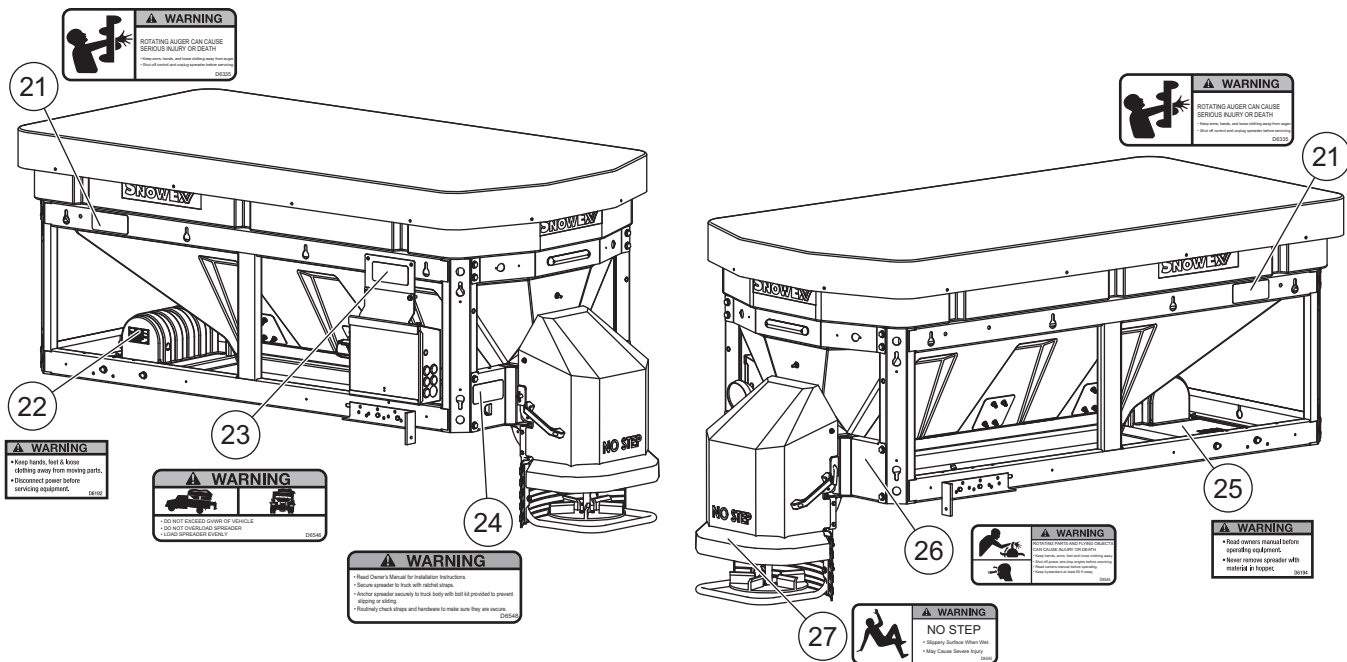


VX-2200 & VX-2200HO G2 HOPPER SPREADER

HOPPER ASSEMBLY



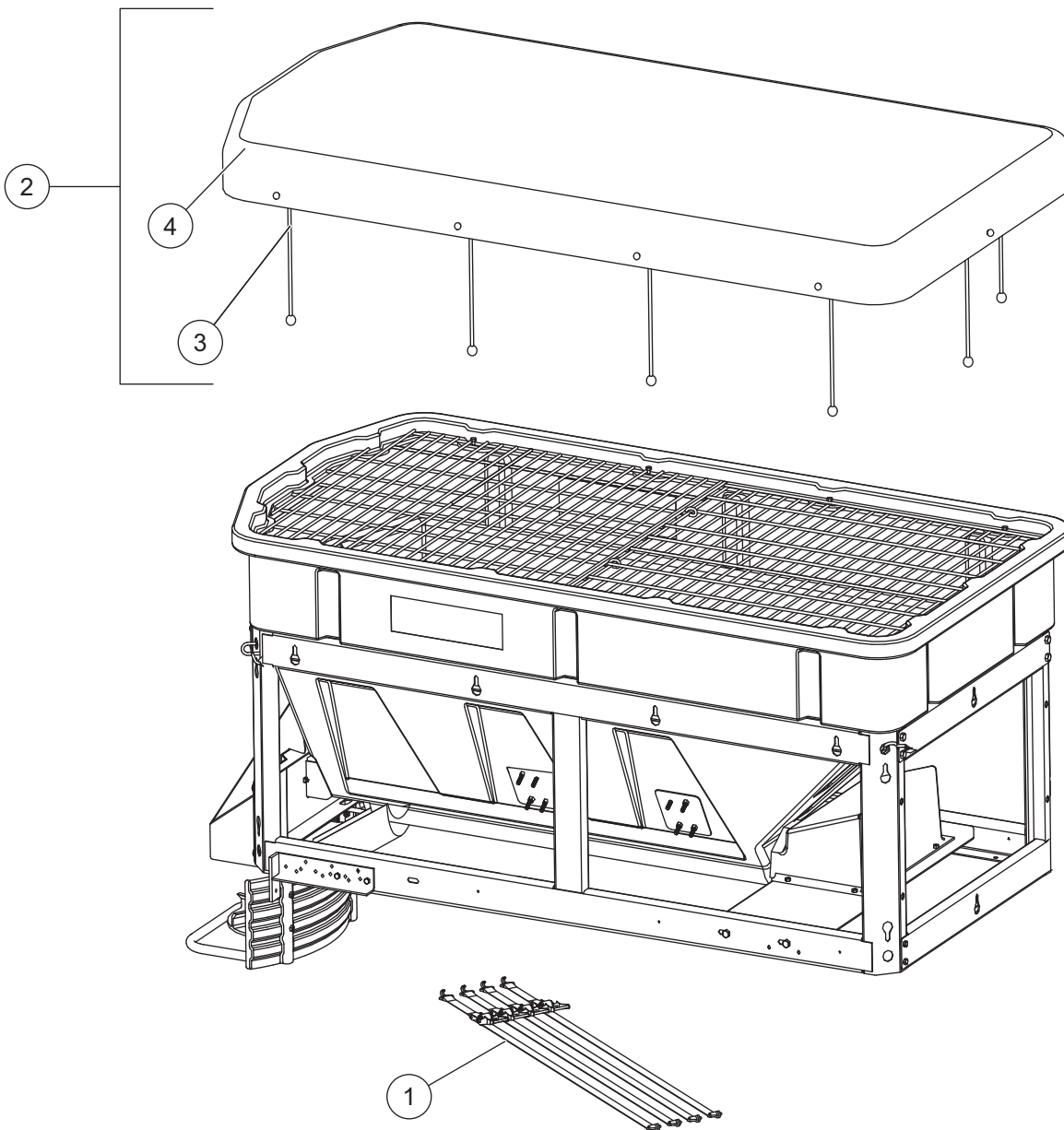
VX-2200 & VX-2200HO G2 HOPPER SPREADER



Hopper Assembly Components							
Item	Part	Qty	Description	Item	Part	Qty	Description
1	D6576	1	5/16-18 x 1-1/4 Hex Cap Screw	15	D6847	1	Baffle Extension (VX-2200 only)
2	D6584	16	3/8-16 Serrated Flange Nut	16	D6849	1	Rear Top Screen
3	D6165	5	5/16 Flat Washer	17	99791	1	Top Screen Service Kit
4	D6138	2	5/16 Locknut	18	83705	1	Top Screen Mounting Hardware
5	D5949	1	5/16 Flat Washer SS	19	99792	1	Inverted V Service Kit
6	D6815	2	Bolt Plate	20	83706	1	Inverted V Mounting Hardware
7	75673	1	Vibrator	21	D6335	1	Label - Warning, Rotating Auger
8	D6800	1	Hopper	22	D6192	1	Label - Warning, Hands and Feet
9	D6808	1	Inverted V Assembly	23	D6546	1	Label - Warning, Do Not Overload
10	D6807	1	Discharge Baffle	24	D6548	1	Label - Warning, Owner's Manual
11	D6809	1	Salt Baffle	25	D6194	1	Label - Warning, Before Operating
12	D5508	4	Inverted V Backing Plate	26	D6544	1	Label - Warning, Rotating Parts
13	D6848	1	Front Top Screen	27	D6545	1	Label - Warning, No Step
14	D6874	8	1/4 x 1-1/2 Self-Tapping Screw	ns	83691	2	Label - SnowEx® V-Maxx™ G2
Item 17 99791 Top Screen Service Kit							
13	D6848	1	Front Top Screen	18	83705	1	Top Screen Mounting Hardware
16	D6849	1	Rear Top Screen				
Item 18 83705 Top Screen Mounting Hardware							
3	D6165	4	5/16 Flat Washer	29	D6866	2	5/16 x 1-1/4 Clevis Pin
14	D6874	8	1/4 x 1-1/2 Self-Tapping Screw	30	D6853	2	Hairpin Cotter
28	D6509	6	Clamp				
Item 19 99792 Inverted V Service Kit							
9	D6808	1	Inverted V Assembly	20	83706	1	Inverted V Mounting Hardware
Item 20 83706 Inverted V Mounting Hardware							
2	D6584	16	3/8-16 Serrated Flange Nut	12	D5508	4	Inverted V Backing Plate
6	D6815	2	Bolt Plate	31	T30820	16	Stud Cover
ns = not shown				SS = Stainless Steel			

VX-2200 & VX-2200HO G2 HOPPER SPREADER

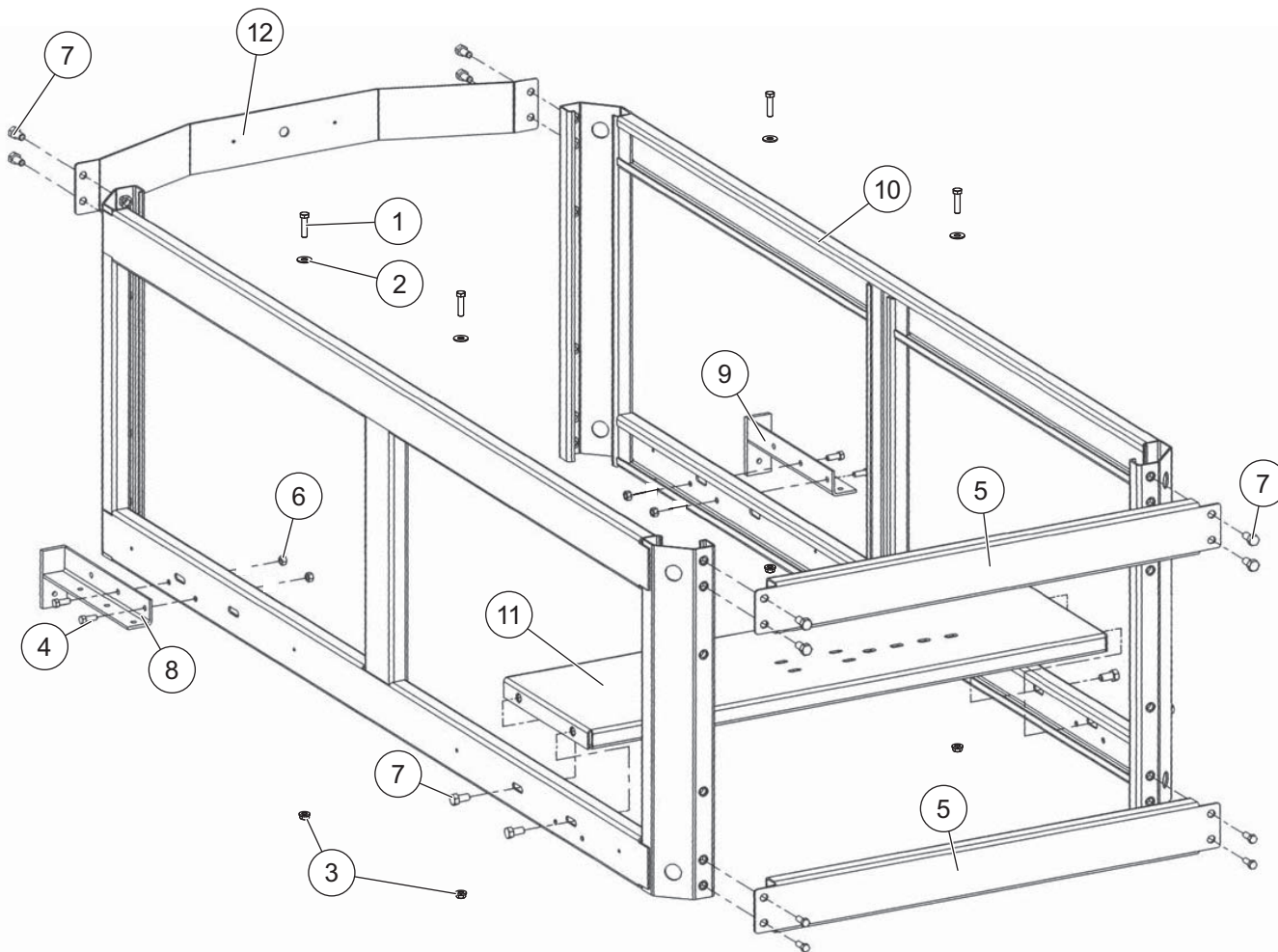
RATCHET STRAPS AND COVER



Straps and Cover							
Item	Part	Qty	Description	Item	Part	Qty	Description
1	D6856	1	Ratchet Strap (pkg of 4)	2	D6855	1	Tarp and Bungee Strap Kit
Item 2				D6855 Tarp and Bungee Strap Kit			
3	D6522	1	Bungee Strap (set of 15)	4	11060	1	Tarp

VX-2200 & VX-2200HO G2 HOPPER SPREADER

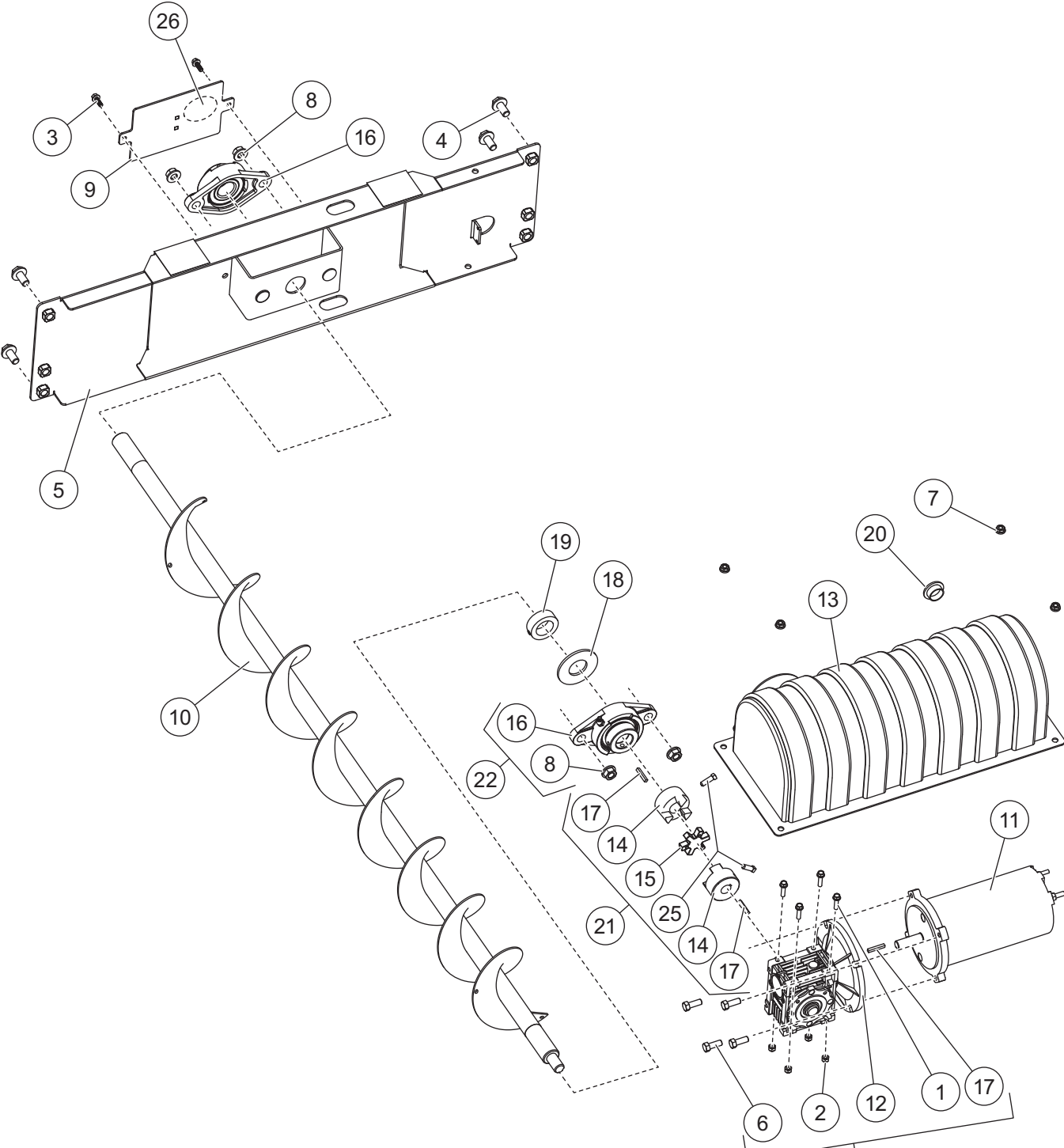
MOUNTING HARDWARE



Mounting Hardware							
Item	Part	Qty	Description	Item	Part	Qty	Description
1	D4116	4	1/2-13 x 1-1/2 Hex Cap Screw	7	D6528	16	1/2-13 x 1 Serrated Hex Cap Screw
2	D4119	4	1/2 Flat Washer	8	D6536	1	Right Stop Bracket
3	D4120	4	1/2-13 Locknut	9	D6537	1	Left Stop Bracket
4	D4121	4	3/8-16 x 1 Hex Cap Screw	10	D6801-1	2	Side Frame Weldment
5	D6804	2	Upper/Lower Front Rail	11	D6806	1	Auger Motor Trans Support
6	D4124	4	3/8 Locknut	12	D6805-1	1	Rear Apron

VX-2200 & VX-2200HO G2 HOPPER SPREADER

AUGER DRIVE ASSEMBLY



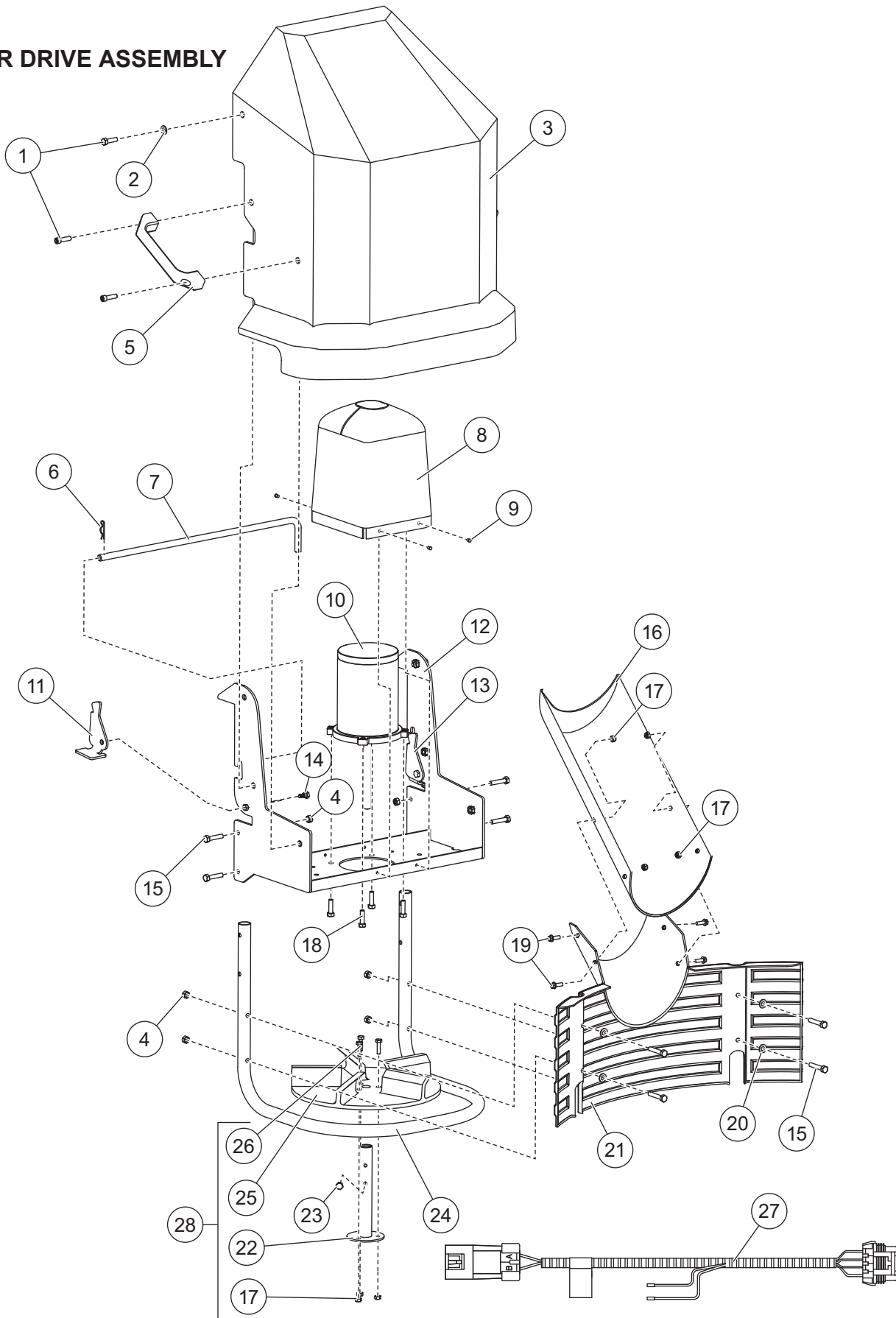
VX-2200 & VX-2200HO G2 HOPPER SPREADER

Auger Drive Components							
Item	Part	Qty	Description	Item	Part	Qty	Description
1	D6854	4	1/4-20 x 1 Serrated Flange Cap Screw	14	F50513	2	Jaw, Coupling Hub
2	T15016	4	1/4-20 Locknut	15	F50514	1	Urethane Coupler Spyder
3	D6132	2	1/4-20 x 3/4 Hex Cap Screw	16	D5382	2	Auger Bearing, 1-1/4 Flange
4	D6528	4	1/2-13 x 1 Serrated Hex Cap Screw	17	D6873	3	3/16 Key Stock
5	D6803	1	Spinner Drive Mount Plate	18	D6789	1	1-1/4 Flat Washer
6	D4121	4	3/8-16 x 1 Hex Cap Screw	19	D6792	1	1-5/16 Shaft Collar w/Set Screw
7	D5706	4	5/16-18 Serrated Flange Nut	20	94299	1	Grommet
8	D5535	4	1/2-13 Serrated Flange Nut	21	99793	1	Auger Coupler Kit
9	D6814	1	Rear Bearing Cover	22	99794	2	Auger Bearing Kit
10	D6816	1	5 x 66 Auger	23	99798*	1	Transmission Kit, VX-2200
11	D6825	1	1/2 hp Motor, 1750 RPM	24	99799	1	Transmission Kit, VX-2200HO
12	10923	1	Transmission VX-2200	25	D7163	2	5/16-18 x 1 Set Screw
	D5341	1	Transmission VX-2200HO	26	D6829	1	Label - Attention, Grease Fitting
13	F50957	1	Auger Motor Cover				
Item 21				99793 Auger Coupler Kit			
14	F50513	2	Jaw, Coupling Hub	17	D6873	2	3/16 Key Stock
15	F50514	1	Urethane Coupler Spyder	25	D7163	2	5/16-18 x 1 Set Screw
Item 22				99794 Auger Bearing Kit			
8	D5535	2	1/2-13 Serrated Flange Nut	16	D5382	1	Auger Bearing, 1-1/4 Flange
Item 23				99798* Transmission Kit, VX-2200			
1	D6854	4	1/4-20 x 1 Serrated Flange Cap Screw	12	10923	1	Transmission VX-2200
2	T15016	4	1/4-20 Locknut	17	D6873	2	3/16 Key Stock
6	D4121	4	3/8-16 x 1 Hex Cap Screw				
Item 24				99799 Transmission Kit, VX-2200HO			
1	D6854	4	1/4-20 x 1 Serrated Flange Cap Screw	12	D5341	1	Transmission VX-2200HO
2	T15016	4	1/4-20 Locknut	17	D6873	2	3/16 Key Stock
6	D4121	4	3/8-16 x 1 Hex Cap Screw				

* If replacing an early style black transmission, also order PN 83723 Transmission Adapter Kit.

VX-2200 & VX-2200HO G2 HOPPER SPREADER

SPINNER DRIVE ASSEMBLY



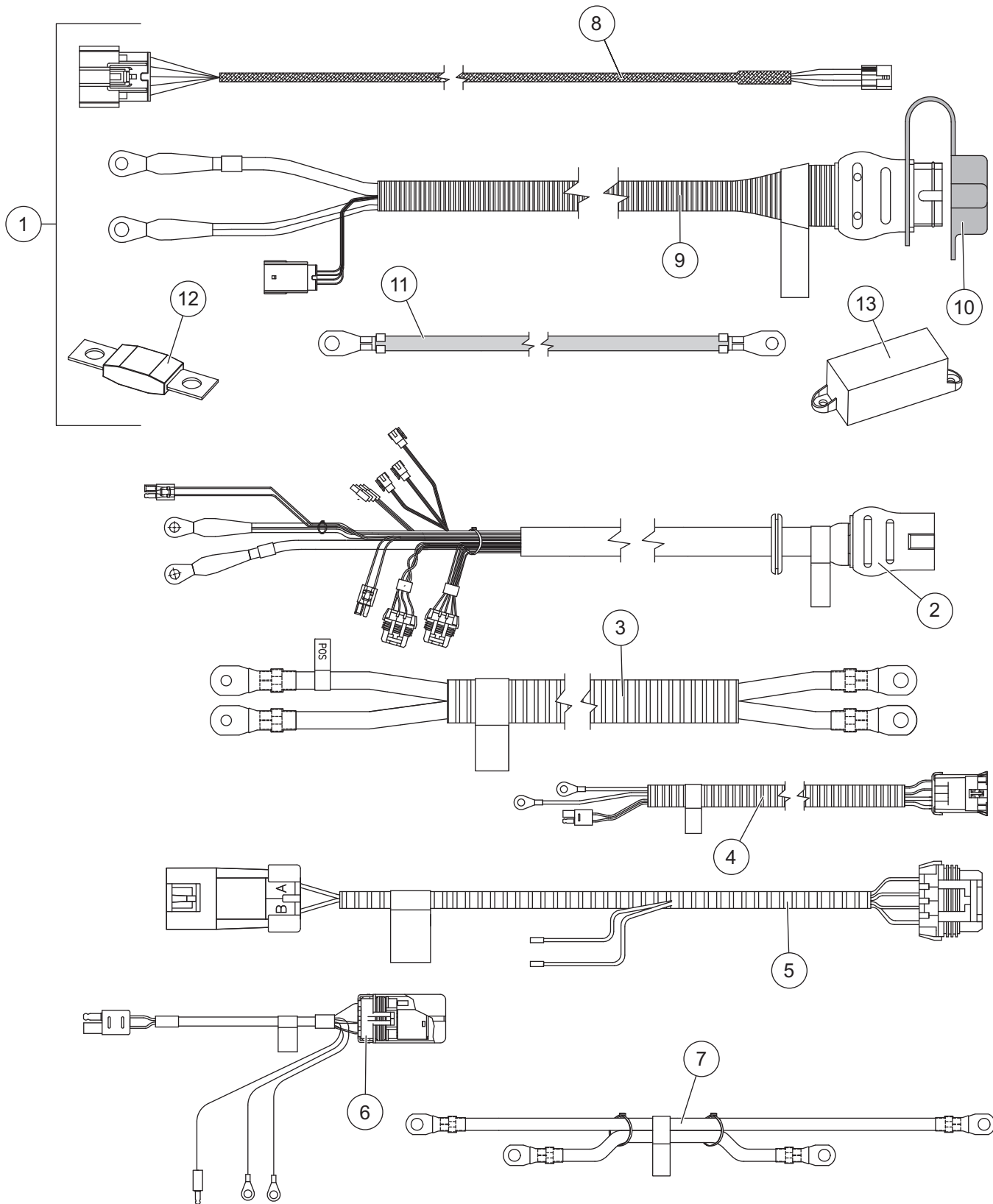
VX-2200 & VX-2200HO G2 HOPPER SPREADER

99796 Spinner Drive Assembly							
Item	Part	Qty	Description	Item	Part	Qty	Description
1	D5293	6	5/16-18 x 1-1/8 Socket Head Cap Screw	15	D6462	8	5/16-18 x 1-3/4 Hex Cap Screw
2	D5949	2	5/16 Flat Washer	16	D6279	1	Material Chute
3	D5349	1	Spinner Shroud	17	T15016	7	1/4-20 Locknut SS
4	D6138	8	5/16-18 Locknut	18	D6452	4	3/8-16 x 1 Serrated Flange Bolt
5	D5248	2	Plastic Handle	19	D6132	4	1/4-20 x 3/4 Serrated Flange SS
6	D4135	1	Drive Pin Clip	20	D6165	4	5/16 Flat Washer
7	D6563	1	20" Drive Mounting Pin	21	D6833	1	Plastic Deflector
8	D5346	1	Spinner Motor Cover	22	D6824	1	Spinner Hub Weldment
9	D6333	4	3/16 Long Rivet	23	T15049	1	5/16-18 x 1/2 Hex Cap Screw
10	D6887	1	Direct Drive Spinner Motor	24	D5347	1	Tubular Spinner Guard
11	D5343	1	Left Hand Latch	25	D6823	1	Urethane Spinner
12	D5344	1	Spinner Drive Enclosure	26	D6854	3	1/4-20 x 1 Serrated Hex Washer Head Cap Screw SS
13	D5342	1	Right Hand Latch	27	83696	1	Harness, Spinner Chute
14	T15038	2	Shoulder Bolt	28	99797	1	Spinner Hub Kit
Item 28				99797 Spinner Hub Kit			
17	T15016	3	1/4-20 Locknut SS	25	D6823	1	Urethane Spinner
22	D6824	1	Spinner Hub Weldment	26	D6854	3	1/4-20 x 1 Serrated Hex Washer Head Cap Screw SS
23	T15049	1	5/16-18 x 1/2 Hex Cap Screw				

SS = Stainless Steel

VX-2200 & VX-2200HO G2 HOPPER SPREADER

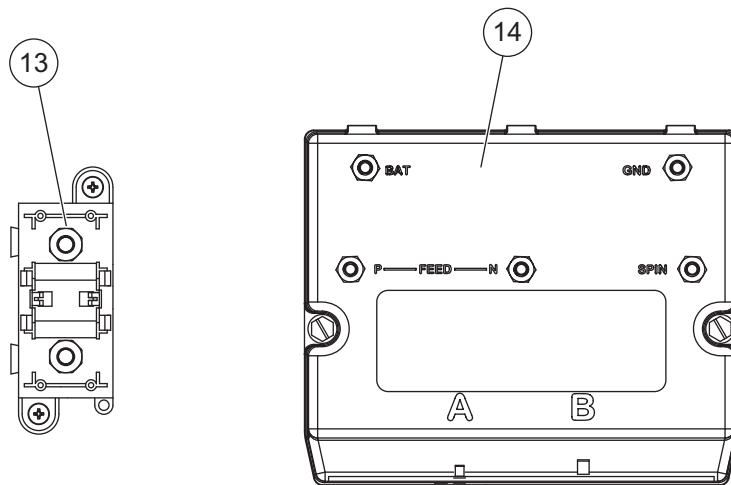
ELECTRICAL COMPONENTS



Not drawn to scale.

VX-2200 & VX-2200HO G2 HOPPER SPREADER

ELECTRICAL COMPONENTS

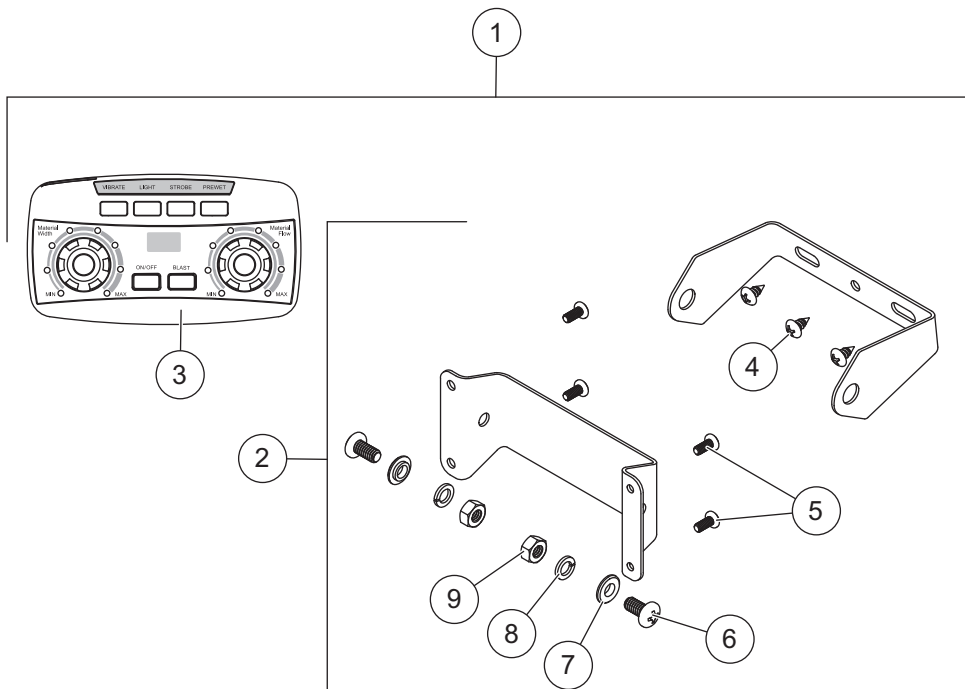


Cables & Harnessing / Electrical Enclosure Assembly							
Item	Part	Qty	Description	Item	Part	Qty	Description
1	78402	1	Vehicle Side Harness Kit	7	78385	1	Cable Assy, Mod. to Isolated Stud
2	83688	1	Cable Assy, Hopper	ns	99775	1	Cable Boot – 8-Pin
3	83697	1	Cable Assy, Module to Auger Motor	ns	57116	1	Bracket, Cable Boot
4	78415	1	Cable Assy, Spinner Motor, Hopper	ns	D6514	1	Center High Mount Stop Light (CHMSL)
5	83696	1	Harness, Spinner Chute	ns	D6529*	2	#10-32 x 1-1/4" Machine Screw SS
6	78382	1	Vibrator Harness Assembly	ns	D6518*	2	#10-32 x 1-1/4" Locknut SS
Item 1 78402 Vehicle Side Harness Kit							
8	69902	1	Vehicle Control Harness	12	95836	1	Fuse, 100 Amp
9	76057	1	Vehicle Harness Assy (incl. item 10)	13	95837	2	Fuse Holder/Isolated Stud Block
10	99759	1	Plug Cover	ns		6	Cable Tie, HD
11	22511	1	22" Battery Cable – Red	ns		10	Cable Tie, 15.35"
Electrical Box Components							
13	95837	1	Fuse Holder/Isolated Stud Block	14	52375	1	Spreader Module, 5-Post
ns = not shown				SS = Stainless Steel			

* CHMSL Mounting Hardware

VX-2200 & VX-2200HO G2 HOPPER SPREADER

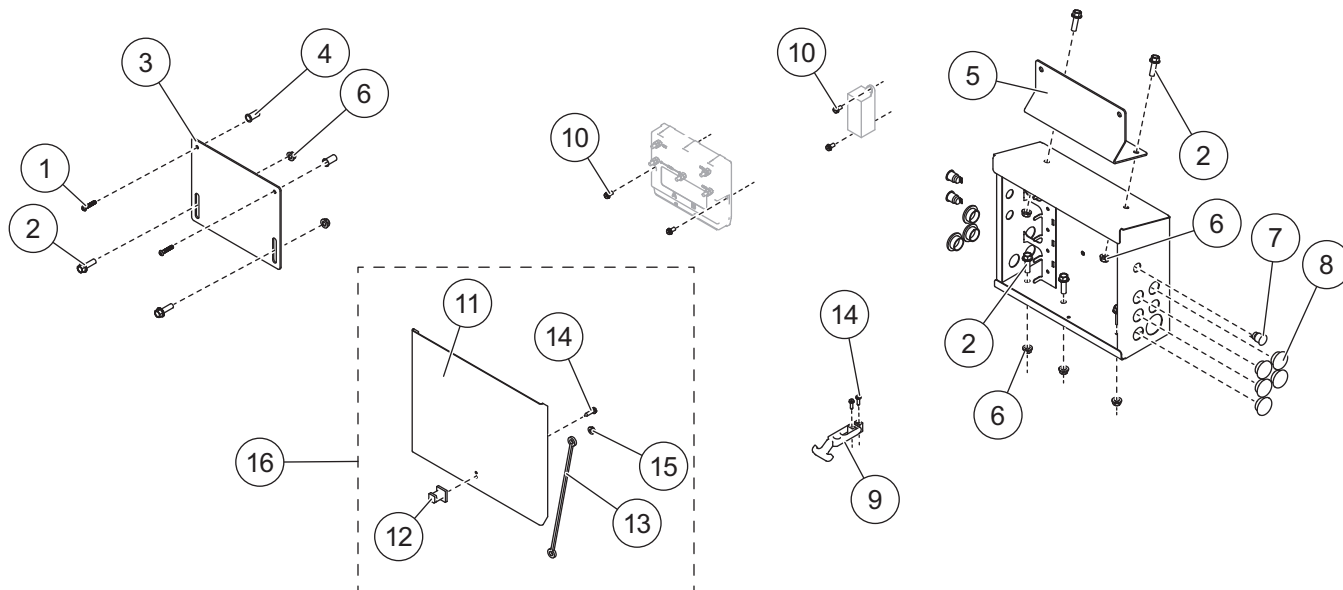
CONTROL AND ELECTRICAL COMPONENTS



Cab Control						
Item	Part	Qty	Description	Item	Part	Qty Description
1	52430	1	Cab Control Kit	3	52432	1 Cab Control 2-Knob
2	52345	1	Cab Control Bracket Kit			
Item 1	52430 Cab Control Kit					
2	52345	1	Cab Control Bracket Kit	3	52432	1 Cab Control 2-Knob
Item 2	52345 Cab Control Bracket Kit					
	1		Bracket, Control Inner	6	2	1/4-20 x 1/2 Pan Head Machine Screw SS – Black
	1		Bracket, Control Outer	7	2	1/4 Shoulder Washer SS – Black
4	3		#10 x 3/8 Pan Head Tapping Screw SS	8	2	1/4 Lock Washer SS
5	4		#8 x 3/8 Pan Head Machine Screw	9	2	1/4-20 Hex Nut G5 – Black
			SS = Stainless Steel			G = Grade

VX-2200 & VX-2200HO G2 HOPPER SPREADER

ELECTRICAL BOX ASSEMBLY



99789 Electrical Box Assembly						
Item	Part	Qty	Description	Item	Part	Qty Description
1	57966	2	1/4-20 x 1-1/4 Hex Cap Screw SS	10	78436	4 1/4-20 x 1/2 Washer Machine Screw SS
2	83641	7	3/8-16 x 1-1/4 Serrated Flange Screw G5	11	57014	1 Cover
3	56999	1	Bracket, Support Top	12	D6198	1 Latch Keeper
4	78263	2	1/4-20 Well Nut	13	43554	1 12" Lanyard Loop
5	57029	1	Bracket, Support Bottom	14	D6553	3 #10 x 3/4 Washer Head Slotted Screw
6	D6584	7	3/8-16 Serrated Flange Nut	15	T15133	1 1/4-20 Serrated Flange Nut
7	99254	3	Switch, Push Button, MO	16	57016	1 Cover Assembly
8	99195	9	Break Thru Plug	ns	83698	1 Labels – Electronic Assembly
9	D6105	1	Flexible Draw Latch			
Item 16			57016 Cover Assembly			
11	57014	1	Cover	14	D6553	3 #10 x 3/4 Washer Head Slotted Screw
12	D6198	1	Latch Keeper	15	T15133	1 1/4-20 Serrated Flange Nut
13	43554	1	12" Lanyard Loop			
SS = Stainless Steel			ns = not shown		G = Grade	



TrynEx International
531 Ajax Drive
Madison Heights, MI 48071-2429
www.snowexproducts.com

 A DIVISION OF DOUGLAS DYNAMICS, LLC

Copyright © 2017 Douglas Dynamics, LLC. All rights reserved. This material may not be reproduced or copied, in whole or in part, in any printed, mechanical, electronic, film or other distribution and storage media, without the written consent of TrynEx International. Authorization to photocopy items for internal or personal use by TrynEx International outlets or spreader owner is granted.

TrynEx International reserves the right under its product improvement policy to change construction or design details and furnish equipment when so altered without reference to illustrations or specifications used. TrynEx International or the vehicle manufacturer may require or recommend optional equipment for spreaders. Do not exceed vehicle ratings with a spreader. TrynEx International offers a limited warranty for all spreaders and accessories. See separately printed page for this important information. The following are registered (®) or unregistered (™) trademarks of Douglas Dynamics, LLC: SnowEx®, TrynEx®, V-Maxx™.

Printed in U.S.A.