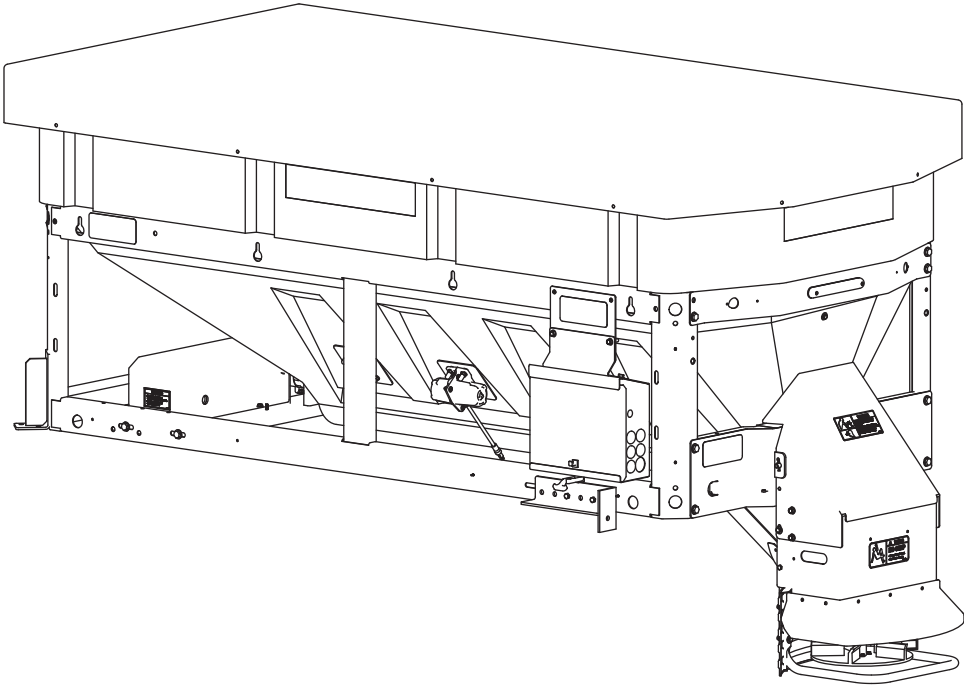


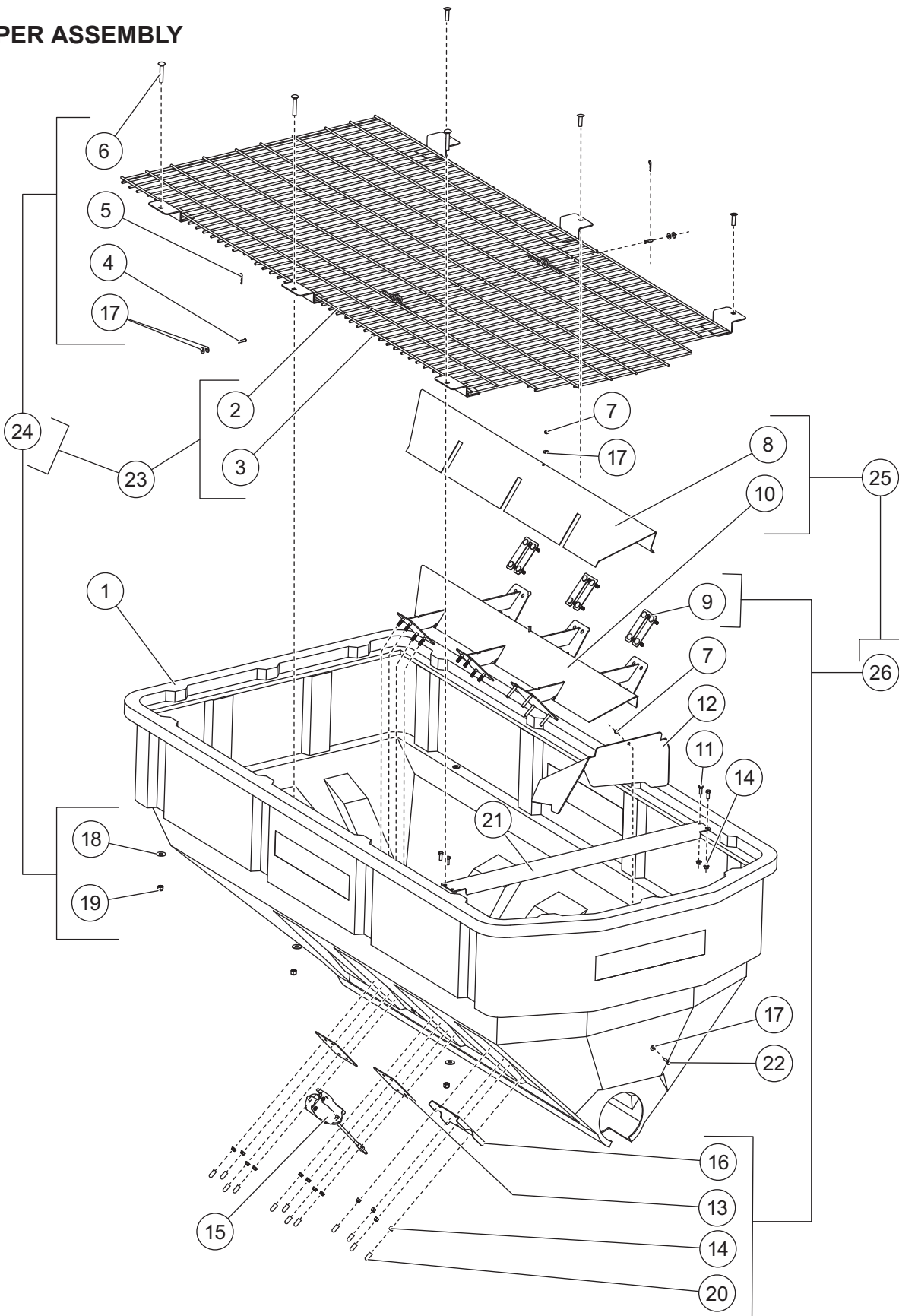


V-Maxx™ G2 Hopper Spreader
VX-3200
Parts List

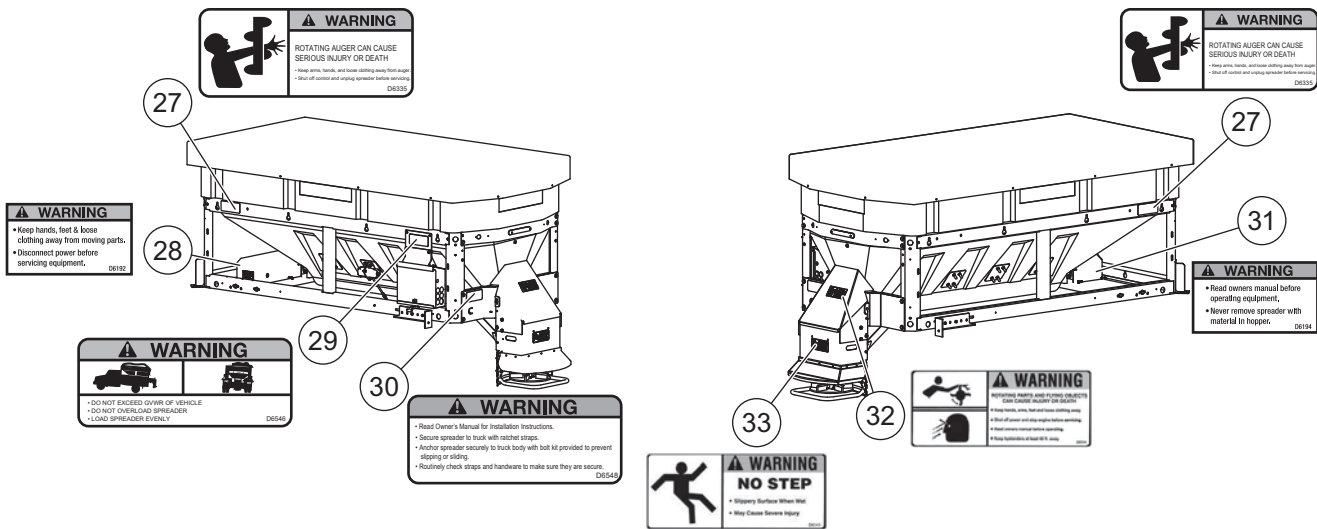


VX-3200 V-Maxx™ G2 HOPPER SPREADER

HOPPER ASSEMBLY



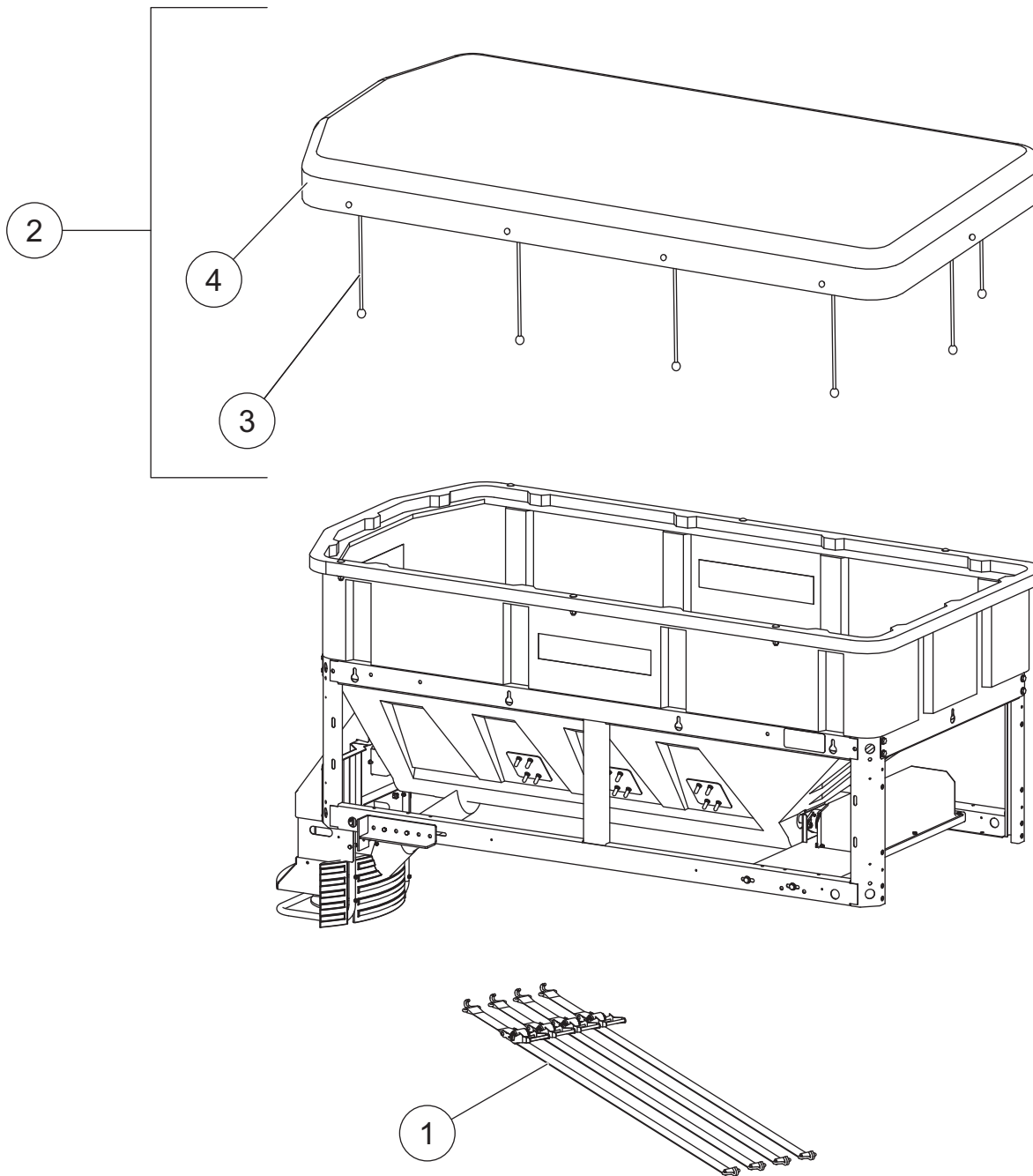
VX-3200 V-Maxx™ G2 HOPPER SPREADER



Item	Part	Qty	Description	Item	Part	Qty	Description
1	D6799	1	Hopper	18	D4119	6	1/2 Flat Washer
2	D6795	1	Top Screen Front Section	19	D4120	6	1/2 Locknut
3	D6796	1	Top Screen Rear Section	20	T30820	24	3/8 x 1 Stud Cover
4	D6866	2	5/16 x 1-1/4 Clevis Pin	21	D6898	1	Cross Bar
5	D6853	2	Hairpin Cotter	22	D6166	1	5/16-18 x 1 Hex Head Cap Screw
6	F51284	6	1/2-13 x 3 Carriage Bolt	23	96602	1	Top Screen Service Kit
7	D6138	2	5/16-18 Locknut	24	96603	1	Top Screen Mounting Hardware
8	D6763	1	Inverted V Salt Baffle	25	96604	1	Inverted V Service Kit
9	D6815	3	Bolt Plate, 4-Bolt	26	96605	1	Inverted V Mounting Hardware
10	D6764	1	Inverted V Assembly	27	D6335	2	Label – Warning, Rotating Auger
11	D4121	4	3/8-16 x 1 Hex Cap Screw	28	D6192	1	Label – Warning, Hands and Feet
12	D6869	1	Salt Discharge Baffle	29	D6546	1	Label – Warning, Do Not Overload
13	D5508	5	Inverted V Backing Plate	30	D6548	1	Label – Warning, Owner's Manual
14	D6584	28	3/8-16 Serrated Flange Locknut	31	D6194	1	Label – Warning, Before Operating
15	51068	1	Heavy Duty Vibrator, DC-200	32	D6544	1	Label – Warning, Rotating Parts
16	D6860	1	Vibrator Backing Plate	33	D6545	1	Label – Warning, No Step
17	D6165	6	5/16 Flat Washer SS	ns	83691	2	Label – SnowEx® V-Maxx™ G2
Item 23				96602 Top Screen Service Kit			
2	D6795	1	Top Screen Front Section	24	96603	1	Top Screen Mounting Hardware
3	D6796	1	Top Screen Rear Section				
Item 24				96603 Top Screen Mounting Hardware			
4	D6866	2	5/16 x 1-1/4 Clevis Pin	17	D6165	4	5/16 Flat Washer SS
5	D6853	2	Hairpin Cotter	18	D4119	6	1/2 Flat Washer
6	F51284	6	1/2-13 x 3 Carriage Bolt	19	D4120	6	1/2 Locknut
Item 25				96604 Inverted V Service Kit			
8	D6763	1	Inverted V Salt Baffle	26	96605	1	Inverted V Mounting Hardware
10	D6764	1	Inverted V Assembly				
Item 26				96605 Inverted V Mounting Hardware			
9	D6815	3	Bolt Plate, 4-Bolt	16	D6860	1	Vibrator Backing Plate
13	D5508	5	Inverted V Backing Plate	20	T30820	24	3/8 x 1 Stud Cover
14	D6584	24	3/8-16 Serrated Flange Locknut				
ns = not shown				SS = Stainless Steel			

VX-3200 V-Maxx™ G2 HOPPER SPREADER

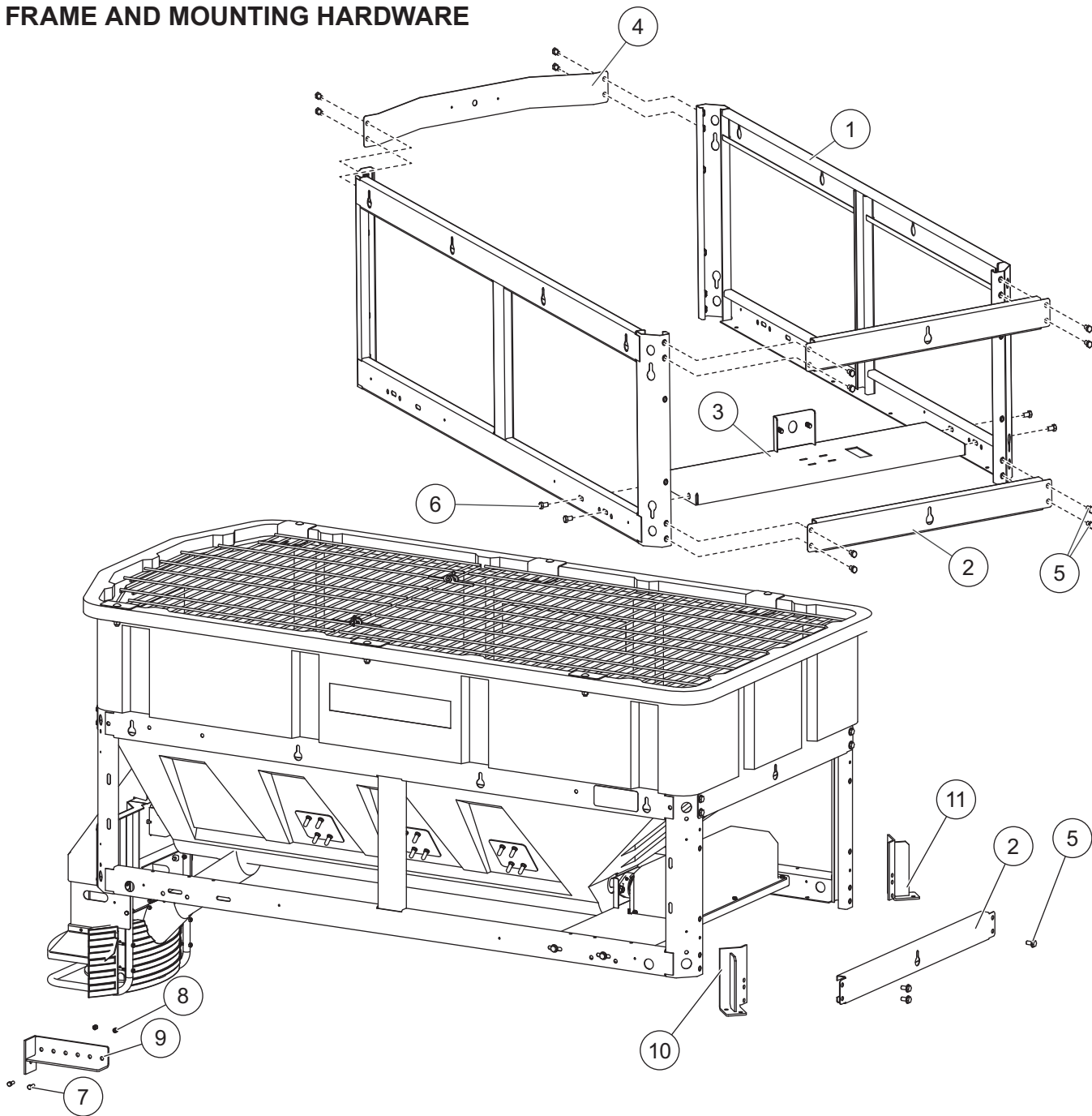
RATCHET STRAPS AND COVER



Straps and Cover							
Item	Part	Qty	Description	Item	Part	Qty	Description
1	D6856	1	Ratchet Strap, pkg of 4	2	D6855	1	Tarp and Bungee Strap Kit
Item 2				D6855 Tarp and Bungee Strap Kit			
3	D6522	1	Bungee Strap (set of 15)	4	11060	1	Tarp

VX-3200 V-Maxx™ G2 HOPPER SPREADER

FRAME AND MOUNTING HARDWARE



Frame and Mounting Hardware

Item	Part	Qty	Description	Item	Part	Qty	Description
1	D6797-1	2	Side Frame	7	D4121	4	3/8-16 x 1 Hex Cap Screw
2	D6765	2	Upper/Lower Front Rail	8	D4124	4	3/8 Locknut
3	D6884	1	Auger Motor/Transmission Support	9	D6756	1	Right Stop Bracket
4	D6766-1	1	Rear Apron	ns	D6755	1	Left Stop Bracket
5	D6528	12	1/2-13 x 1 Serrated Hex Cap Screw	10	D6760	1	Right Front Stop Bracket
6	D4116	4	1/2-13 x 1-1/2 Serrated Hex Cap Screw	11	D6759	1	Left Front Stop Bracket

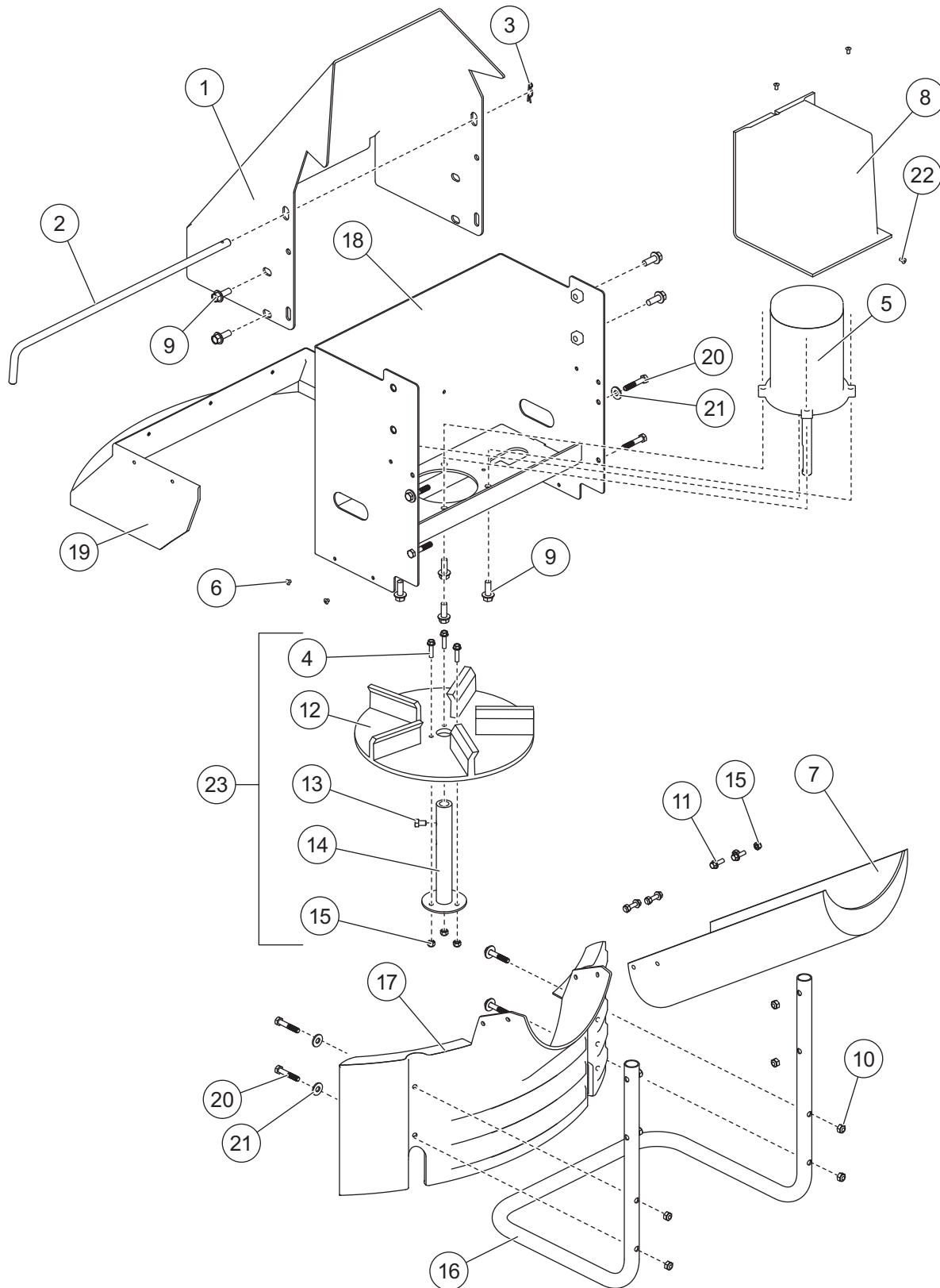
ns = not shown

VX-3200 V-Maxx™ G2 HOPPER SPREADER

AUGER DRIVE ASSEMBLY

Item	Part	Qty	Description	Item	Part	Qty	Description
1	D6881	1	Spinner Drive Mount Plate	15	D5706	6	5/16-18 Serrated Flange Nut
2	D6814	1	Bearing Cover	16	D6868	1	Auger Motor Cover
3	D6528	4	1/2-13 x 1 Serrated Hex Cap Screw	17	D6792	1	Auger Shaft Hopper Collar
4	D6132	2	1/4-20 x 3/4 Hex Cap Screw	18	D6789	1	Auger Shaft Hopper Washer
5	D5535	4	1/2-13 Serrated Flange Nut	19	D7162	1	5/16-18 x 3/4 Set Screw
6	D5382	2	Auger Bearing	20	D6165	4	5/16 Flat Washer
7	D6798	1	80" Auger	21	D6138	4	5/16-18 Locknut
8	F50513	2	Auger Coupler	22	D6752-1	2	Transmission Support Bracket
9	D6452	4	3/8-16 x 1 Serrated Flange Bolt	23	D5753	8	M8-1.25 x 16 mm Flange Bolt
10	D7163	2	Coupler Set Screw	24	99793	1	Auger Coupler Kit
11	F50514	1	Urethane Coupler Spider	25	99794	2	Auger Bearing Kit
12	D6873	3	3/16 Key Stock	26	96601	1	Auger Transmission Kit
13	D6894	1	Auger Transmission	27	D6829	1	Label - Attention, Grease Fitting
14	D6825	1	Auger Motor	28	F51936	1	3/16 x 1 Key Stock
Item 24				99793 Auger Coupler Kit			
8	F50513	2	Auger Coupler	12	D6873	1	3/16 Key Stock
10	D7163	2	Coupler Set Screw	28	F51936	1	3/16 x 1 Key Stock
11	F50514	1	Urethane Coupler Spider				
Item 25				99794 Auger Bearing Kit			
5	D5535	2	1/2-13 Serrated Flange Nut	6	D5382	1	Auger Bearing
Item 26				96601 Auger Transmission Kit			
12	D6873	2	3/16 Key Stock	21	D6138	4	5/16-18 Locknut
13	D6894	1	Auger Transmission	22	D6752-1	2	Transmission Support Bracket
20	D6165	4	5/16 Flat Washer	23	D5753	8	M8-1.25 x 16 mm Flange Bolt
M = Metric							

SPINNER DRIVE ASSEMBLY



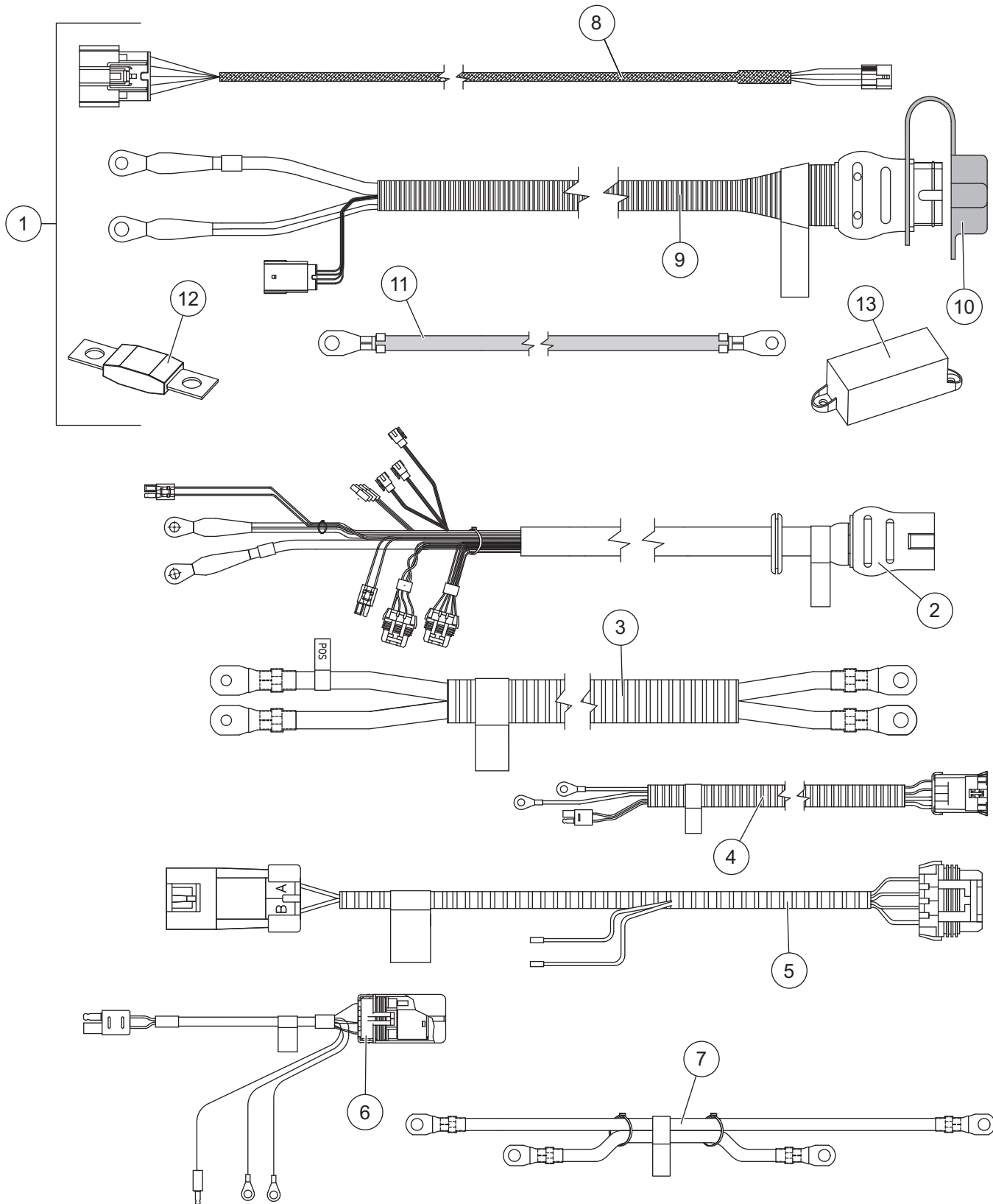
VX-3200 V-Maxx™ G2 HOPPER SPREADER

SPINNER DRIVE ASSEMBLY

83731 Spinner Drive Assembly							
Item	Part	Qty	Description	Item	Part	Qty	Description
1	D6817	1	Spinner Shroud	12	D6823	1	5-Flite Urethane Spinner
2	D6563	1	1/2 x 20 Bent Pin	13	T15049	1	5/16-18 x 1/2 Hex Cap Screw
3	D4135	1	.093 x 2-3/8 Hairpin Cotter	14	D6824	1	Spinner Hub
4	D6854	3	1/4-20 x 1 Serrated Hex Washer Head Cap Screw SS	15	T15016	7	1/4-20 Waxed Locknut SS
5	D6887	1	Direct Drive Spinner Motor	16	D6820	1	Spinner Guard Tube
6	D6130	7	3/16 Long Rivet	17	D6833	1	Material Deflector
7	D6734	1	Material Chute	18	D6731	1	Chute Extension, 5"
8	D6870	1	Spinner Motor Cover	19	D6859	1	Drive Extension Spinner Shield
9	D6452	8	3/8-16 x 1 Serrated Flange Bolt Type F	20	D6462	8	5/16-18 x 1-3/4 Hex Head Cap Screw
10	D6138	8	5/16-18 Locknut	21	D6165	6	5/16 Flat Washer
11	D6132	4	1/4-20 x 3/4 Serrated Hex Washer Head Cap Screw SS	22	D6333	4	3/16 x .354 Black Bulbex Rivet
				23	99797	1	Spinner Hub Kit
				ns	83696	1	Spinner Motor Harness
Item 23				99797 Spinner Hub Kit			
4	D6854	4	1/4-20 x 1 Serrated Hex Washer Head Cap Screw SS	13	T15049	1	5/16-18 x 1/2 Hex Cap Screw
12	D6823	1	5 Flite Urethane Spinner	14	D6824	1	Spinner Hub
				15	T15016	3	1/4-20 Waxed Locknut SS
ns = not shown				SS = Stainless Steel			

VX-3200 V-Maxx™ G2 HOPPER SPREADER

CONTROL AND ELECTRICAL COMPONENTS



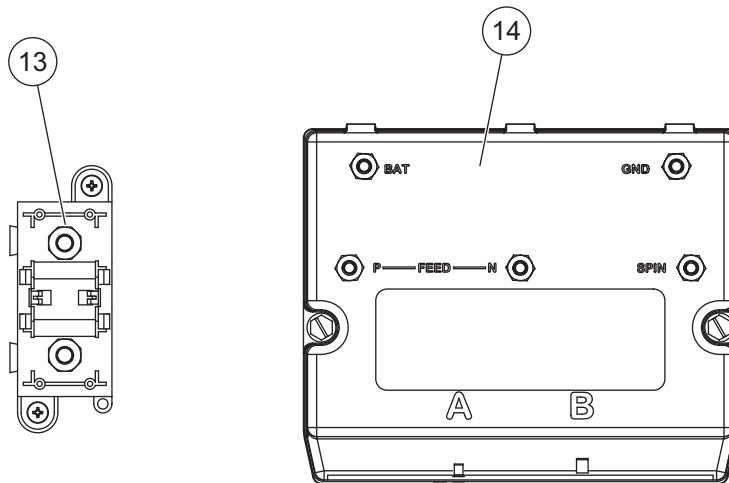
Not drawn to scale.

VX-3200 V-Maxx™ G2 HOPPER SPREADER

CONTROL AND ELECTRICAL COMPONENTS

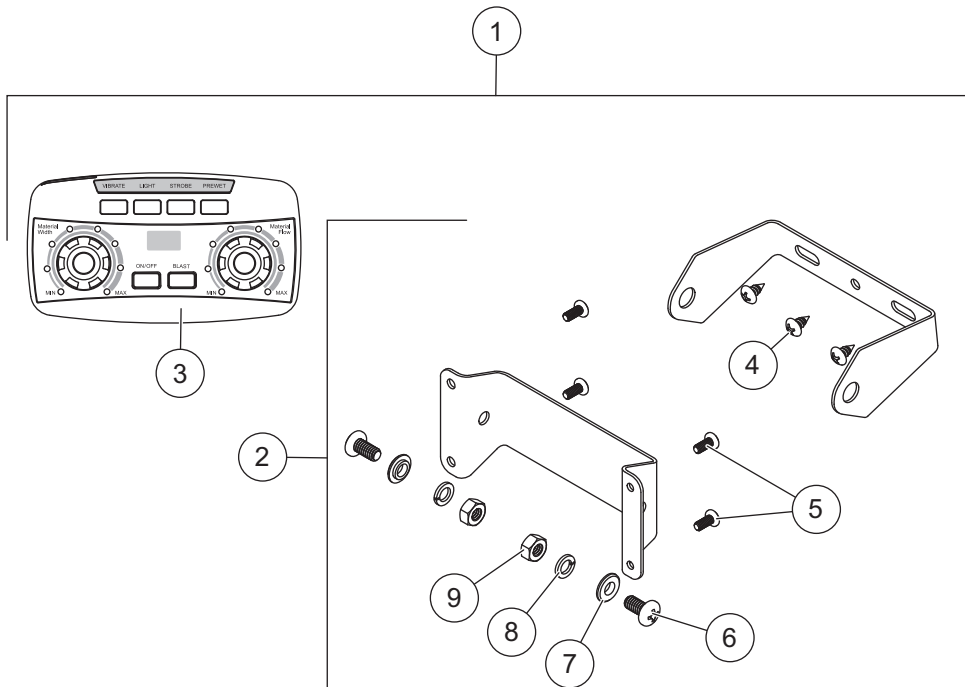
Cables & Harnessing / Electrical Enclosure Assembly							
Item	Part	Qty	Description	Item	Part	Qty	Description
1	78402	1	Vehicle Side Harness Kit	ns	99775	1	Cable Boot – 8-Pin
2	83688	1	Cable Assy, Hopper	ns	57116	1	Bracket, Cable Boot
3	83697	1	Cable Assy, Module to Auger Motor	ns	83712	1	Vibrator Extension Harness, 24"
4	78415	1	Cable Assy, Spinner Motor, Hopper	ns	D6514	1	Center High Mount Stop Light (CHMSL)
5	83696	1	Harness, Spinner Chute	ns	D6529*	2	#10-32 x 1-1/4 Machine Screw SS
6	78382	1	Vibrator Harness Assembly	ns	D6518*	2	#10-32 x 1-1/4 Locknut SS
7	78385	1	Cable Assy, Mod. to Isolated Stud				
Item 1 78402 Vehicle Side Harness Kit							
8	69902	1	Vehicle Control Harness	12	95836	1	Fuse, 100 Amp
9	76057	1	Vehicle Harness Assy (incl. item 10)	13	95837	2	Fuse Holder/Isolated Stud Block
10	99759	1	Plug Cover	ns		6	Cable Tie, HD
11	22511	1	22" Battery Cable – Red	ns		10	Cable Tie, 15.35"
Electrical Box Components							
13	95837	1	Fuse Holder/Isolated Stud Block	14	52375	1	Spreader Module, 5-Post
ns = not shown				SS = Stainless Steel			

* CHMSL Mounting Hardware



VX-3200 V-Maxx™ G2 HOPPER SPREADER

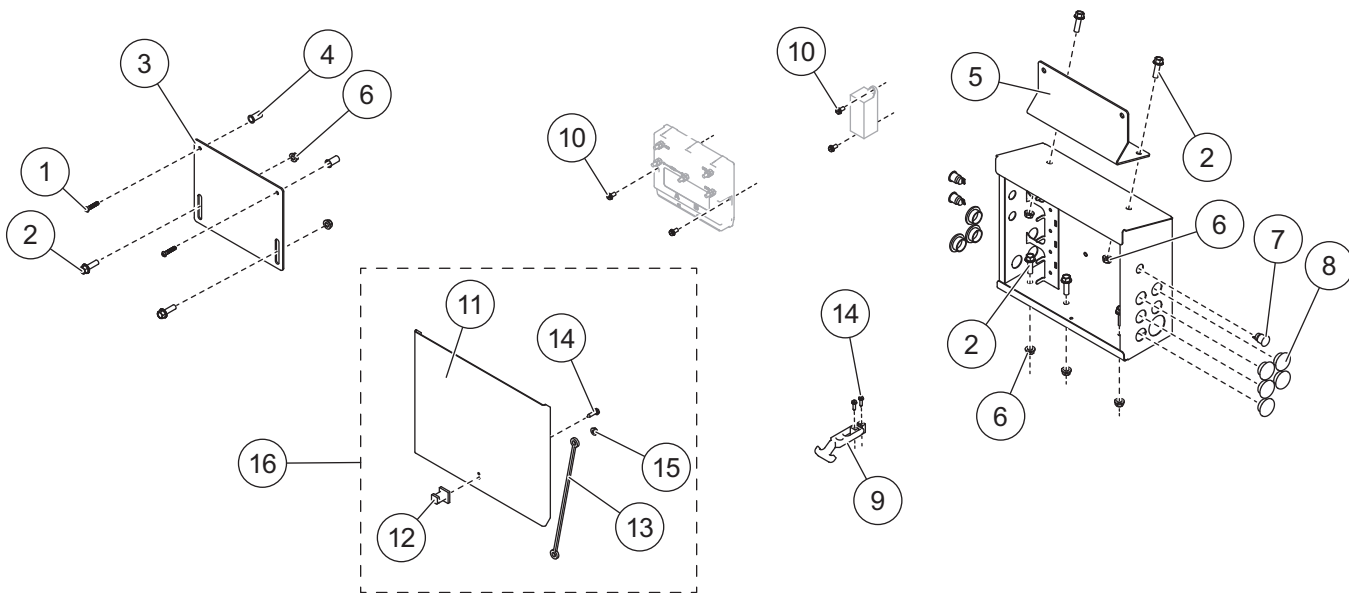
CONTROL AND ELECTRICAL COMPONENTS



Cab Control						
Item	Part	Qty	Description	Item	Part	Qty Description
1	52430	1	Cab Control Kit	3	52432	1 Cab Control 2-Knob
2	52345	1	Cab Control Bracket Kit			
Item 1			52430 Cab Control Kit			
2	52345	1	Cab Control Bracket Kit	3	52432	1 Cab Control 2-Knob
Item 2			52345 Cab Control Bracket Kit			
		1	Bracket, Control Inner	6	2	1/4-20 x 1/2 Pan Head Machine Screw SS – Black
		1	Bracket, Control Outer	7	2	1/4 Shoulder Washer SS – Black
4		3	#10 x 3/8 Pan Head Tapping Screw SS	8	2	1/4 Lock Washer SS
5		4	#8 x 3/8 Pan Head Machine Screw	9	2	1/4-20 Hex Nut G5 – Black
			SS = Stainless Steel	G = Grade		

VX-3200 V-Maxx™ G2 HOPPER SPREADER

ELECTRICAL BOX ASSEMBLY



99789 Electrical Box Assembly							
Item	Part	Qty	Description	Item	Part	Qty	Description
1	57966	2	1/4-20 x 1-1/4 Hex Cap Screw SS	10	78436	4	1/4-20 x 1/2 Washer Machine Screw SS
2	83641	7	3/8-16 x 1-1/4 Serrated Flange Screw G5	11	57014	1	Cover
3	56999	1	Bracket, Support Top	12	D6198	1	Latch Keeper
4	78263	2	1/4-20 Well Nut	13	43554	1	12" Lanyard Loop
5	57029	1	Bracket, Support Bottom	14	D6553	3	#10 x 3/4 Washer Head Slotted Screw
6	D6584	7	3/8-16 Serrated Flange Nut	15	T15133	1	1/4-20 Serrated Flange Nut
7	99254	3	Switch, Push Button, MO	16	57016	1	Cover Assembly
8	99195	9	Break Through Plug	ns	83698	1	Labels – Electronic Assembly
9	D6105	1	Flexible Draw Latch				
Item 16				57016 Cover Assembly			
11	57014	1	Cover	14	D6553	3	#10 x 3/4 Washer Head Slotted Screw
12	D6198	1	Latch Keeper	15	T15133	1	1/4-20 Serrated Flange Nut
13	43554	1	12" Lanyard Loop				
SS = Stainless Steel			ns = not shown		G = Grade		



TrynEx International, LLC
531 Ajax Drive
Madison Heights, MI 48071-2429
www.snowexproducts.com

 A DIVISION OF DOUGLAS DYNAMICS, LLC

Copyright © 2017 Douglas Dynamics, LLC. All rights reserved. This material may not be reproduced or copied, in whole or in part, in any printed, mechanical, electronic, film or other distribution and storage media, without the written consent of TrynEx International, LLC. Authorization to photocopy items for internal or personal use by TrynEx International, LLC, outlets or spreader owner is granted.

TrynEx International, LLC, reserves the right under its product improvement policy to change construction or design details and furnish equipment when so altered without reference to illustrations or specifications used. TrynEx International, LLC, or the vehicle manufacturer may require or recommend optional equipment for spreaders. Do not exceed vehicle ratings with a spreader. TrynEx International, LLC, offers a limited warranty for all spreaders and accessories. See separately printed page for this important information. The following are registered (®) or unregistered (™) trademarks of Douglas Dynamics, LLC: SnowEx®, TrynEx®, V-Maxx™.

Printed in U.S.A.