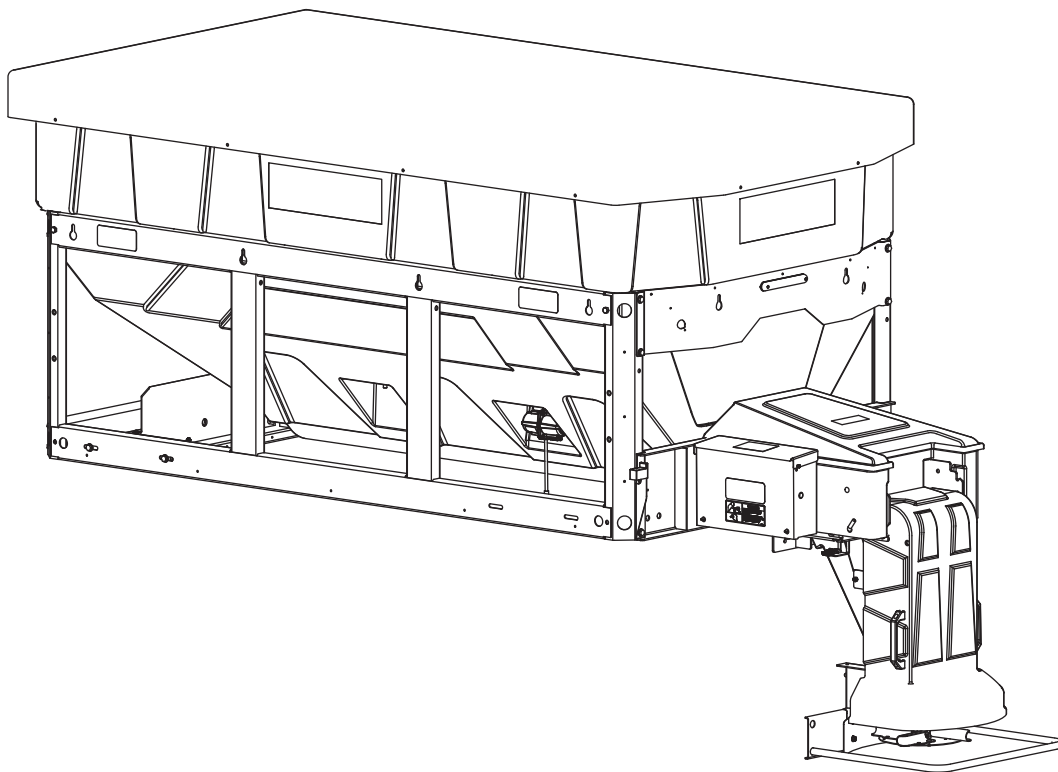




V-Maxx™ G2 Hopper Spreader

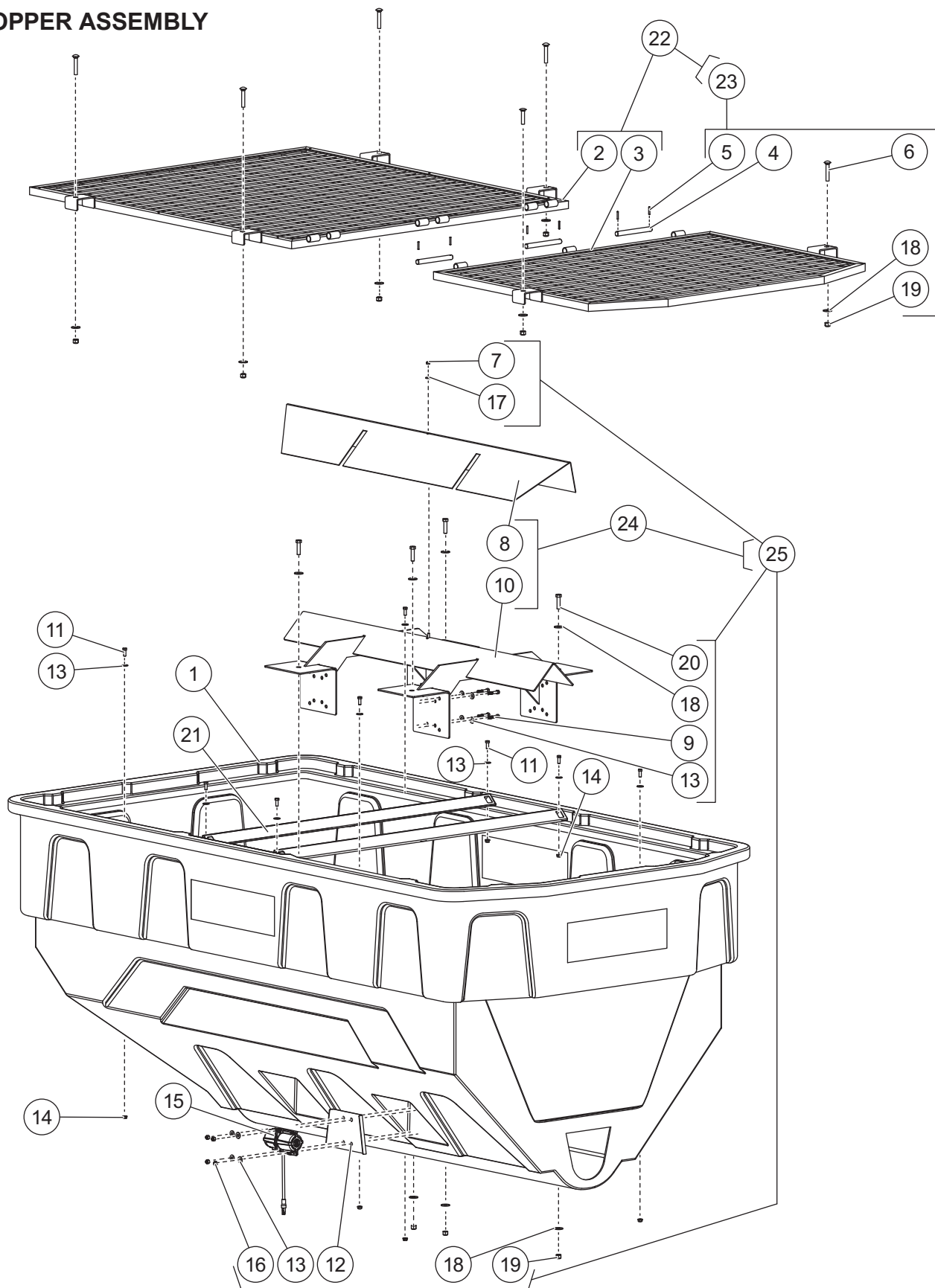
VX-6010

Parts List

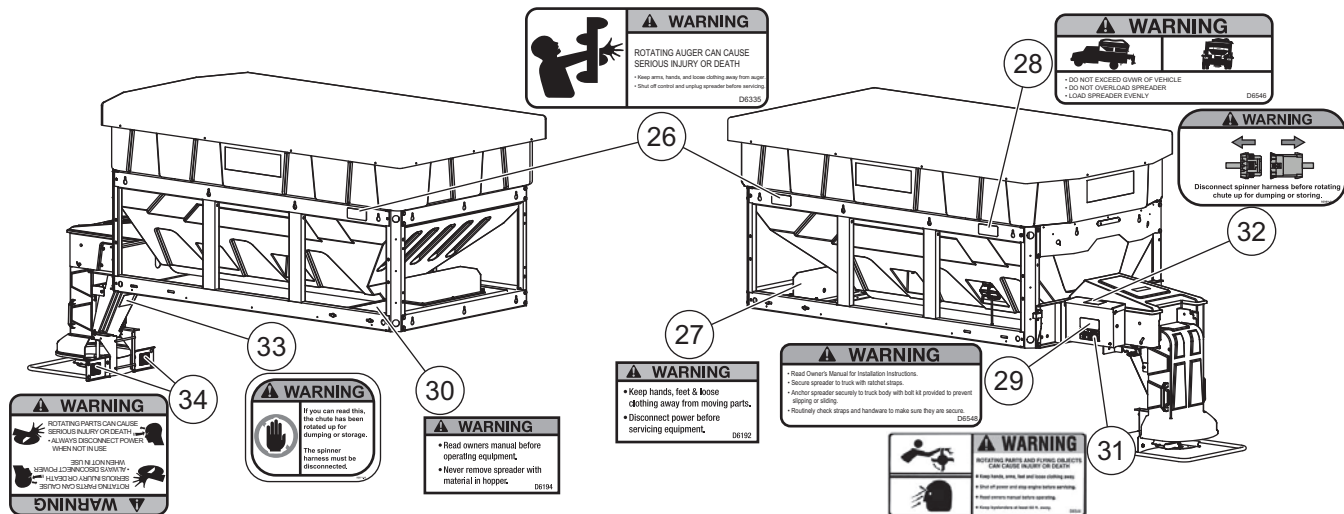


VX-6010 V-Maxx™ G2 HOPPER SPREADER

HOPPER ASSEMBLY



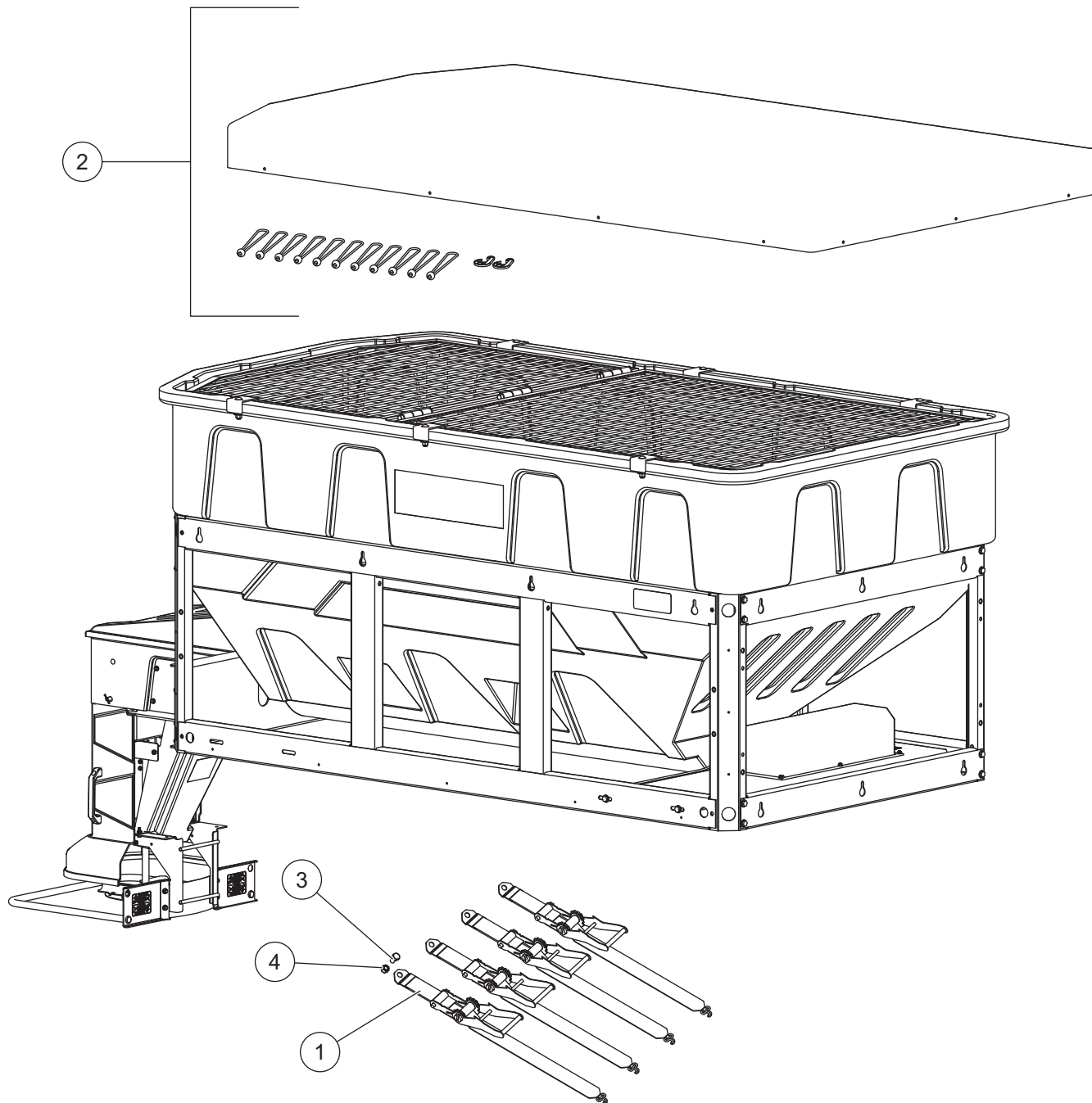
VX-6010 V-Maxx™ G2 HOPPER SPREADER



Item	Part	Qty	Description	Item	Part	Qty	Description
1	F50298	1	Hopper	19	D4120	10	1/2 Locknut
2	F50401	1	Top Screen Front Section	20	D4206	4	1/2-13 x 2 Hex Cap Screw
3	F50402	1	Top Screen Rear Section	21	F51290	2	Cross Bar
4	F50400	3	3/4 x 7-1/4 Pin	22	83787	1	Top Screen Kit
5	D5921	6	3/16 x 1-1/4 Spring Pin	23	83788	1	Top Screen Mounting Hardware
6	F51284	6	1/2-13 x 3 Carriage Bolt	24	83789	1	Inverted V Kit
7	D6138	1	5/16-18 Locknut	25	83790	1	Inverted V Mounting Hardware
8	F50954	1	Inverted V Salt Baffle	26	D6335	2	Label – Warning, Rotating Auger
9	D6160	4	3/8-16 x 2 Hex Cap Screw	27	D6192	1	Label – Warning, Hands and Feet
10	F50375	1	Inverted V Assembly	28	D6546	1	Label – Warning, Do Not Overload
11	D4121	8	3/8-16 x 1 Hex Cap Screw	29	D6548	1	Label – Warning, Owner's Manual
12	D6811	1	Inverted V Backing Plate	30	D6194	1	Label – Warning, Before Operating
13	D4125	16	3/8 Flat Washer	31	D6544	1	Label – Warning, Rotating Parts
14	D6584	8	3/8-16 Serrated Flange Locknut	32	92969	1	Label – Warning, Chute Disconnect
15	51068	1	Heavy Duty Vibrator, DC-200	33	92971	1	Label – Warning, Disconnect Spinner
16	D4124	4	3/8-16 Locknut	34	F50645	2	Label – Warning, Spinner
17	D6165	1	5/16 Flat Washer SS	ns	83691	2	Label – SnowEx® V-Maxx™ G2
18	D4119	14	1/2 Flat Washer				
Item 22 83787 Top Screen Kit							
2	F50401	1	Top Screen Front Section	23	83788	1	Top Screen Mounting Hardware
3	F50402	1	Top Screen Rear Section				
Item 23 83788 Top Screen Mounting Hardware							
4	F50400	3	3/4 x 7-1/4 Pin	18	D4119	6	1/2 Flat Washer
5	D5921	6	3/16 x 1-1/4 Spring Pin	19	D4120	6	1/2 Locknut
6	F51284	6	1/2-13 x 3 Carriage Bolt				
Item 24 83789 Inverted V Kit							
8	F50954	1	Inverted V Salt Baffle	25	83790	1	Inverted V Mounting Hardware
10	F50375	1	Inverted V Assembly				
Item 25 83790 Inverted V Mounting Hardware							
7	D6138	1	5/16-18 Locknut	17	D6165	1	5/16 Flat Washer SS
9	D6160	4	3/8-16 x 2 Hex Cap Screw	18	D4119	12	1/2 Flat Washer
12	D6811	1	Inverted V Backing Plate	19	D4120	9	1/2 Locknut
13	D4125	16	3/8 Flat Washer	20	D4206	3	1/2-13 x 2 Hex Cap Screw
16	D4124	4	3/8-16 Locknut				
ns = not shown				SS = Stainless Steel			

VX-6010 V-Maxx™ G2 HOPPER SPREADER

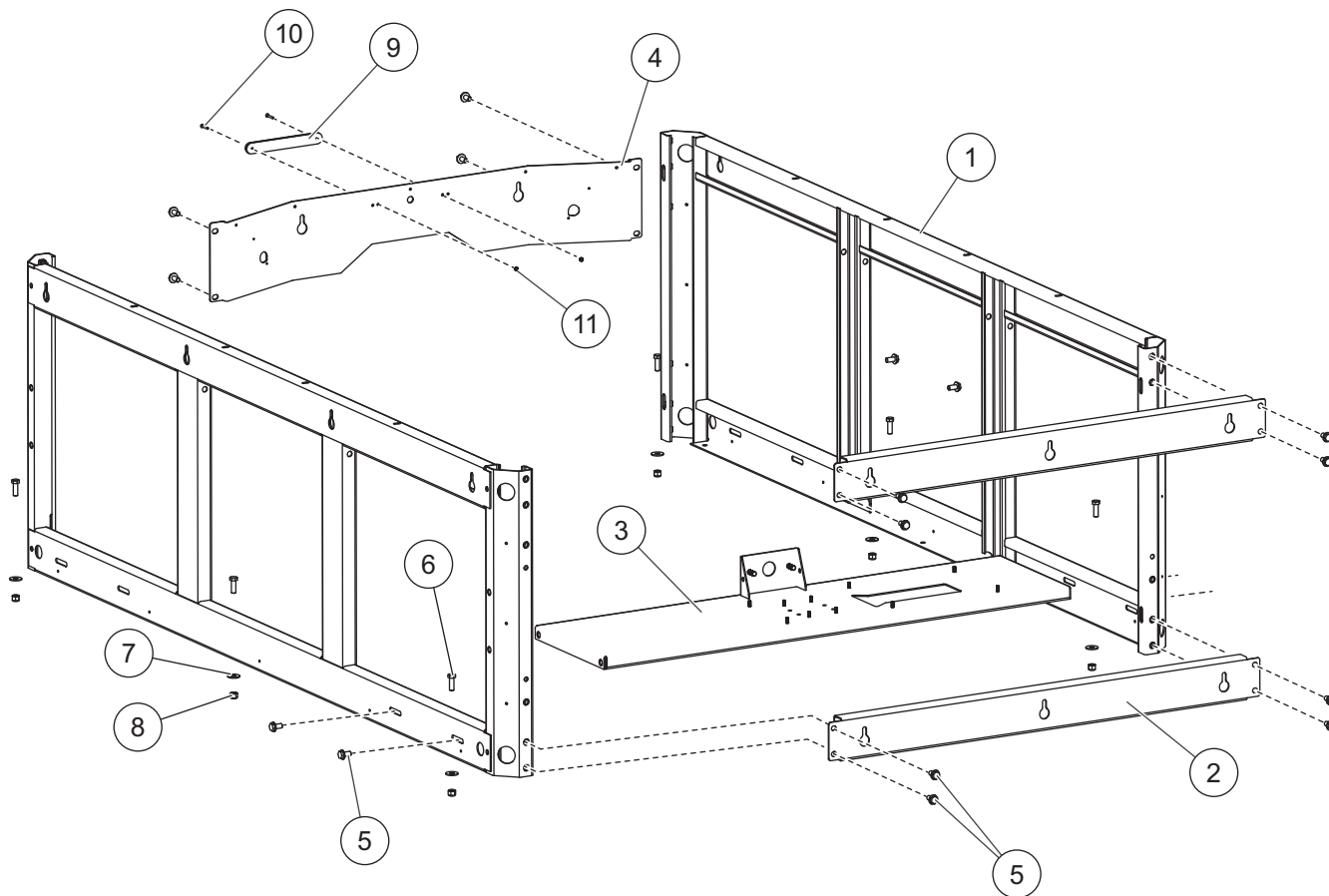
RATCHET STRAPS & COVER



Ratchet Straps and Cover							
Item	Part	Qty	Description	Item	Part	Qty	Description
1	F50600	1	Ratchet Strap, pkg of 4	3	D4115	4	1/2-13 x 1 Hex Cap Screw
2	F50471	1	Tarp Kit	4	D4120	4	1/2-13 Locknut

VX-6010 V-Maxx™ G2 HOPPER SPREADER

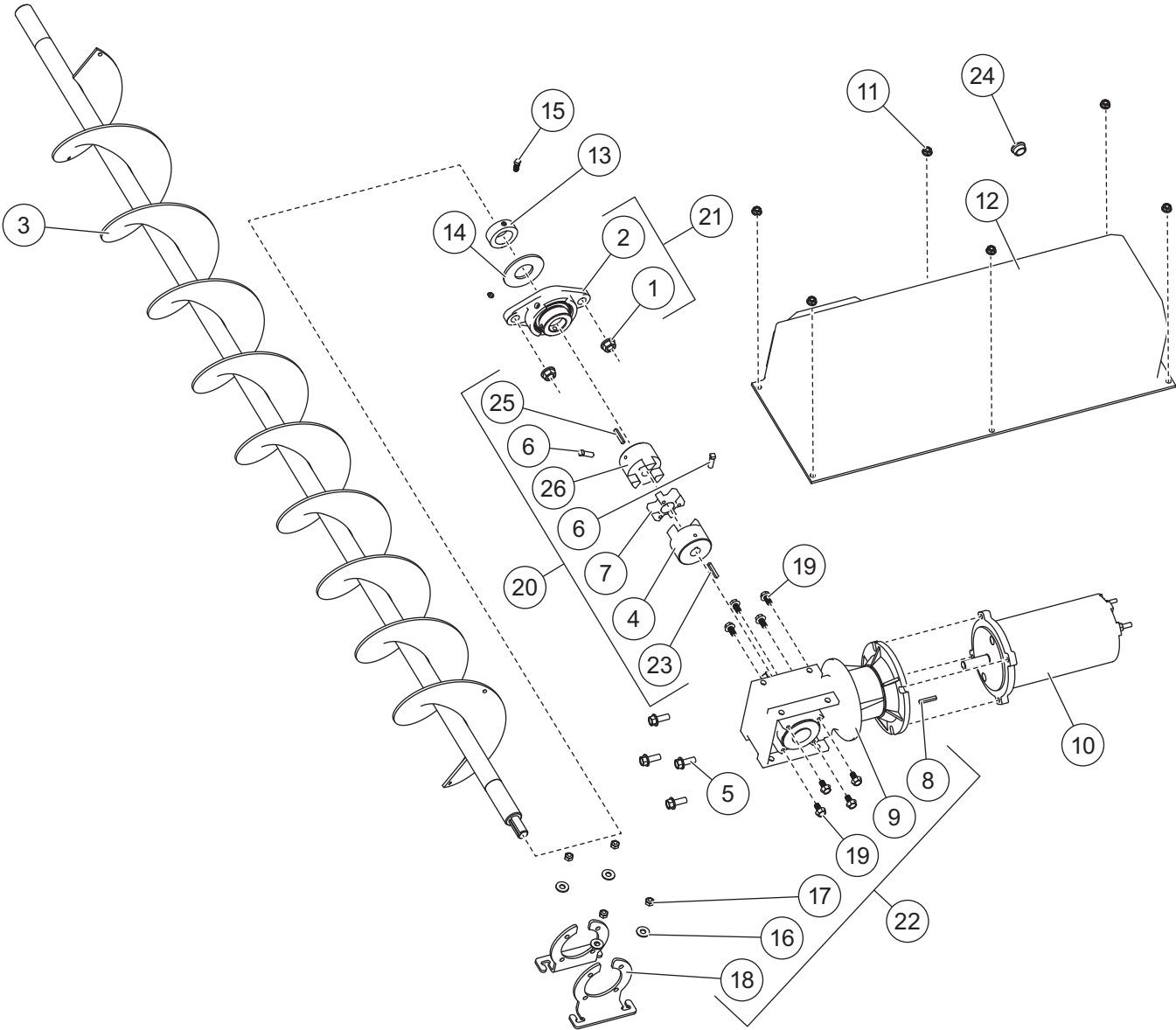
FRAME & MOUNTING HARDWARE



Frame and Mounting Hardware							
Item	Part	Qty	Description	Item	Part	Qty	Description
1	F50395	2	Side Frame	7	D4119	6	1/2 Flat Washer
2	F50398	2	Upper/Lower Front Rail	8	D4120	6	1/2 Locknut
3	F50374	1	Auger Motor/Transmission Support	9	D6514	1	CHMSL Brake Light
4	F50391-1	1	Rear Apron	10	D6529	2	#10-32 x 1-1/4 Phillips Pan Screw
5	D6528	16	1/2-13 x 1 Serrated Hex Cap Screw	11	D6158	2	#10-32 Locknut
6	D4116	6	1/2-13 x 1-1/2 Hex Cap Screw				

VX-6010 V-Maxx™ G2 HOPPER SPREADER

AUGER DRIVE ASSEMBLY



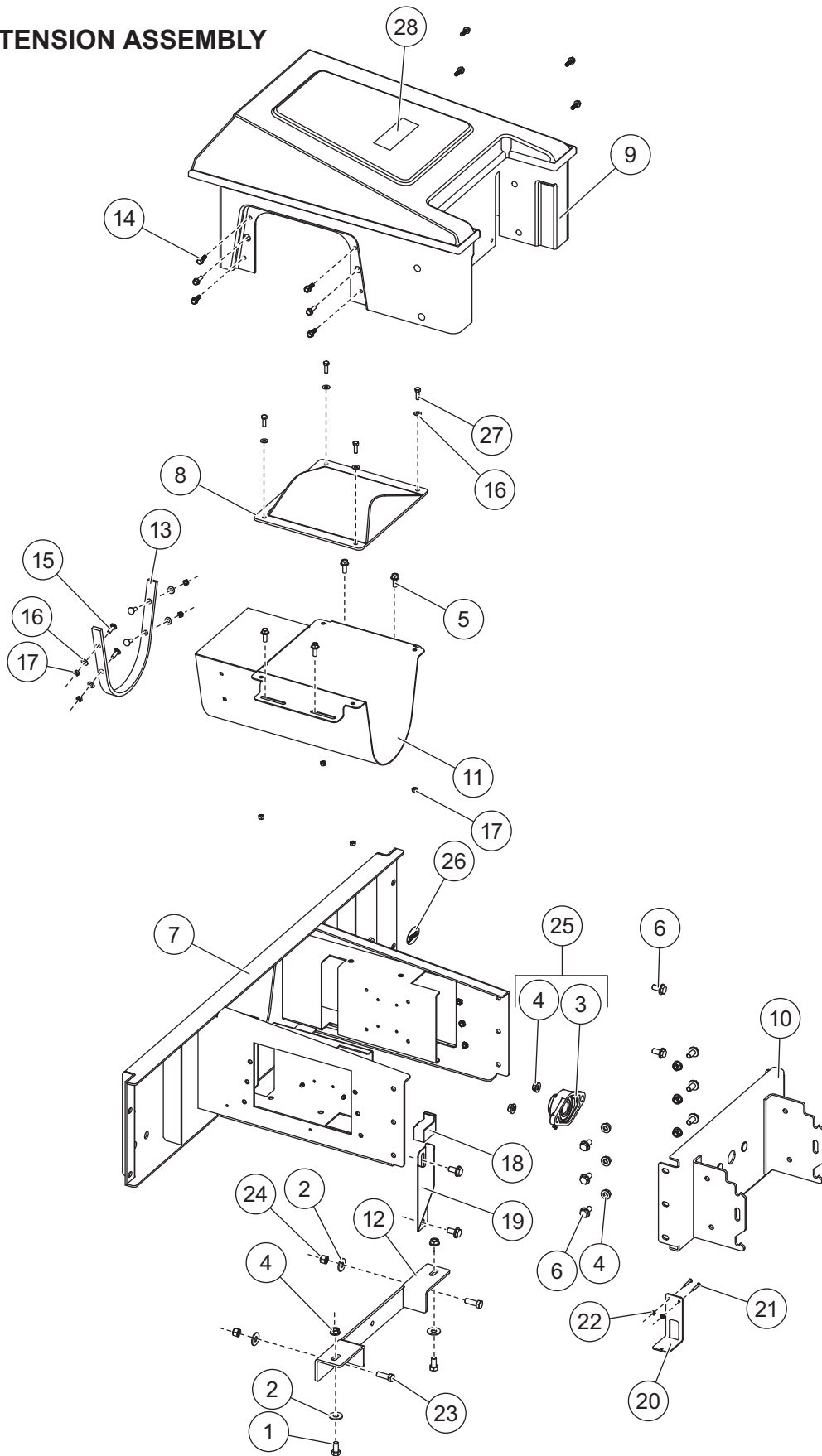
VX-6010 V-Maxx™ G2 HOPPER SPREADER

AUGER DRIVE ASSEMBLY

Item	Part	Qty	Description	Item	Part	Qty	Description
1	D5535	2	1/2-13 Serrated Flange Nut	14	D6789	1	Auger Shaft Hopper Washer
2	D5382	1	Auger Bearing	15	D7162	1	5/16-18 x 3/4 Set Screw
3	F50247	1	114" Auger	16	D6165	4	5/16 Flat Washer
4	F50513	1	Auger Coupler	17	D6138	4	5/16-18 Locknut
5	D6452	4	3/8-16 x 1 Serrated Flange Bolt	18	D6752-1	2	Transmission Support Bracket
6	D7163	2	5/16-18 x 1 Coupler Set Screw	19	D5753	8	M8-1.25 x 16 mm Flange Bolt
7	F50514	1	Urethane Coupler Spider	20	83738	1	Auger Coupler Kit
8	D6873	1	3/16 Key Stock	21	99794	2	Auger Bearing Kit
9	D6894	1	Auger Transmission	22	96601	1	Auger Transmission Kit
10	D6872	1	Auger Motor	23	F51936	1	3/16 x 1 Key Stock
11	D5706	6	5/16-18 Serrated Flange Nut	24	99195	1	Break Through Plug
12	D6868	1	Auger Motor Cover	25	F51527	1	1/4 x 1-1/4 Machine Key
13	D6792	1	Auger Shaft Hopper Collar	26	F50533	1	1" Auger Coupler
Item 20				83738 Auger Coupler Kit			
4	F50513	1	Auger Coupler	23	F51936	1	3/16 x 1 Key Stock
6	D7163	2	Coupler Set Screw	25	F51527	1	1/4 x 1-1/4 Machine Key
7	F50514	1	Urethane Coupler Spider	26	F50533	1	1" Auger Coupler
Item 21				99794 Auger Bearing Kit			
1	D5535	2	1/2-13 Serrated Flange Nut	2	D5382	1	Auger Bearing
Item 22				96601 Auger Transmission Kit			
8	D6873	2	3/16 Key Stock	17	D6138	4	5/16-18 Locknut
9	D6894	1	Auger Transmission	18	D6752-1	2	Transmission Support Bracket
16	D6165	4	5/16 Flat Washer	19	D5753	8	M8-1.25 x 16 mm Flange Bolt
M = Metric							

VX-6010 V-Maxx™ G2 HOPPER SPREADER

AUGER EXTENSION ASSEMBLY



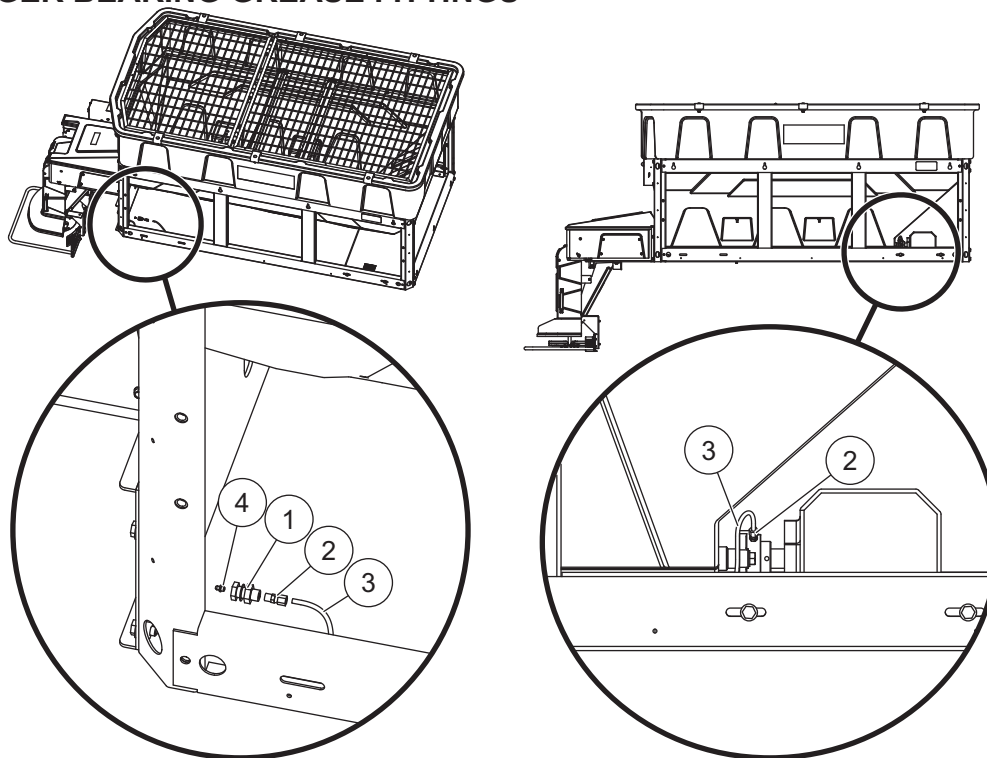
VX-6010 V-Maxx™ G2 HOPPER SPREADER

AUGER EXTENSION ASSEMBLY

Auger Extension Assembly							
Item	Part	Qty	Description	Item	Part	Qty	Description
1	D4115	2	1/2-13 x 1 Hex Cap Screw	15	F50912	4	5/16-18 x 1 Carriage Bolt SS
2	D4119	4	1/2 Flat Washer SS	16	D5949	8	3/8 Flat Washer SS
3	D5382	1	1-1/4 Bearing 2-Bolt Flange	17	T15018	8	5/16-18 Locknut SS
4	D5535	10	1/2-13 Serrated Flange Nut	18	99775	1	Cable Boot
5	D6452	4	3/8-16 x 1 Serrated Flange Bolt	19	57116	1	Cable Boot Bracket
6	D6528	10	1/2-13 x 1 Serrated Hex Cap Screw	20	57247	1	Harness Plug Bracket
7	F50372-1	1	Rear Extension	21	D6529	2	#10-32 x 1-1/4 Pan Head Screw SS
8	F50888	1	Discharge Trough Cover	22	D6158	2	#10-32 Locknut SS
9	57074	1	Auger Extension Cover	23	D4116	2	1/2-13 x 1-1/2 Cap Screw
10	F50393	1	Spinner Drive Mount Assembly	24	D4120	2	1/2-13 Locknut
11	F50884	1	Discharge Trough	25	99794	1	Auger Bearing Kit
12	F50465	1	Rear Stop Bracket	26	D6829	1	Label – Attention, Grease
13	F50894	1	Rubber Seal	27	D6418	4	5/16 x 1 Hex Cap Screw SS
14	F50587	10	5/16-18 x 1 Serrated Flange Bolt	28	83692	1	Label – Pre-Wet Mixing Chamber
Item 25				99794 Auger Bearing Kit			
3	D5382	1	1-1/4 Bearing 2-Bolt Flange	4	D5535	10	1/2-13 Serrated Flange Nut

SS = Stainless Steel

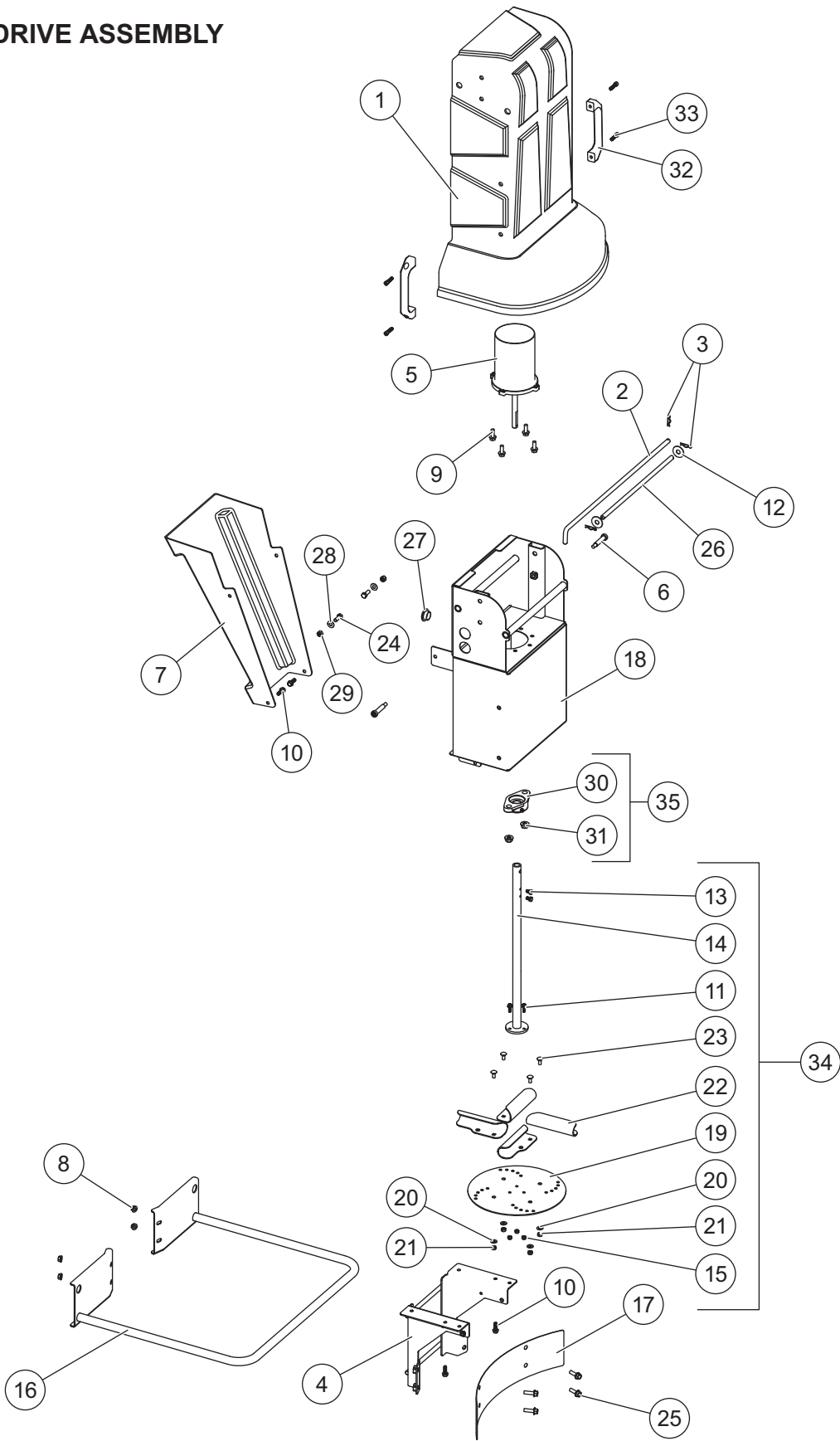
FRONT AUGER BEARING GREASE FITTINGS



Front Auger Bearing Grease Fittings							
Item	Part	Qty	Description	Item	Part	Qty	Description
1	D6982	1	1/8 Bulkhead Coupling, Brass	3	D6987	1	1/4 x 130 Tubing
2	D6984	2	1/4 Tube x 1/8 Male Thread Compression Fitting	4	D6983	1	1/8 Grease Fitting, Straight

VX-6010 V-Maxx™ G2 HOPPER SPREADER

SPINNER DRIVE ASSEMBLY



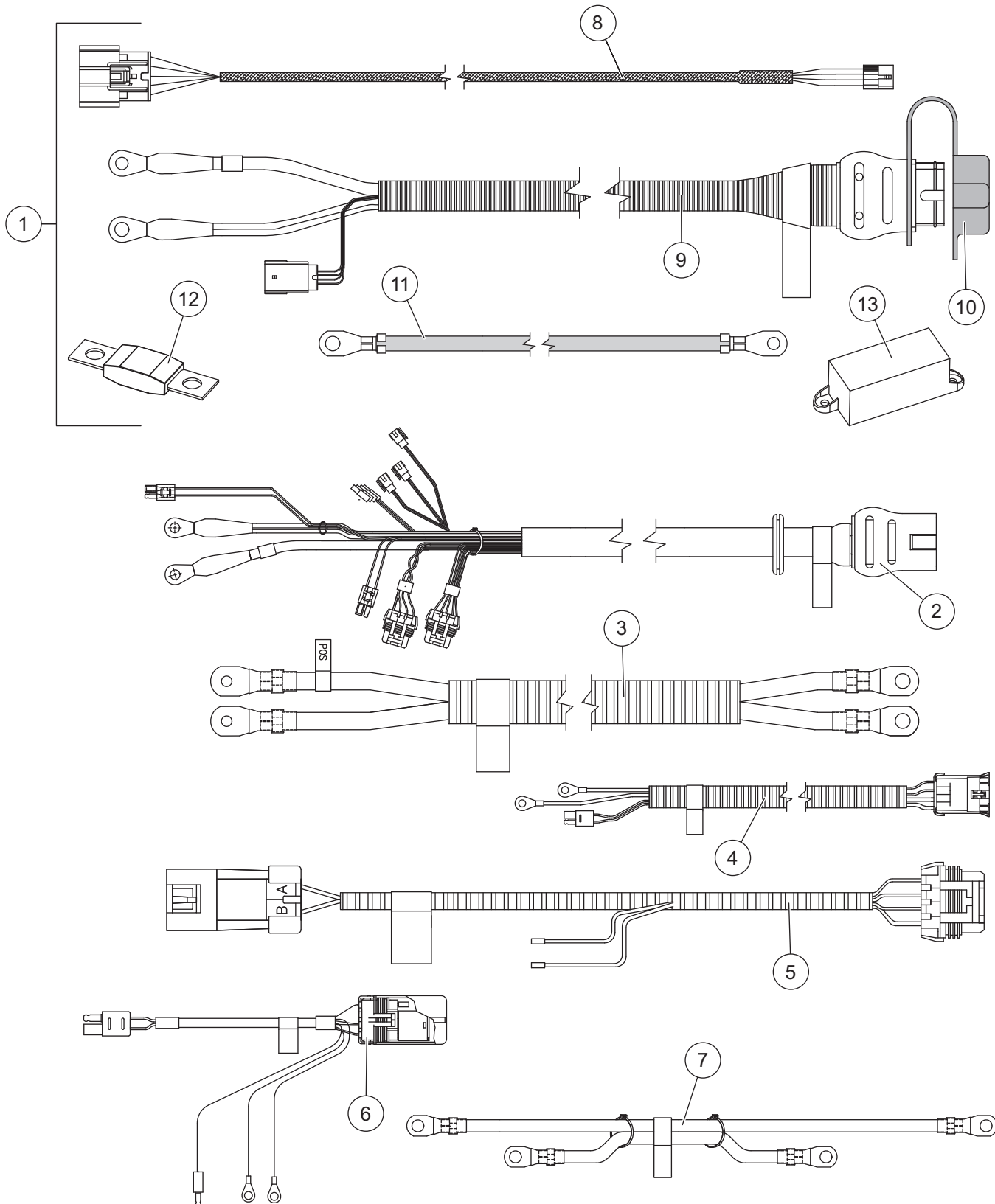
VX-6010 V-Maxx™ G2 HOPPER SPREADER

SPINNER DRIVE ASSEMBLY

83764 Spinner Drive Assembly							
Item	Part	Qty	Description	Item	Part	Qty	Description
1	F50405	1	Spinner Drive Cover	18	F50376	1	Drive Enclosure
2	F50366	1	1/2 x 25-1/2 Bent Pin	19	F50517	1	Spinner Plate
3	D4135	3	.093 x 2-3/8 Hairpin Cotter	20	D5949	4	3/8 Flat Washer SS
4	F50316	1	Deflector Frame	21	T15018	4	5/16-18 Locknut SS
5	D6887	1	Direct Drive Spinner Motor	22	T30207	4	Cupped Spinner Fin
6	F50407	2	1/2-13 x 2 Shoulder Bolt	23	D5022	4	5/16-18 x 3/4 Carriage Bolt SS
7	F50371	1	Material Chute	24	F50110	2	3/8-16 x 1 Hex Cap Screw SS
8	D6584	4	3/8-16 Serrated Flange Locknut	25	83641	4	3/8-16 x 1-1/4 Serrated Flange Bolt SS
9	D6452	4	3/8-16 x 1 Serrated Flange Bolt Type F	26	F51048	1	Hinge Pin
10	D6453	4	5/16 x 1 Serrated Flange Bolt SS	27	99195	1	Break Through Plug
11	D6854	3	1/4-20 x 1 Serrated Hex Washer Head Cap Screw SS	28	D6169	2	3/8 Flat Washer SS
12	D6581	2	1/2 Fender Washer	29	T30728	2	3/8-16 Locknut SS
13	T15049	2	5/16-18 x 1/2 Hex Cap Screw SS	30	D5527	1	1" Bearing
14	F50394	1	Spinner Hub	31	D5535	2	1/2-13 Serrated Flange Nut
15	T15016	3	1/4-20 Waxed Locknut SS	32	D5248	2	Handle
16	57246	1	Spinner Guard Tube (incl. items 8 & 25)	33	F50711	4	5/16-18 x 1-1/4 Socket Cap Screw
17	F50318	1	Material Deflector	ns	83696	1	Spinner Motor Harness
Item 34				83737 Spinner Hub Kit			
11	D6854	3	1/4-20 x 1 Serrated Hex Washer Head Cap Screw SS	19	F50517	1	Spinner Plate
13	T15049	2	5/16-18 x 1/2 Hex Cap Screw	20	D5949	4	3/8 Flat Washer SS
14	F50394	1	Spinner Hub	21	T15018	4	5/16-18 Locknut SS
15	T15016	3	1/4-20 Waxed Locknut SS	22	T30207	4	Cupped Spinner Fin
				23	D5022	4	5/16-18 x 3/4 Carriage Bolt SS
Item 35				83777 Spinner Bearing Kit			
30	D5527	1	1" Bearing	31	D5535	2	1/2-13 Serrated Flange Nut
ns = not shown				SS = Stainless Steel			

VX-6010 V-Maxx™ G2 HOPPER SPREADER

CONTROL & ELECTRICAL COMPONENTS



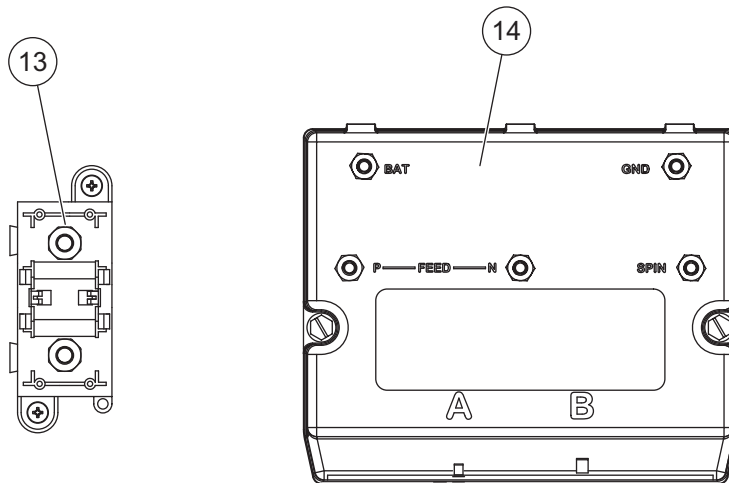
Not drawn to scale.

VX-6010 V-Maxx™ G2 HOPPER SPREADER

CONTROL & ELECTRICAL COMPONENTS

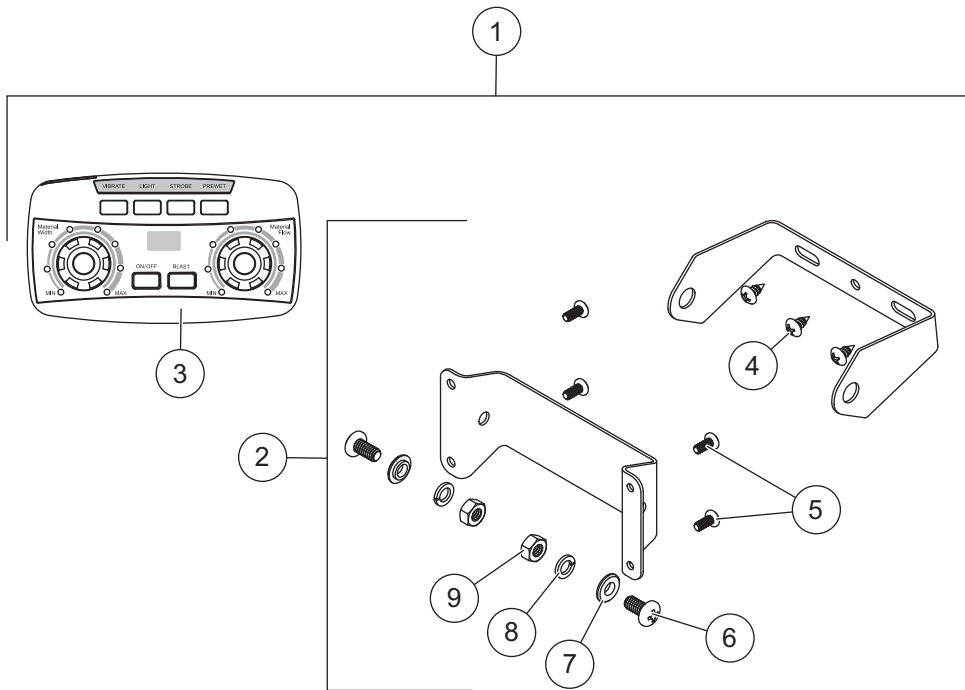
Cables & Harnessing / Electrical Enclosure Assembly							
Item	Part	Qty	Description	Item	Part	Qty	Description
1	83695	1	Vehicle Side Harness Kit	7	78385	1	Cable Assy, Module to Isolated Stud
2	83688	1	Cable Assy, Hopper	ns	83712	1	Extension Harness, 24"
3	83704	1	Cable Assy, Module to Auger Motor	ns	D6514	1	Center High Mount Stop Light (CHMSL)
4	78415	1	Cable Assy, Spinner Motor, Hopper	ns	D6529*	2	#10-32 x 1-1/4 Machine Screw SS
5	83696	1	Harness, Spinner Chute	ns	D6158*	2	#10-32 Locknut SS
6	78382	1	Vibrator Harness Assembly	ns	78391	1	Vibrator Extension Harness, 94"
Item 1 83695 Vehicle Side Harness Kit							
8	69902	1	Vehicle Control Harness	12	95836	1	Fuse, 100 A
9	83690	1	Vehicle Harness Assy (incl. item 10)	13	95837	2	Fuse Holder/Isolated Stud Block
10	99759	1	Plug Cover	ns		6	Cable Tie, HD
11	22511	1	22" Battery Cable – Red	ns		10	Cable Tie, 15.35"
Electrical Box Components							
13	95837	1	Fuse Holder/Isolated Stud Block	14	52375	1	Spreader Module, 5-Post
ns = not shown				SS = Stainless Steel			

* CHMSL Mounting Hardware



VX-6010 V-Maxx™ G2 HOPPER SPREADER

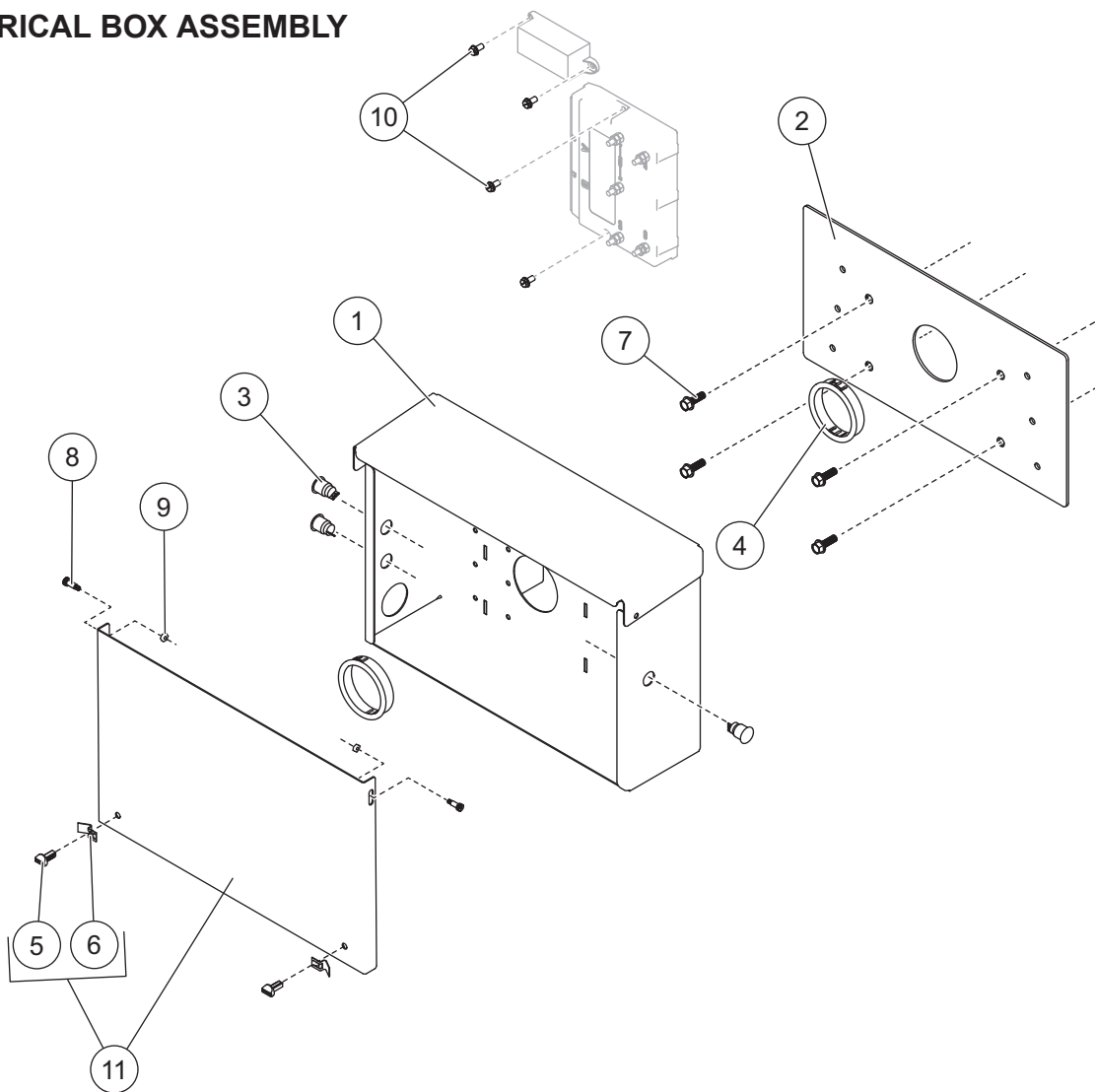
CONTROL & ELECTRICAL COMPONENTS



Cab Control							
Item	Part	Qty	Description	Item	Part	Qty	Description
1	52430	1	Cab Control Kit	3	52432	1	Cab Control 2-Knob
2	52345	1	Cab Control Bracket Kit				
Item 1				52430 Cab Control Kit			
2	52345	1	Cab Control Bracket Kit	3	52432	1	Cab Control 2-Knob
Item 2				52345 Cab Control Bracket Kit			
		1	Bracket, Control Inner	6		2	1/4-20 x 1/2 Pan Head Machine Screw SS – Black
		1	Bracket, Control Outer	7		2	1/4 Shoulder Washer SS – Black
4		3	#10 x 3/8 Pan Head Tapping Screw SS	8		2	1/4 Lock Washer SS
5		4	#8 x 3/8 Pan Head Machine Screw	9		2	1/4-20 Hex Nut G5 – Black
SS = Stainless Steel				G = Grade			

VX-6010 V-Maxx™ G2 HOPPER SPREADER

ELECTRICAL BOX ASSEMBLY



83754 Electrical Box Assembly							
Item	Part	Qty	Description	Item	Part	Qty	Description
1		1	Electrical Box	8	92981	2	#10-32 x 1/2 Shoulder Bolt
2	57121	1	Mounting Plate Assembly	9	D6158	2	#10-32 Locknut SS
3	99254	3	Switch, Push Button MO	10	78436	4	1/4-20 x 1/2 Hex Washer Head Machine Screw SS
4	78434	2	Locking Grommet, 3" OD	11	83757	1	Cover Assembly
5	94302	2	Latch Knob	ns	83698	1	Labels – Electronic Assembly
6	94301	2	Latch Pawl				
7	F50587	4	5/16-18 x 1 Serrated Flange Cap Screw				
Item 11		83757 Cover Assembly					
5	94302	2	Latch Knob	6	94301	2	Latch Pawl
			SS = Stainless Steel	ns = not shown			



TrynEx International, LLC
531 Ajax Drive
Madison Heights, MI 48071-2429
www.snowexproducts.com

 A DIVISION OF DOUGLAS DYNAMICS, LLC

Copyright © 2017 Douglas Dynamics, LLC. All rights reserved. This material may not be reproduced or copied, in whole or in part, in any printed, mechanical, electronic, film, or other distribution and storage media, without the written consent of TrynEx International, LLC. Authorization to photocopy items for internal or personal use by TrynEx International outlets or spreader owner is granted.

TrynEx International reserves the right under its product improvement policy to change construction or design details and furnish equipment when so altered without reference to illustrations or specifications used. TrynEx International or the vehicle manufacturer may require or recommend optional equipment for spreaders. Do not exceed vehicle ratings with a spreader. TrynEx International offers a limited warranty for all spreaders and accessories. See separately printed page for this important information. The following are registered (®) or unregistered (™) trademarks of Douglas Dynamics, LLC: SnowEx®, V-Maxx™.

Printed in U.S.A.