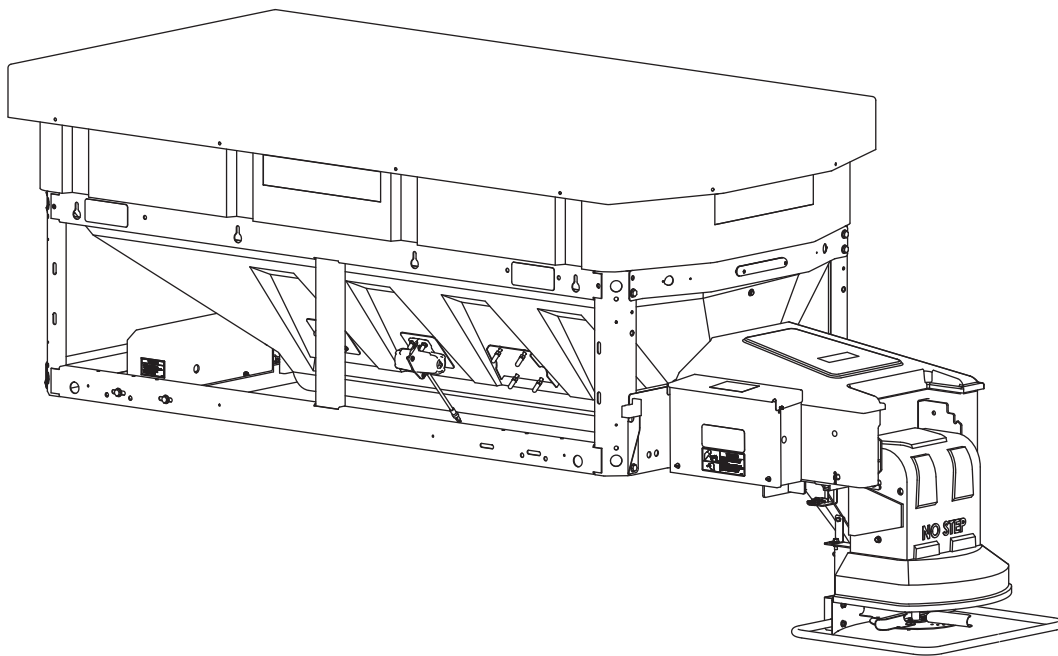




V-Maxx™ G2 Hopper Spreader

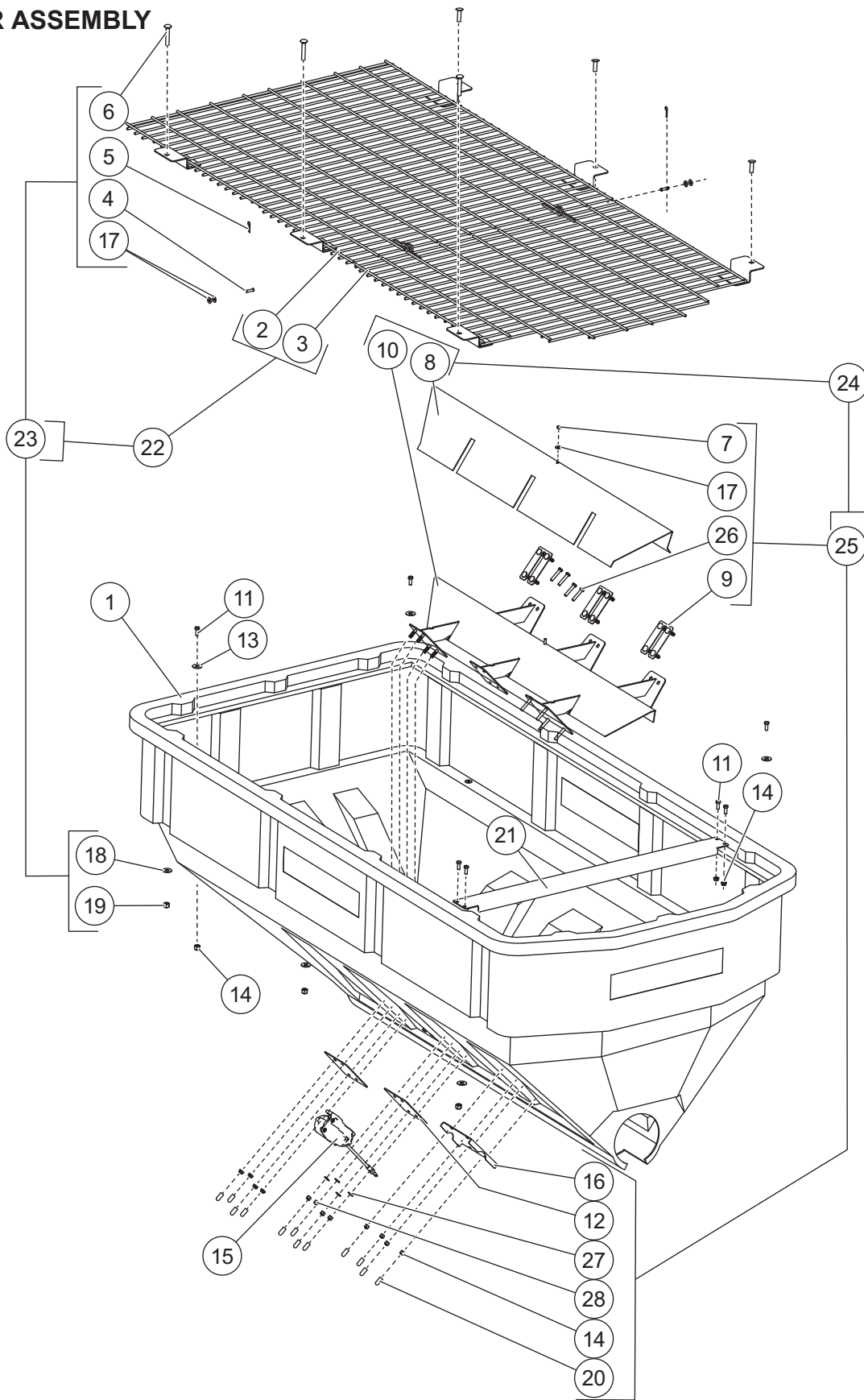
VX-3210

Parts List

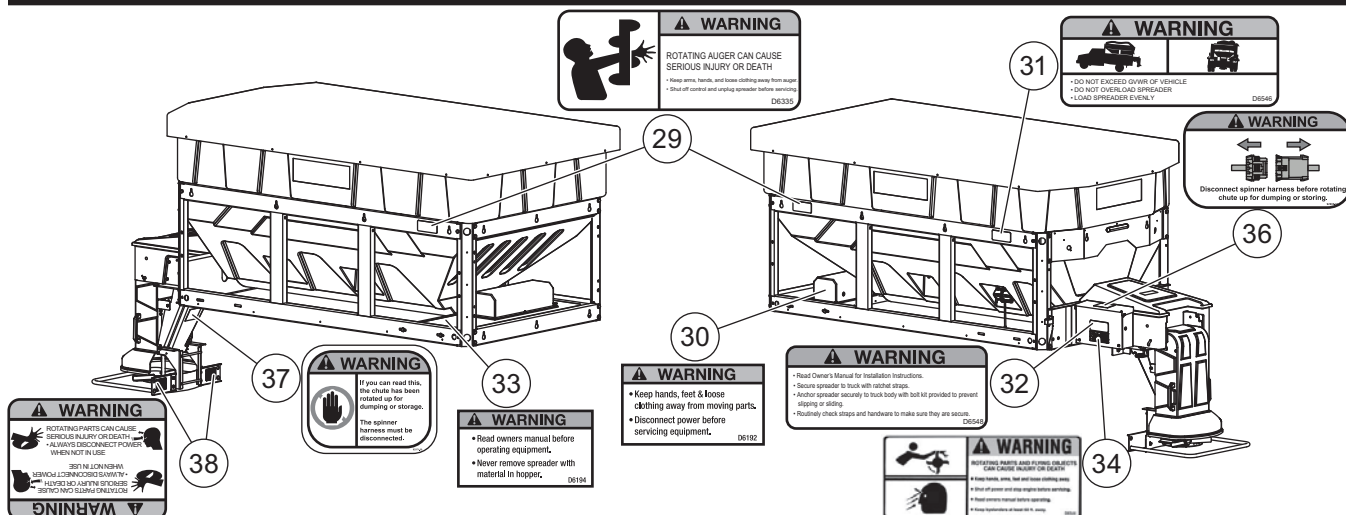


VX-3210 V-Maxx™ G2 HOPPER SPREADER

HOPPER ASSEMBLY



VX-3210 V-Maxx™ G2 HOPPER SPREADER



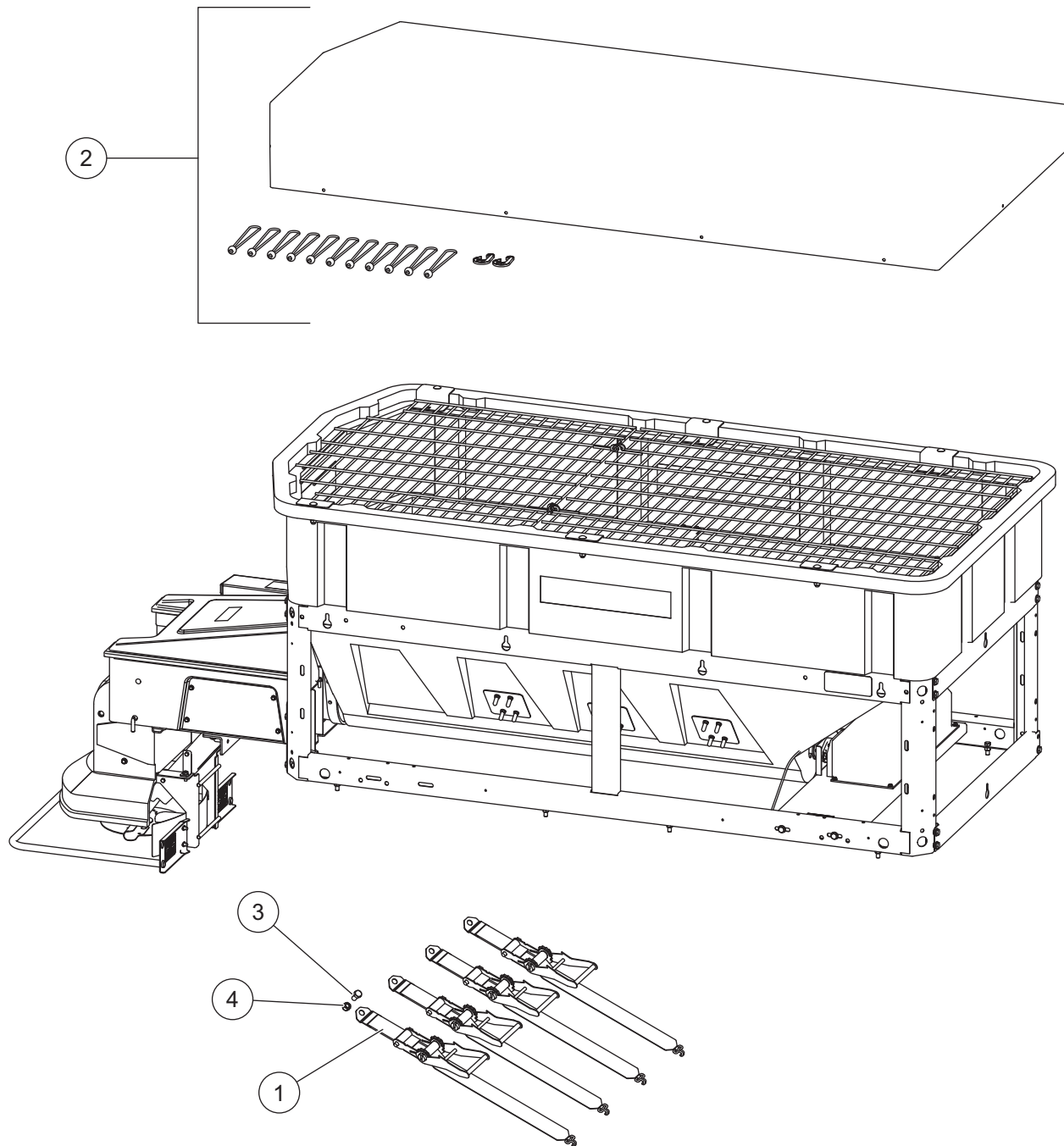
Item	Part	Qty	Description	Item	Part	Qty	Description
1	F50459	1	Hopper	21	D6898	1	Cross Bar
2	D6795	1	Top Screen Front Section	22	96602	1	Top Screen Service Kit
3	D6796	1	Top Screen Rear Section	23	96603	1	Top Screen Mounting Hardware
4	D6866	2	5/16 x 1-1/4 Clevis Pin	24	96604	1	Inverted V Service Kit
5	D6853	2	Hairpin Cotter	25	96605	1	Inverted V Mounting Hardware
6	F51284	6	1/2-13 x 3 Carriage Bolt	26	F50547	4	3/8-16 x 2 Hex Cap Screw SS
7	D6138	1	5/16-18 Locknut	27	D6169	4	3/8 Flat Washer SS
8	D6763	1	Inverted V Salt Baffle	28	T30728	4	3/8-16 Locknut SS
9	D6815	3	Bolt Plate, 4-Bolt	29	D6335	2	Label - Warning, Rotating Auger
10	D6764	1	Inverted V Assembly	30	D6192	1	Label - Warning, Hands and Feet
11	D4121	8	3/8-16 x 1 Hex Cap Screw	31	D6546	1	Label - Warning, Do Not Overload
12	D5508	5	Inverted V Backing Plate	32	D6548	1	Label - Warning, Owner's Manual
13	D4125	4	3/8 Flat Washer	33	D6194	1	Label - Warning, Before Operating
14	D6584	24	3/8-16 Serrated Flange Locknut	34	D6544	1	Label - Warning, Rotating Parts
15	51068	1	Heavy Duty Vibrator, DC-200	35	D6545	1	Label - Warning, No Step
16	D6860	1	Vibrator Backing Plate	36	92969	1	Label - Warning, Chute Disconnect
17	D6165	5	5/16 Flat Washer SS	37	92971	1	Label - Warning, Disconnect Spinner
18	D4119	6	1/2 Flat Washer	38	F50645	2	Label - Warning, Spinner
19	D4120	6	1/2 Locknut	ns	83691	2	Label - SnowEx® V-Maxx™ G2
20	T30820	24	3/8 x 1 Stud Cover				
Item 22 96602 Top Screen Service Kit							
2	D6795	1	Top Screen Front Section	23	96603	1	Top Screen Mounting Hardware
3	D6796	1	Top Screen Rear Section				
Item 23 96603 Top Screen Mounting Hardware							
4	D6866	2	5/16 x 1-1/4 Clevis Pin	17	D6165	4	5/16 Flat Washer SS
5	D6853	2	Hairpin Cotter	18	D4119	6	1/2 Flat Washer
6	F51284	6	1/2-13 x 3 Carriage Bolt	19	D4120	6	1/2 Locknut
Item 24 96604 Inverted V Service Kit							
8	D6763	1	Inverted V Salt Baffle	25	96605	1	Inverted V Mounting Hardware
10	D6764	1	Inverted V Assembly				
Item 25 96605 Inverted V Mounting Hardware							
7	D6138	1	5/16-18 Locknut	17	D6165	1	5/16 Flat Washer SS
9	D6815	3	Bolt Plate, 4-Bolt	20	T30820	24	3/8 x 1 Stud Cover
12	D5508	5	Inverted V Backing Plate	26	F50547	4	3/8-16 x 2 Hex Cap Screw SS
14	D6584	20	3/8-16 Serrated Flange Locknut	27	D6169	4	3/8 Flat Washer SS
16	D6860	1	Vibrator Backing Plate	28	T30728	4	3/8-16 Locknut SS

ns = not shown

SS = Stainless Steel

VX-3210 V-Maxx™ G2 HOPPER SPREADER

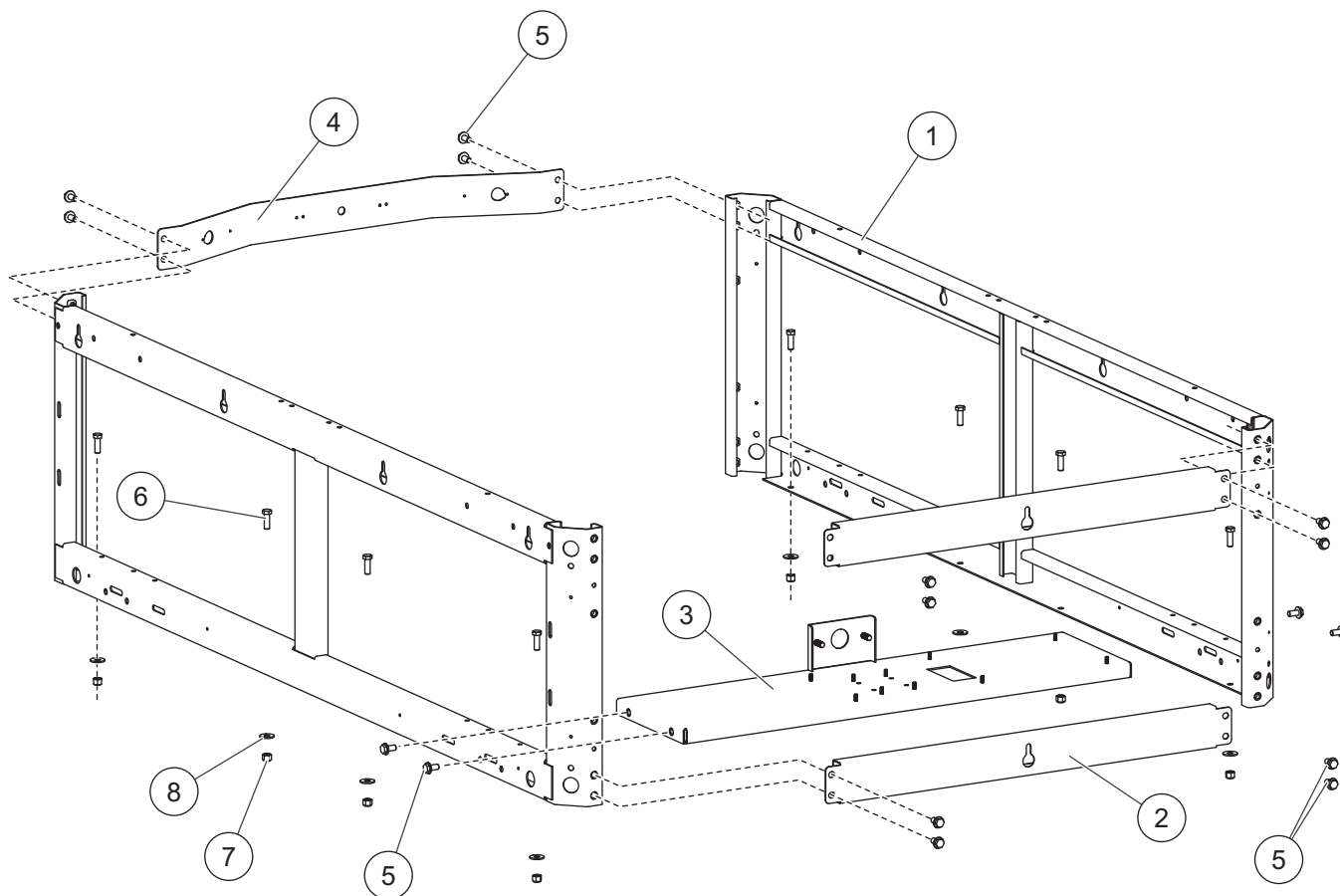
RATCHET STRAPS & COVER



Ratchet Straps and Cover							
Item	Part	Qty	Description	Item	Part	Qty	Description
1	F50600	1	Ratchet Strap, pkg of 4	3	D4115	4	1/2-13 x 1 Hex Cap Screw
2	D6794	1	Tarp Kit	4	D4120	4	1/2-13 Locknut

VX-3210 V-Maxx™ G2 HOPPER SPREADER

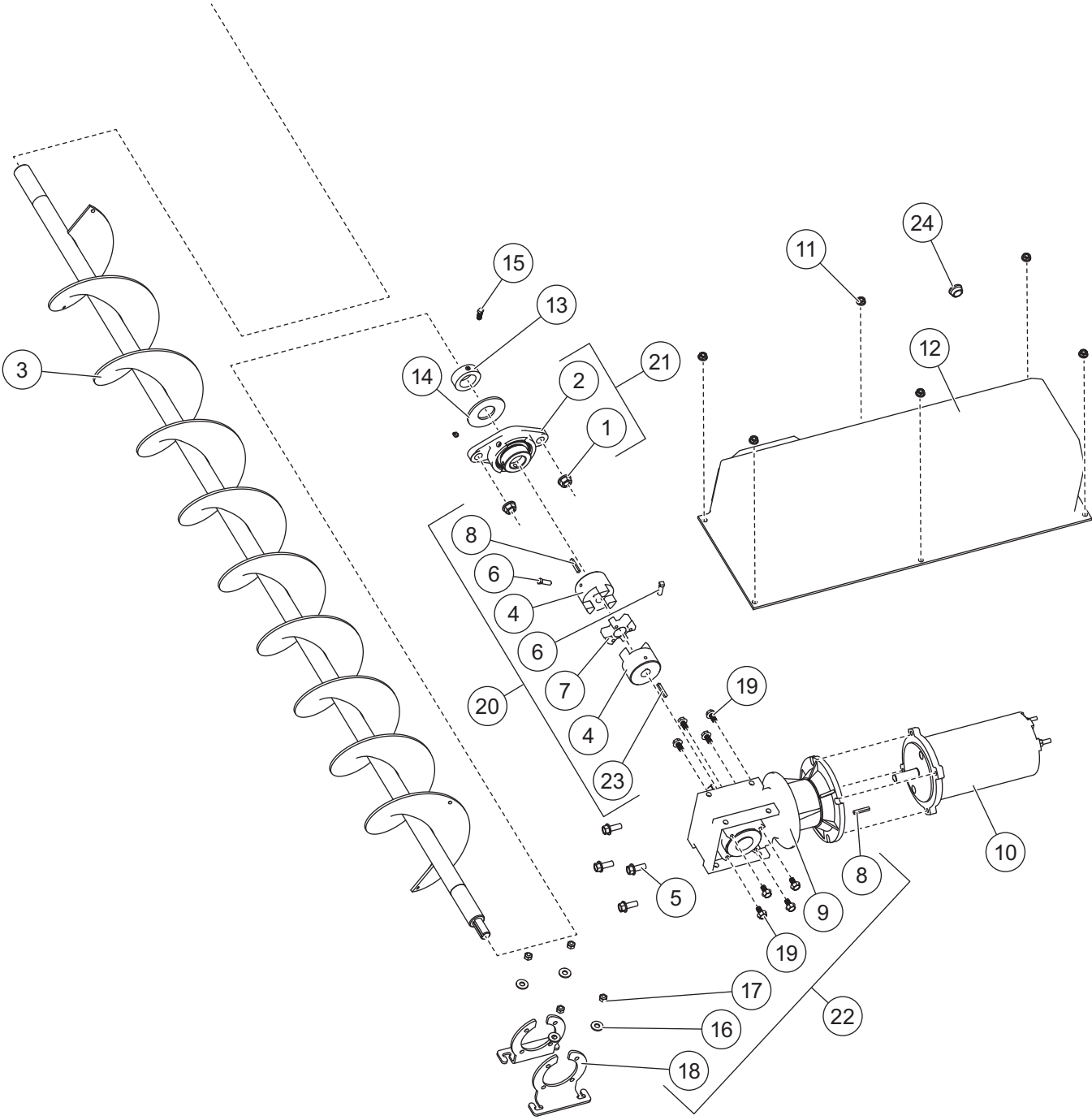
FRAME & MOUNTING HARDWARE



Frame and Mounting Hardware							
Item	Part	Qty	Description	Item	Part	Qty	Description
1	D6797-1	2	Side Frame	5	D6528	16	1/2-13 x 1 Serrated Hex Cap Screw
2	D6765	2	Upper/Lower Front Rail	6	D4116	8	1/2-13 x 1-1/2 Hex Cap Screw
3	D6884	1	Auger Motor/Transmission Support	7	D4120	8	1/2 Locknut
4	D6766-1	1	Rear Apron	8	D6756	8	1/2 Flat Washer

VX-3210 V-Maxx™ G2 HOPPER SPREADER

AUGER DRIVE ASSEMBLY



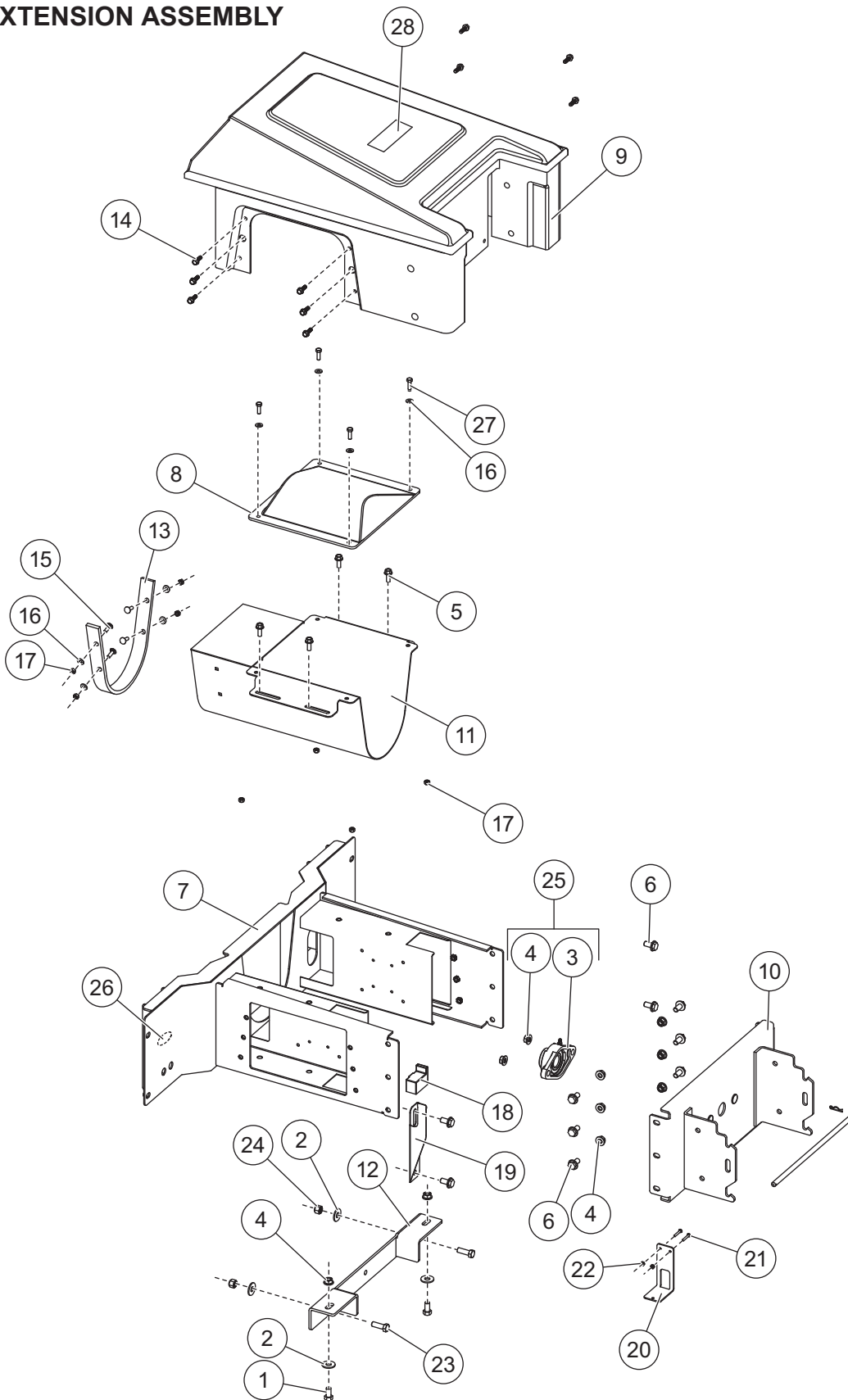
VX-3210 V-Maxx™ G2 HOPPER SPREADER

AUGER DRIVE ASSEMBLY

Auger Drive Assembly							
Item	Part	Qty	Description	Item	Part	Qty	Description
1	D5535	4	1/2-13 Serrated Flange Nut	13	D6792	1	Auger Shaft Hopper Collar
2	D5382	2	Auger Bearing	14	D6789	1	Auger Shaft Hopper Washer
3	F50444	1	Auger, 7 x 81	15	D7162	1	5/16-18 x 3/4 Set Screw
4	F50513	2	Auger Coupler	16	D6165	4	5/16 Flat Washer
5	D6452	4	3/8-16 x 1 Serrated Flange Bolt	17	D6138	4	5/16-18 Locknut
6	D7163	2	Coupler Set Screw	18	D6752-1	2	Transmission Support Bracket
7	F50514	1	Urethane Coupler Spider	19	D5753	8	M8-1.25 x 16 mm Flange Bolt
8	D6873	2	3/16 Key Stock	20	99793	1	Auger Coupler Kit
9	D6894	1	Auger Transmission	21	99794	1	Auger Bearing Kit
10	D6825	1	Auger Motor	22	96601	1	Auger Transmission Kit
11	D5706	6	5/16-18 Serrated Flange Nut	23	F51936	1	3/16 x 1 Key Stock
12	D6868	1	Auger Motor Cover	24	99195	1	Break Through Plug
Item 20				99793 Auger Coupler Kit			
4	F50513	2	Auger Coupler	8	D6873	1	3/16 Key Stock
6	D7163	2	Coupler Set Screw	23	F51936	1	3/16 x 1 Key Stock
7	F50514	1	Urethane Coupler Spider				
Item 21				99794 Auger Bearing Kit			
1	D5535	2	1/2-13 Serrated Flange Nut	2	D5382	1	Auger Bearing
Item 22				96601 Auger Transmission Kit			
8	D6873	2	3/16 Key Stock	17	D6138	4	5/16-18 Locknut
9	D6894	1	Auger Transmission	18	D6752-1	2	Transmission Support Bracket
16	D6165	4	5/16 Flat Washer	19	D5753	8	M8-1.25 x 16 mm Flange Bolt
M = Metric							

VX-3210 V-Maxx™ G2 HOPPER SPREADER

AUGER EXTENSION ASSEMBLY



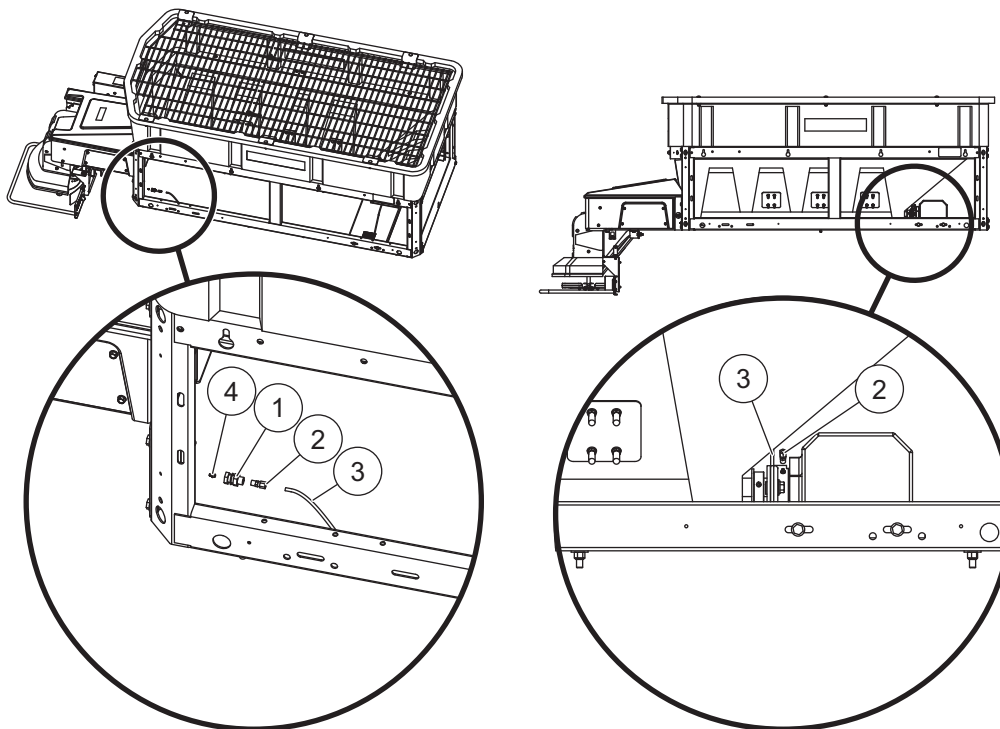
VX-3210 V-Maxx™ G2 HOPPER SPREADER

AUGER EXTENSION ASSEMBLY

Auger Extension Assembly							
Item	Part	Qty	Description	Item	Part	Qty	Description
1	D4115	2	1/2-13 x 1 Hex Cap Screw	15	F50912	4	5/16-18 x 1 Carriage Bolt SS
2	D4119	4	1/2 Flat Washer SS	16	D5949	8	3/8 Flat Washer SS
3	D5382	1	1-1/4 Bearing 2-Bolt Flange	17	T15018	8	5/16-18 Locknut SS
4	D5535	10	1/2-13 Serrated Flange Nut	18	99775	1	Cable Boot
5	D6452	4	3/8-16 x 1 Serrated Flange Bolt	19	57116	1	Cable Boot Bracket
6	D6528	10	1/2-13 x 1 Serrated Hex Cap Screw	20	57247	1	Harness Plug Bracket
7	F50365-1	1	Rear Extension	21	D6529	2	#10-32 x 1-1/4 Pan Head Screw SS
8	F50888	1	Discharge Trough Cover	22	D6158	2	#10-32 Locknut SS
9	57074	1	Auger Extension Cover	23	D4116	2	1/2-13 x 1-1/2 Cap Screw
10	F50393	1	Spinner Drive Mount Assembly	24	D4120	2	1/2-13 Locknut
11	F50884	1	Discharge Trough	25	99794	1	Auger Bearing Kit
12	F50465	1	Rear Stop Bracket	26	D6829	1	Label – Attention, Grease
13	F50894	1	Rubber Seal	27	D6418	4	5/16-18 x 1 Hex Cap Screw SS
14	F50587	10	5/16-18 x 1 Serrated Flange Bolt	28	83692	1	Label – Pre-Wet Mixing Chamber
Item 25				99794 Auger Bearing Kit			
3	D5382	1	1-1/4 Bearing 2-Bolt Flange	4	D5535	10	1/2-13 Serrated Flange Nut

SS = Stainless Steel

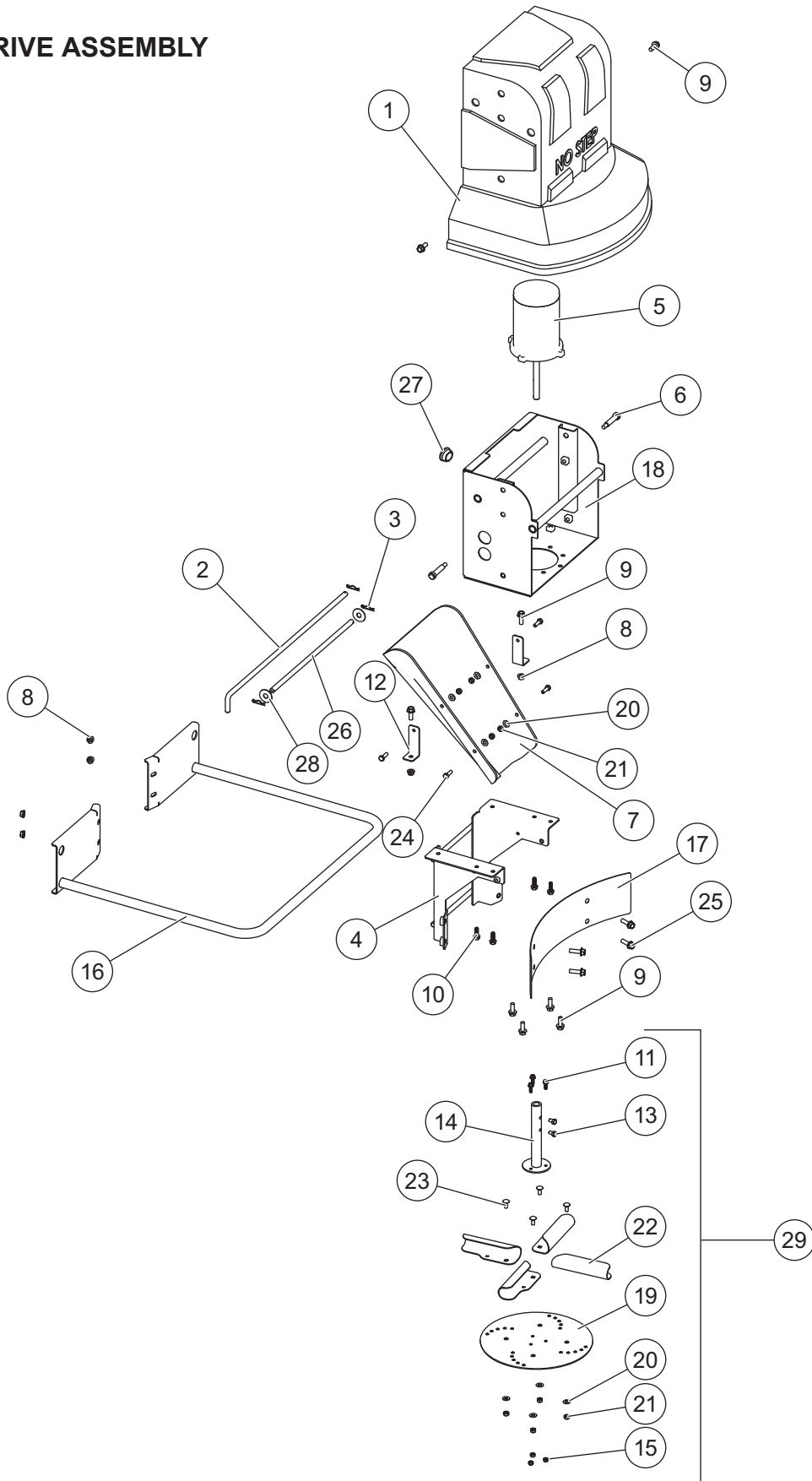
FRONT AUGER BEARING GREASE FITTINGS



Front Auger Bearing Grease Fittings							
Item	Part	Qty	Description	Item	Part	Qty	Description
1	D6982	1	1/8 Bulkhead Coupling, Brass	3	D6987	1	1/4 x 108 Tubing
2	D6984	2	1/4 Tube x 1/8 Male Thread Compression Fitting	4	D6983	1	1/8 Grease Fitting, Straight

VX-3210 V-Maxx™ G2 HOPPER SPREADER

SPINNER DRIVE ASSEMBLY



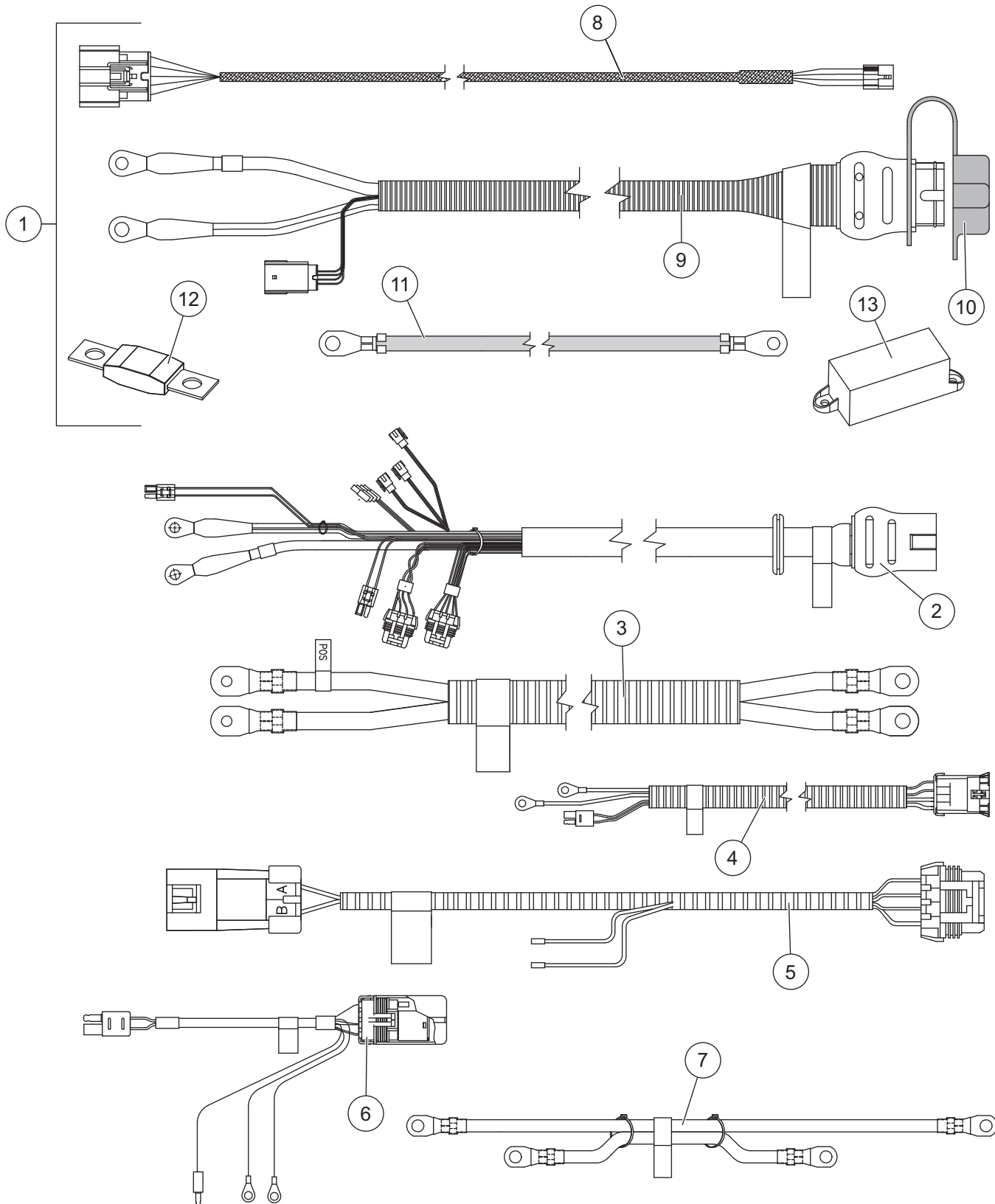
VX-3210 V-Maxx™ G2 HOPPER SPREADER

SPINNER DRIVE ASSEMBLY

83756 Spinner Drive Assembly							
Item	Part	Qty	Description	Item	Part	Qty	Description
1	F51026	1	Spinner Drive Cover	15	T15016	3	1/4-20 Waxed Locknut SS
2	F50366	1	1/2 x 25-1/2 Bent Pin	16	57246	1	Spinner Guard Tube (incl. items 8 & 25)
3	D4135	3	.093 x 2-3/8 Hairpin Cotter	17	F50318	1	Material Deflector
4	F50316	1	Deflector Frame	18	F51022	1	Drive Enclosure
5	D6887	1	Direct Drive Spinner Motor	19	F50517	1	Spinner Plate
6	F50407	2	1/2-13 x 2 Shoulder Bolt	20	D5949	8	3/8 Flat Washer SS
7	F51024	1	Material Chute	21	T15018	8	5/16-18 Locknut SS
8	D6584	6	3/8-16 Serrated Flange Locknut	22	T30207	4	Cupped Spinner Fin
9	D6452	8	3/8-16 x 1 Serrated Flange Bolt Type F	23	D5022	4	5/16-18 x 3/4 Carriage Bolt SS
10	D6453	4	5/16 x 1 Serrated Flange Bolt SS	24	D6418	4	5/16-18 x 1 Hex Cap Screw SS
11	D6854	3	1/4-20 x 1 Serrated Hex Washer Head Cap Screw SS	25	83641	4	3/8-16 x 1-1/4 Hex Cap Screw
12	F51025	2	Chute Bracket	26	F51048	1	Hinge Pin
13	T15049	2	5/16-18 x 1/2 Hex Cap Screw SS	27	99195	1	Break Through Plug
14	D6824	1	Spinner Hub	28	D6581	2	1/2 Fender Washer
				ns	83696	1	Spinner Motor Harness
Item 29				83736 Spinner Hub Kit			
11	D6854	3	1/4-20 x 1 Serrated Hex Washer Head Cap Screw SS	19	F50517	1	Spinner Plate
13	T15049	2	5/16-18 x 1/2 Hex Cap Screw	20	D5949	4	3/8 Flat Washer SS
14	D6824	1	Spinner Hub	21	T15018	4	5/16-18 Locknut SS
15	T15016	3	1/4-20 Waxed Locknut SS	22	T30207	4	Cupped Spinner Fin
				23	D5022	4	5/16-18 x 3/4 Carriage Bolt SS
ns = not shown				SS = Stainless Steel			

VX-3210 V-Maxx™ G2 HOPPER SPREADER

CONTROL & ELECTRICAL COMPONENTS



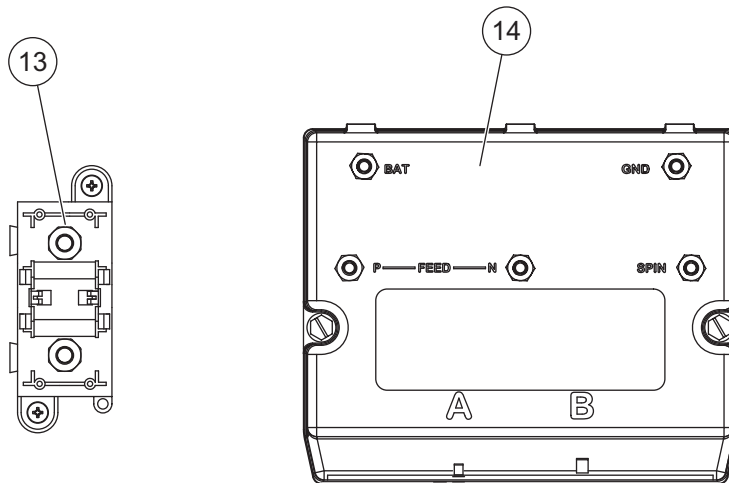
Not drawn to scale.

VX-3210 V-Maxx™ G2 HOPPER SPREADER

CONTROL & ELECTRICAL COMPONENTS

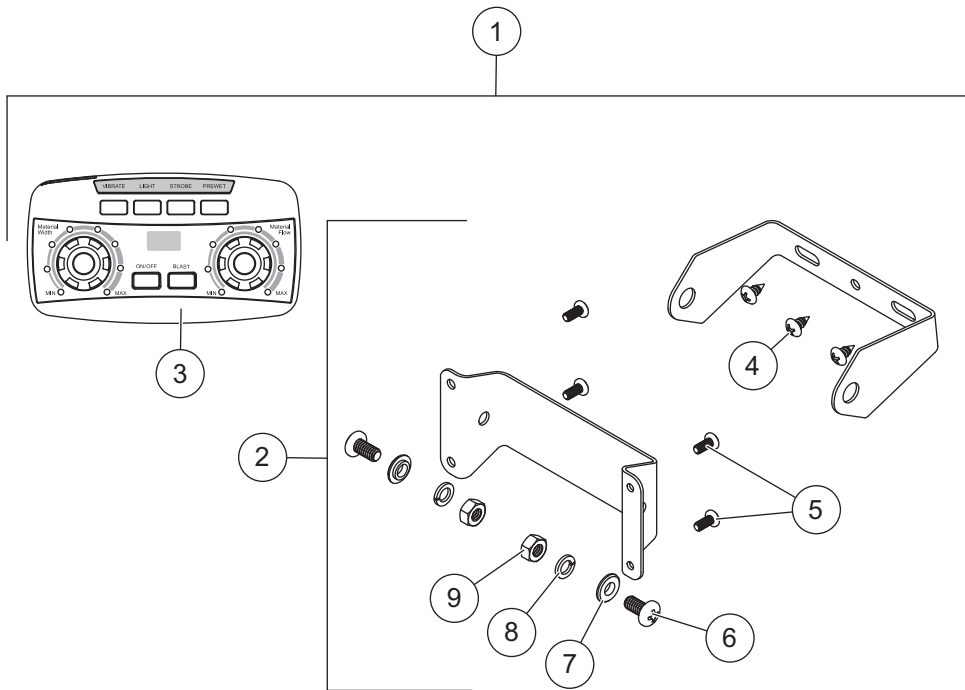
Cables & Harnessing / Electrical Enclosure Assembly							
Item	Part	Qty	Description	Item	Part	Qty	Description
1	83695	1	Vehicle Side Harness Kit	7	78385	1	Cable Assy, Mod. to Isolated Stud
2	83688	1	Cable Assy, Hopper	ns	83712	1	Extension Harness, 24"
3	83704	1	Cable Assy, Module to Auger Motor	ns	D6514	1	Center High Mount Stop Light (CHMSL)
4	78415	1	Cable Assy, Spinner Motor, Hopper	ns	D6529*	2	#10-32 x 1-1/4 Machine Screw SS
5	83696	1	Harness, Spinner Chute	ns	D6158*	2	#10-32 Locknut SS
6	78382	1	Vibrator Harness Assembly	ns	78391	1	Vibrator Extension Harness, 94"
Item 1				83695 Vehicle Side Harness Kit			
8	69902	1	Vehicle Control Harness	12	95836	1	Fuse, 100 A
9	83690	1	Vehicle Harness Assy (incl. item 10)	13	95837	2	Fuse Holder/Isolated Stud Block
10	99759	1	Plug Cover	ns		6	Cable Tie, HD
11	22511	1	22" Battery Cable – Red	ns		10	Cable Tie, 15.35"
Electrical Box Components							
13	95837	1	Fuse Holder/Isolated Stud Block	14	52375	1	Spreader Module, 5-Post
ns = not shown				SS = Stainless Steel			

* CHMSL Mounting Hardware



VX-3210 V-Maxx™ G2 HOPPER SPREADER

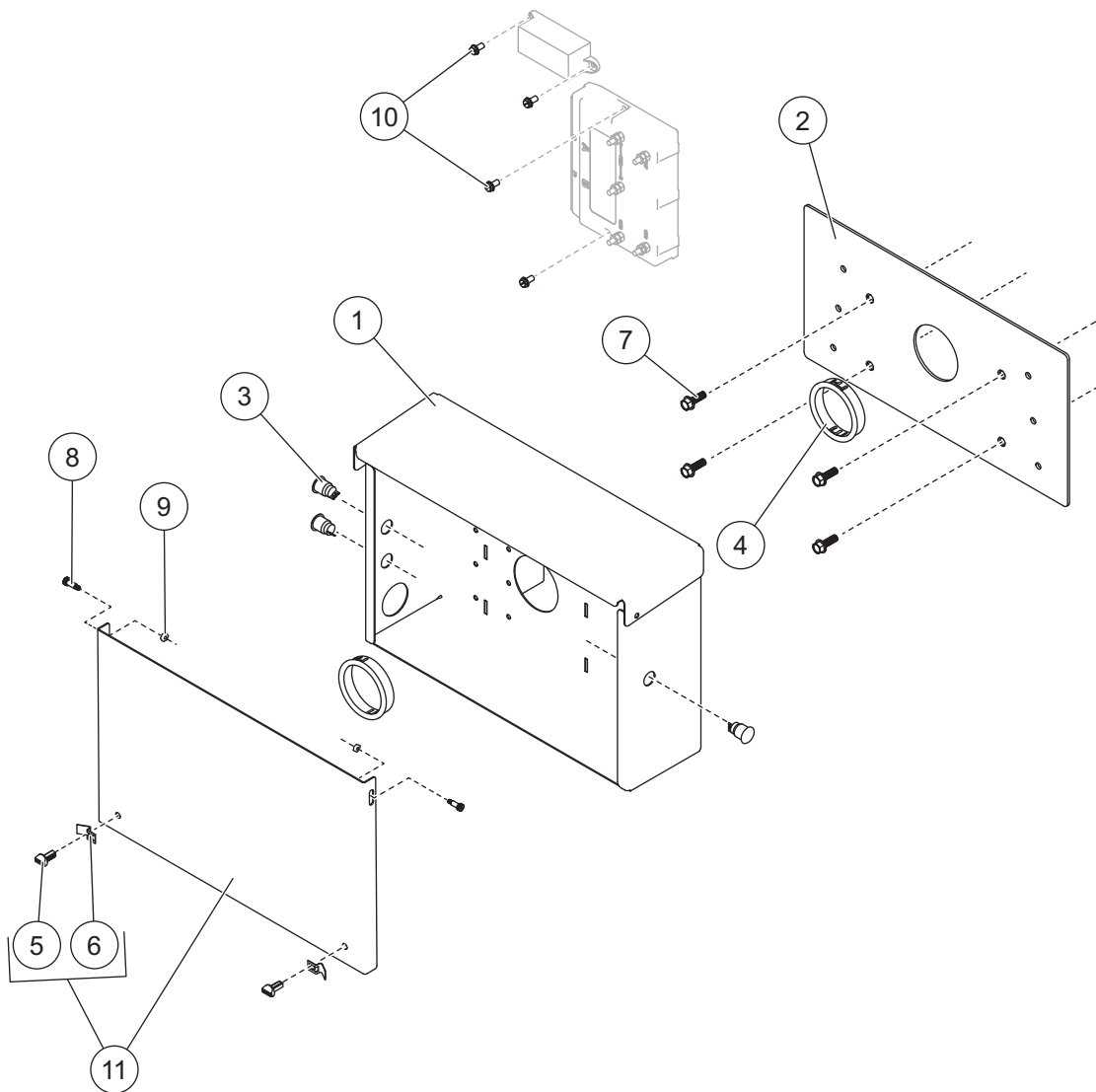
CONTROL & ELECTRICAL COMPONENTS



Cab Control							
Item	Part	Qty	Description	Item	Part	Qty	Description
1	52430	1	Cab Control Kit	3	52432	1	Cab Control 2-Knob
2	52345	1	Cab Control Bracket Kit				
Item 1				52430 Cab Control Kit			
2	52345	1	Cab Control Bracket Kit	3	52432	1	Cab Control 2-Knob
Item 2				52345 Cab Control Bracket Kit			
		1	Bracket, Control Inner	6		2	1/4-20 x 1/2 Pan Head Machine Screw SS – Black
		1	Bracket, Control Outer	7		2	1/4 Shoulder Washer SS – Black
4		3	#10 x 3/8 Pan Head Tapping Screw SS	8		2	1/4 Lock Washer SS
5		4	#8 x 3/8 Pan Head Machine Screw	9		2	1/4-20 Hex Nut G5 – Black
SS = Stainless Steel				G = Grade			

VX-3210 V-Maxx™ G2 HOPPER SPREADER

ELECTRICAL BOX ASSEMBLY



83754 Electrical Box Assembly							
Item	Part	Qty	Description	Item	Part	Qty	Description
1		1	Electrical Box	8	92981	2	#10-32 x 1/2 Shoulder Bolt
2	57121	1	Mounting Plate Assembly	9	D6158	2	#10-32 Locknut SS
3	99254	3	Switch, Push Button MO	10	78436	4	1/4-20 x 1/2 Hex Washer Head Machine Screw SS
4	78434	2	Locking Grommet, 3" OD	11	83757	1	Cover Assembly
5	94302	2	Latch Knob	ns	83698	1	Labels – Electronic Assembly
6	94301	2	Latch Pawl				
7	F50587	4	5/16-18 x 1 Serrated Flange Cap Screw				
Item 11				83757 Cover Assembly			
5	94302	2	Latch Knob	6	94301	2	Latch Pawl
SS = Stainless Steel				ns = not shown			



TrynEx International, LLC
531 Ajax Drive
Madison Heights, MI 48071-2429
www.snowexproducts.com

 A DIVISION OF DOUGLAS DYNAMICS, LLC

Copyright © 2017 Douglas Dynamics, LLC. All rights reserved. This material may not be reproduced or copied, in whole or in part, in any printed, mechanical, electronic, film, or other distribution and storage media, without the written consent of TrynEx International, LLC. Authorization to photocopy items for internal or personal use by TrynEx International outlets or spreader owner is granted.

TrynEx International reserves the right under its product improvement policy to change construction or design details and furnish equipment when so altered without reference to illustrations or specifications used. TrynEx International or the vehicle manufacturer may require or recommend optional equipment for spreaders. Do not exceed vehicle ratings with a spreader. TrynEx International offers a limited warranty for all spreaders and accessories. See separately printed page for this important information. The following are registered (®) or unregistered (™) trademarks of Douglas Dynamics, LLC: SnowEx®, V-Maxx™.

Printed in U.S.A.