



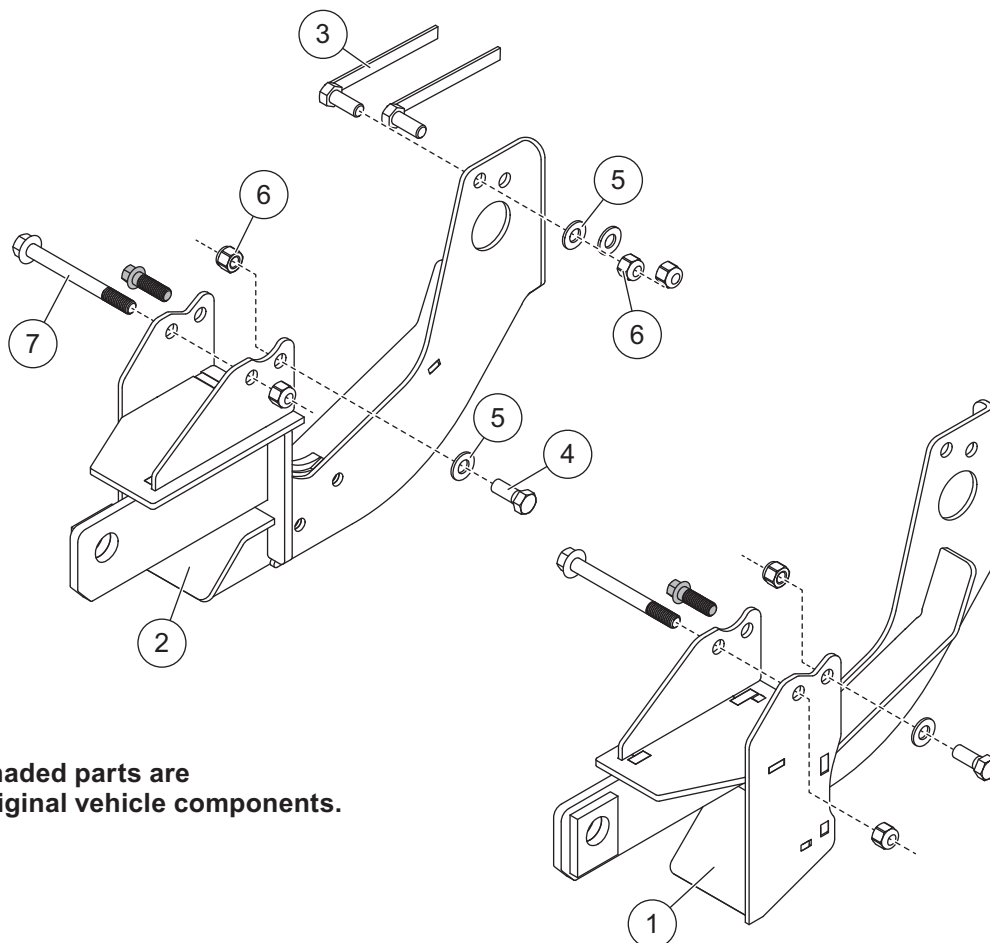
Minute² SYSTEM

MOUNT KIT

GM K1500 All New Silv/Sierra

2007-18

Parts List



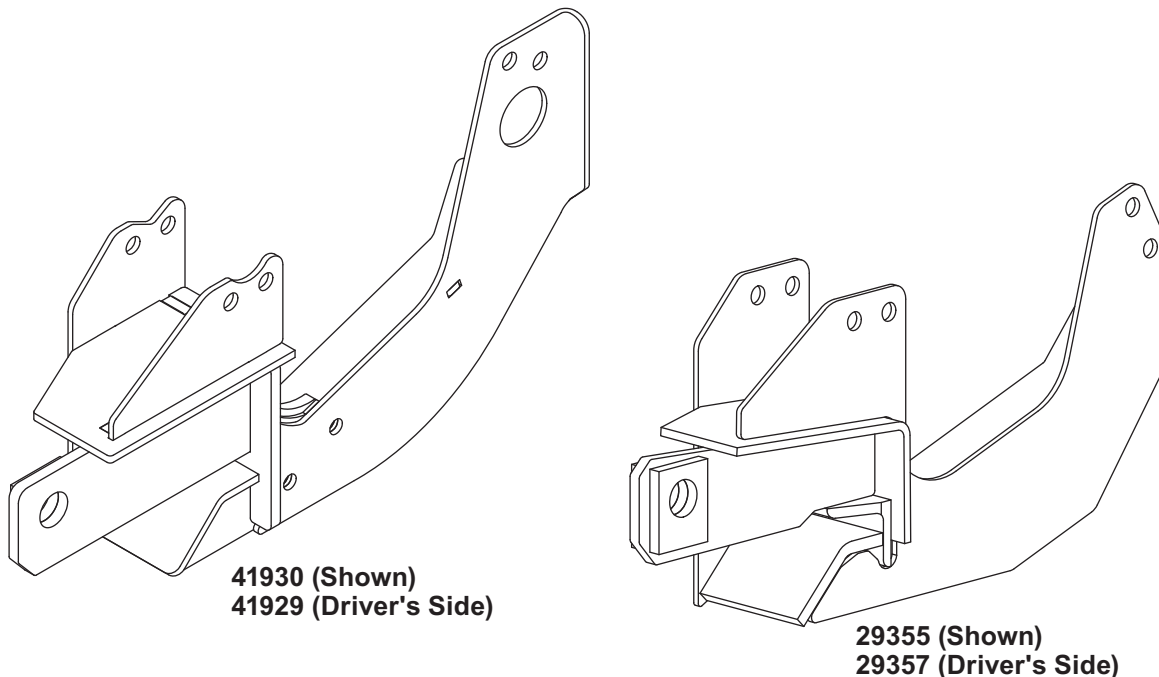
Shaded parts are original vehicle components.

See page 2 for mount style comparison.

7182-1

7182-1 Mount Kit							
Item	Part	Qty	Description	Item	Part	Description	
1	41929	1	Pushplate – DS	3	21590	6 1/2-13 x 1-1/2 Hex Cap Screw G5 w/Handle	
2	41930	1	Pushplate – PS	ns	29359	1 Bolt Bag	
29359 Bolt Bag							
4		2	1/2-13 x 1-1/4 Hex Cap Screw G5	7		2 1/2-13 x 5 Hex Cap Screw G5	
5		6	1/2 Hardened Flat Washer	ns		3 Cable Tie	
6		8	1/2-13 Hex Locknut GB				
			ns = not shown				G = Grade

MOUNT STYLE COMPARISON



Passenger-Side Mounts Shown

Copyright © 2019 Douglas Dynamics, LLC. All rights reserved. This material may not be reproduced or copied, in whole or in part, in any printed, mechanical, electronic, film, or other distribution and storage media, without the written consent of Fisher Engineering. Authorization to photocopy items for internal or personal use by Fisher Engineering outlets or snowplow owner is granted.

Fisher Engineering reserves the right under its product improvement policy to change construction or design details and furnish equipment when so altered without reference to illustrations or specifications used. Fisher Engineering or the vehicle manufacturer may require or recommend optional equipment for snow removal. Do not exceed vehicle ratings with a snowplow. Fisher Engineering offers a limited warranty for all snowplows and accessories. See separately printed page for this important information. The following are registered (®) trademarks of Douglas Dynamics, LLC: FISHER®, Minute Mount® 2.

Printed in U.S.A.