

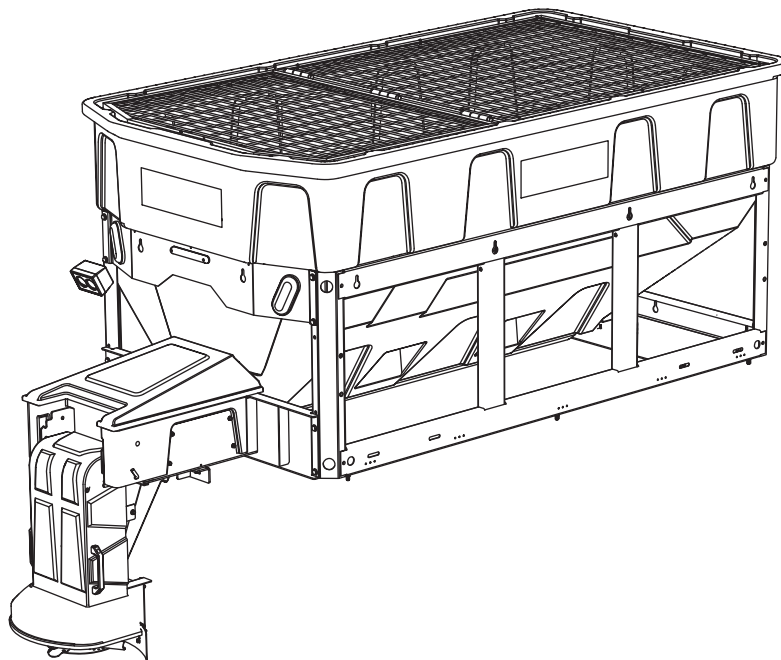
March 1, 2017  
Lit. No. 72018, Rev. 00



# Super Maxx™ Hopper Spreader

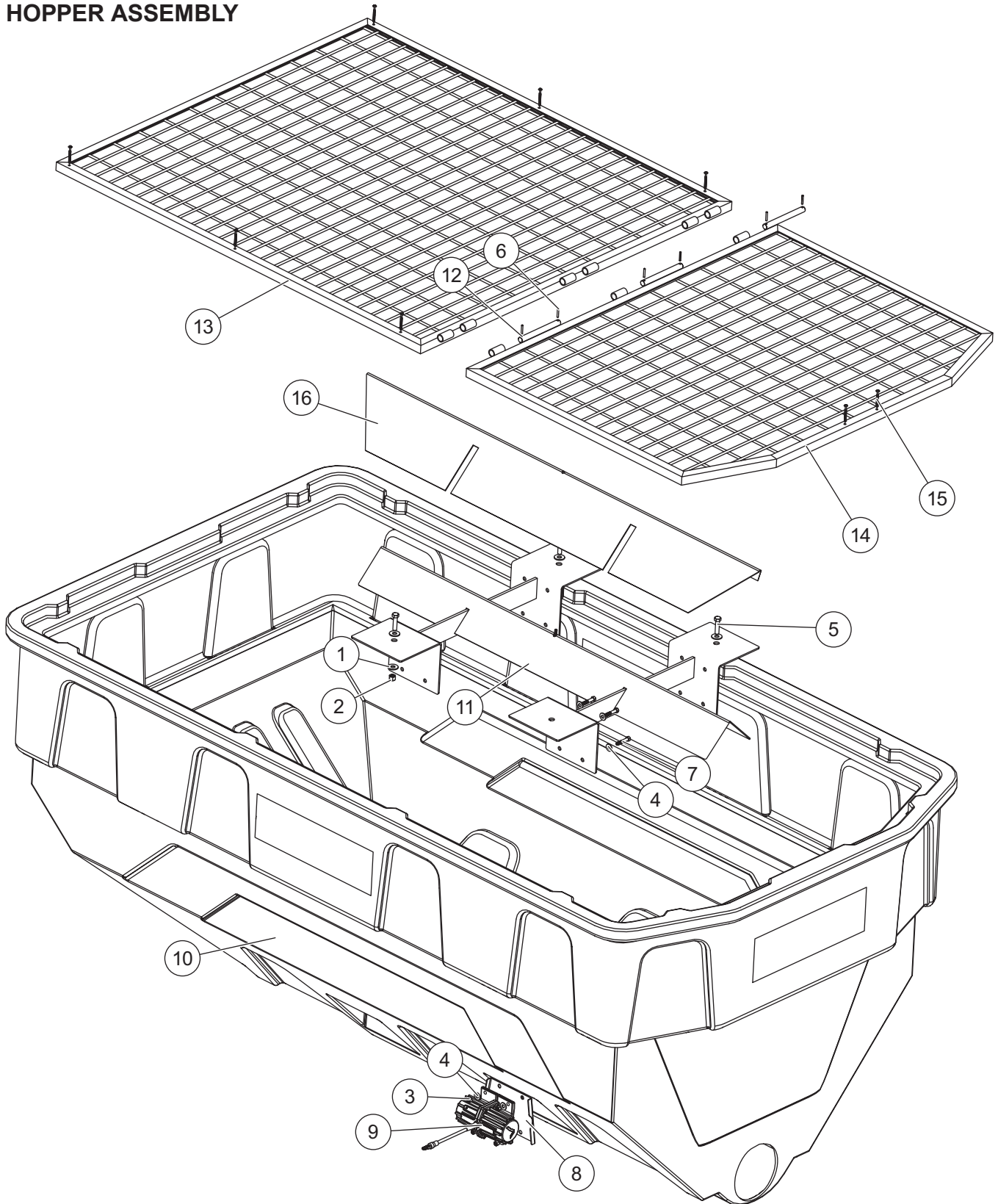
SP-9800XH

Parts List

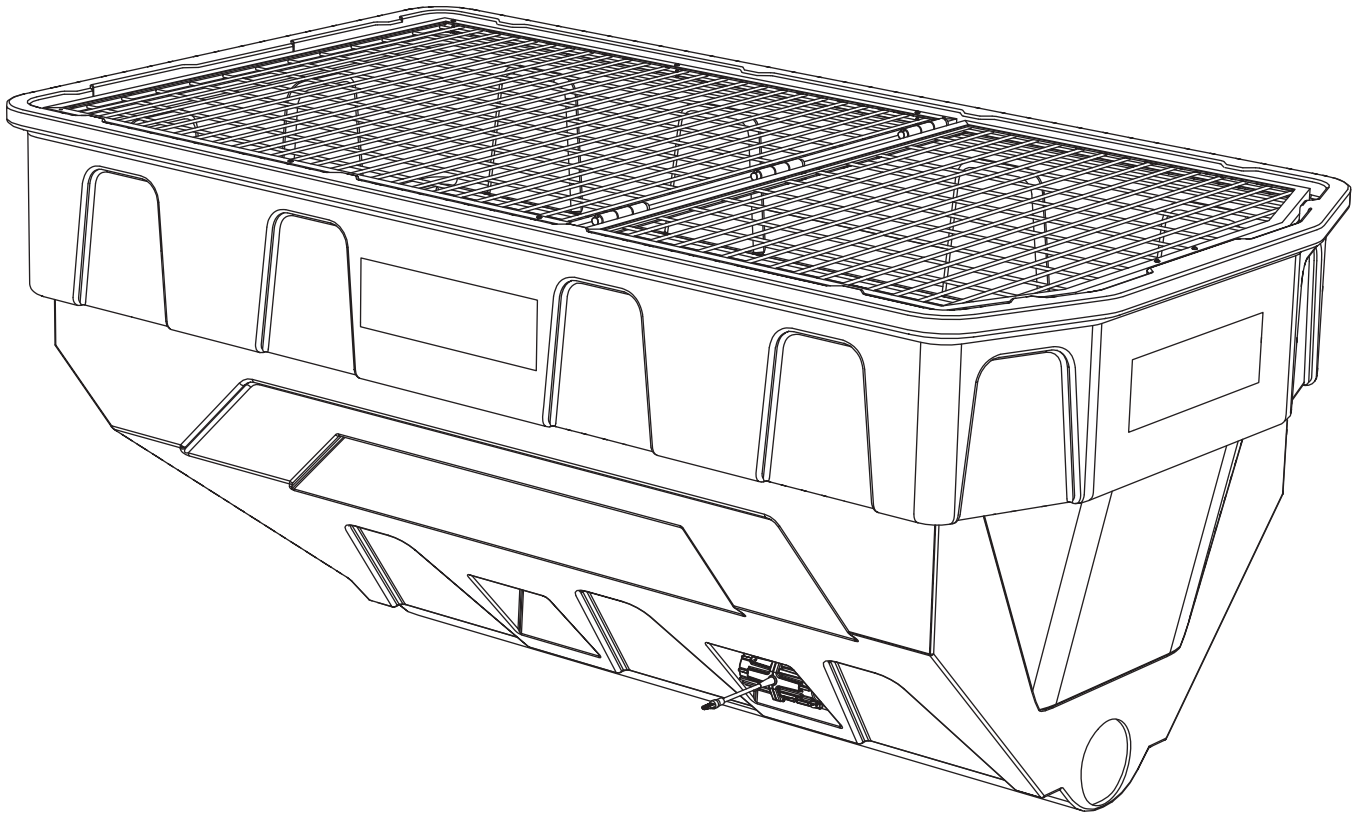


# 9800XH Super Maxx™ HOPPER SPREADER

## HOPPER ASSEMBLY



## 9800XH Super Maxx™ HOPPER SPREADER

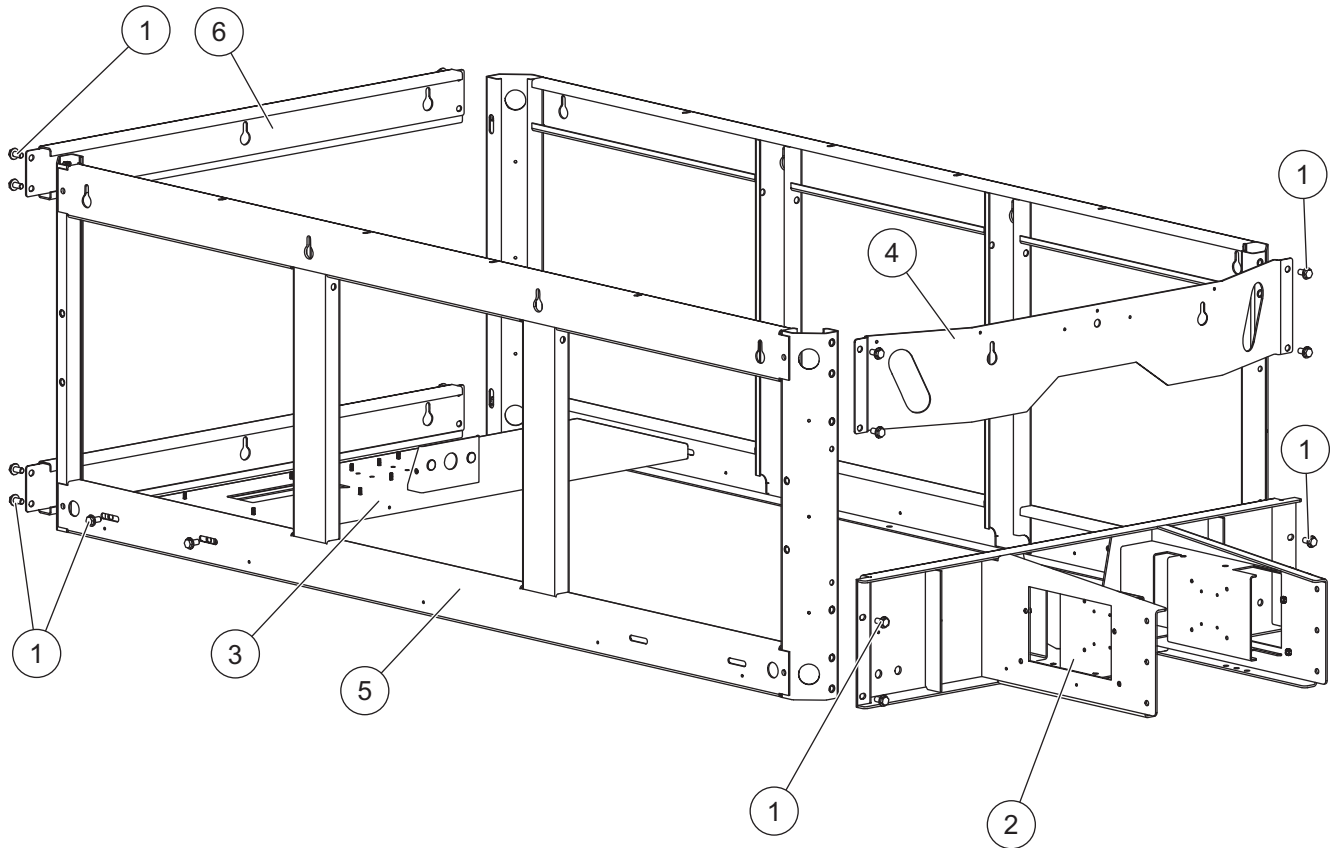


Item	Part	Qty	Description	Item	Part	Qty	Description
1	D4119	3	1/2 Flat Washer SS	9	D6899	1	Vibrator, DC 400
2	D4120	3	1/2-13 Locknut	10	F50298	1	Hopper, 6 cu yd, Yellow
3	D4124	4	3/8-16 Locknut	11	F50375	1	Inverted V
4	D4125	16	3/8 Flat Washer SS	12	F50400	3	Screen Pin
5	D4206	3	1/2-13 x 2 Hex Cap Screw	13	F50401	1	Front Top Screen, 58.5 x 66
6	D5921	6	3/16 x 1-1/4 Spring Pin	14	F50402	1	Rear Top Screen, 58.5 x 44.5
7	D6160	4	3/8-16 x 2 Hex Cap Screw	15	F50572	8	1/4-20 x 20 Hex Cap Screw
8	D6860	1	Formed Vibrator Backing Plate	16	F50954	1	Inverted V Salt Baffle

SS = Stainless Steel

# 9800XH Super Maxx™ HOPPER SPREADER

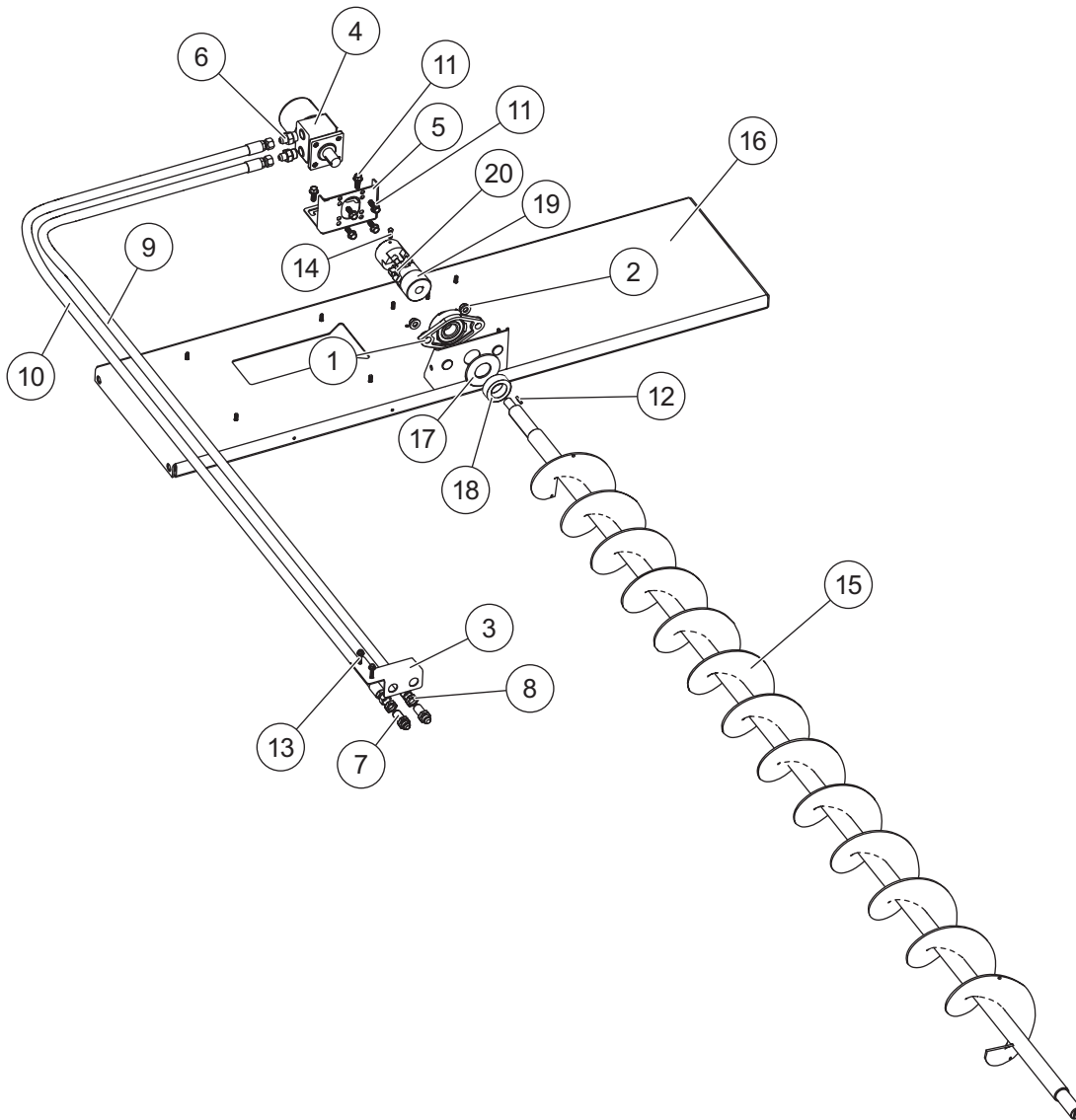
## FRAME ASSEMBLY



Item	Part	Qty	Description	Item	Part	Qty	Description
1	D6528	16	1/2-13 x 1 Serrated Hex Cap Screw	4	F50391	1	Rear Apron
2	F50372	1	Rear Extension Weldment	5	F50395	2	Side Frame
3	F50374	1	Auger Drive Mounting Plate	6	F50398	2	Front Facia

# 9800XH Super Maxx™ HOPPER SPREADER

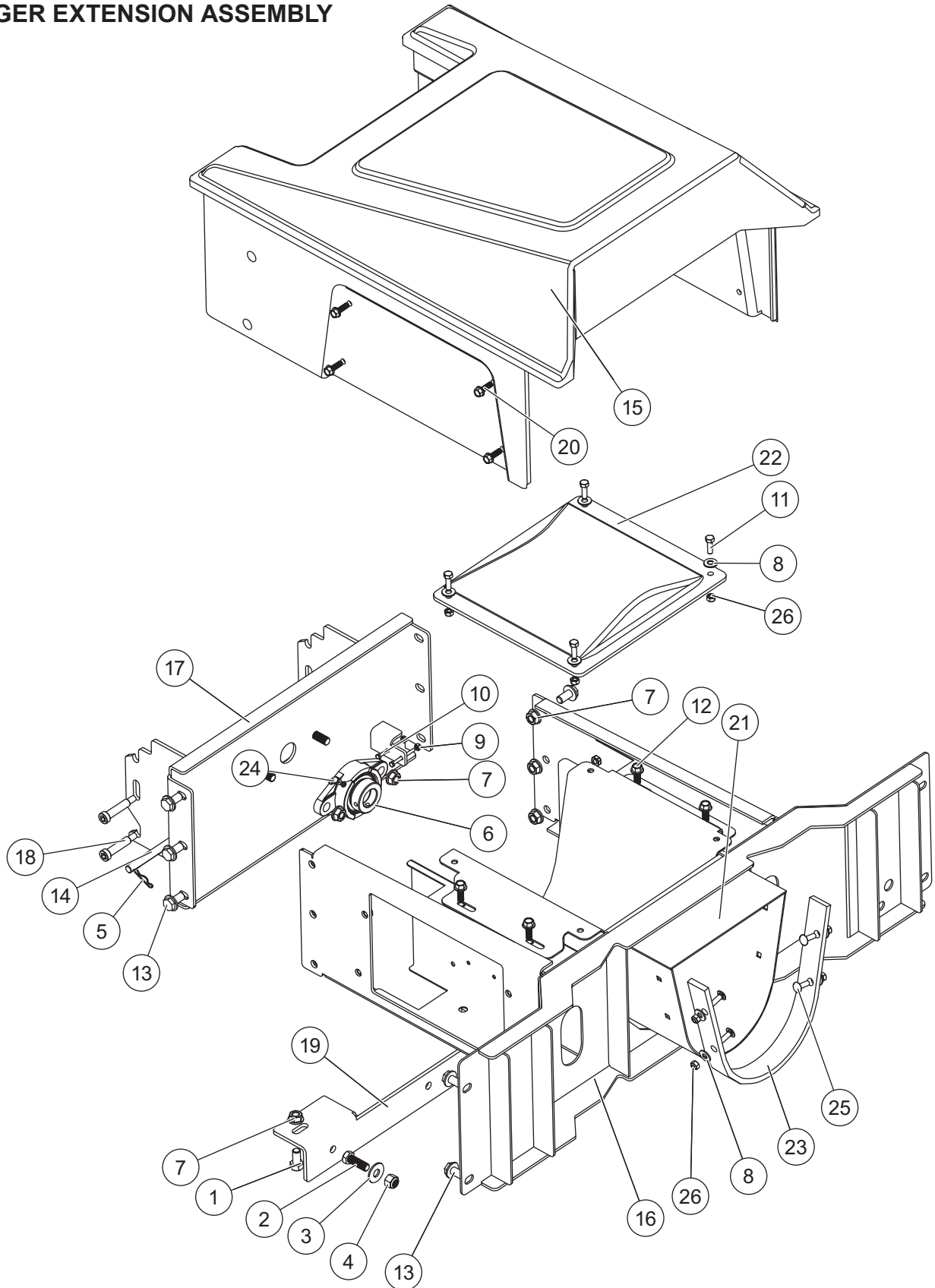
## AUGER DRIVE ASSEMBLY



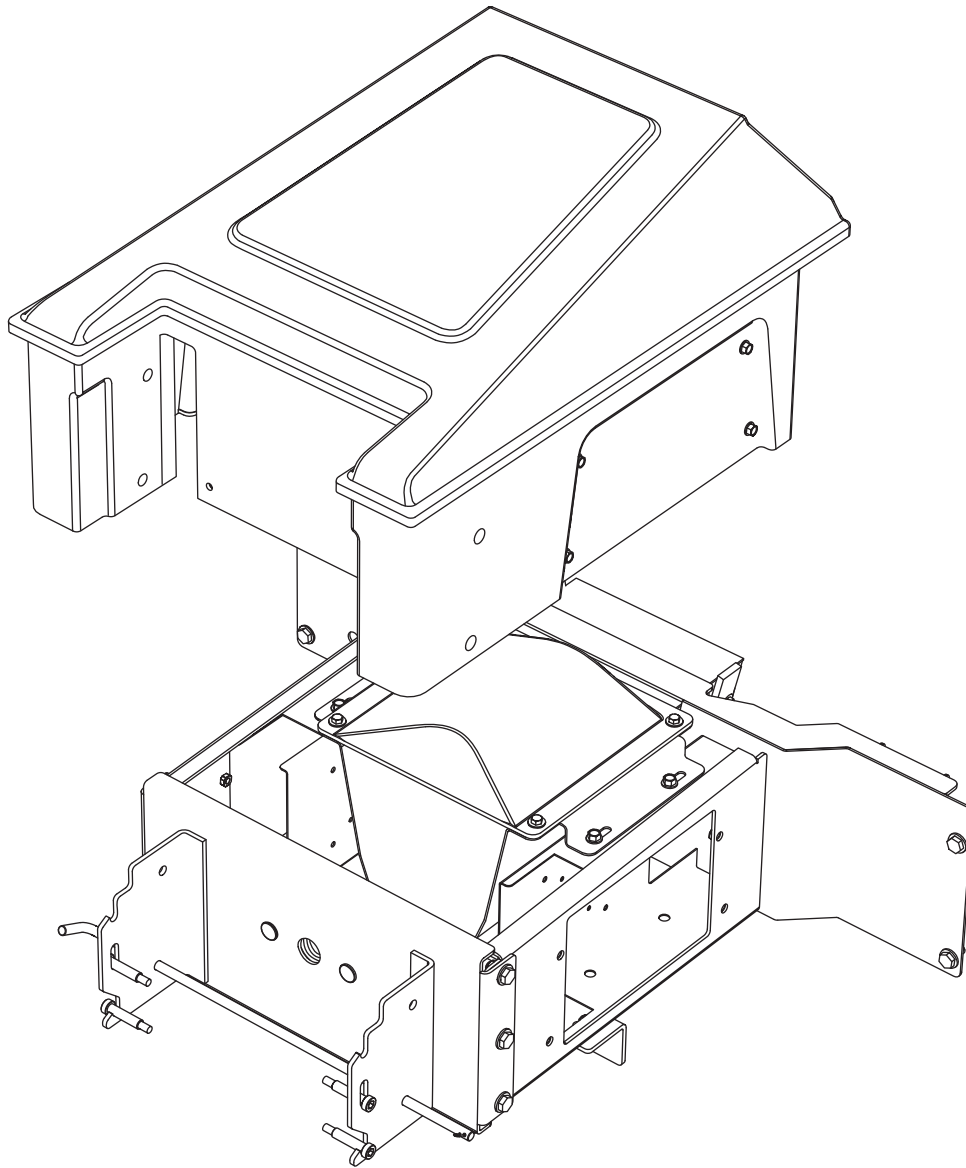
Item	Part	Qty	Description	Item	Part	Qty	Description
1	D5382	1	1-1/4 Bearing, 2-Bolt Flange	11	D6452	8	3/8-16 x 1 Serrated Flange Bolt
2	D5535	1	1/2-13 Serrated Flange Nut	12	D6873	1	3/16 x 1-1/4 Plain Keystock
3	D5759	1	Bulkhead Bracket	13	D6874	2	1/4 x 1-1/2 Driller Screw
4	D5760	1	Auger Motor Hydraulic	14	D7162	2	5/16-18 x 3/4 Square Head Set Screw
5	D5761	1	Auger Motor Mount Bracket	15	F50274	1	Auger
6	D5767	2	Hydraulic Auger Motor Hose	16	F50374	1	Auger Drive Mounting Plate
7	D5768	2	Hydraulic Hose Bulkhead	17	F50509	1	1-1/2 Flat Washer
8	D5769	2	Bulkhead Fitting Nut	18	F50510	1	1-9/16 Shaft Collar w/Set Screw
9	D5779	1	Auger Motor Hose	19	F50513	2	3/4 Jaw-Coupling Hub L100
10	D5779-1	1	Auger Motor Hose	20	F50514	1	Jaw-Coupling Spider L100

# 9800XH Super Maxx™ HOPPER SPREADER

## AUGER EXTENSION ASSEMBLY



# 9800XH Super Maxx™ HOPPER SPREADER

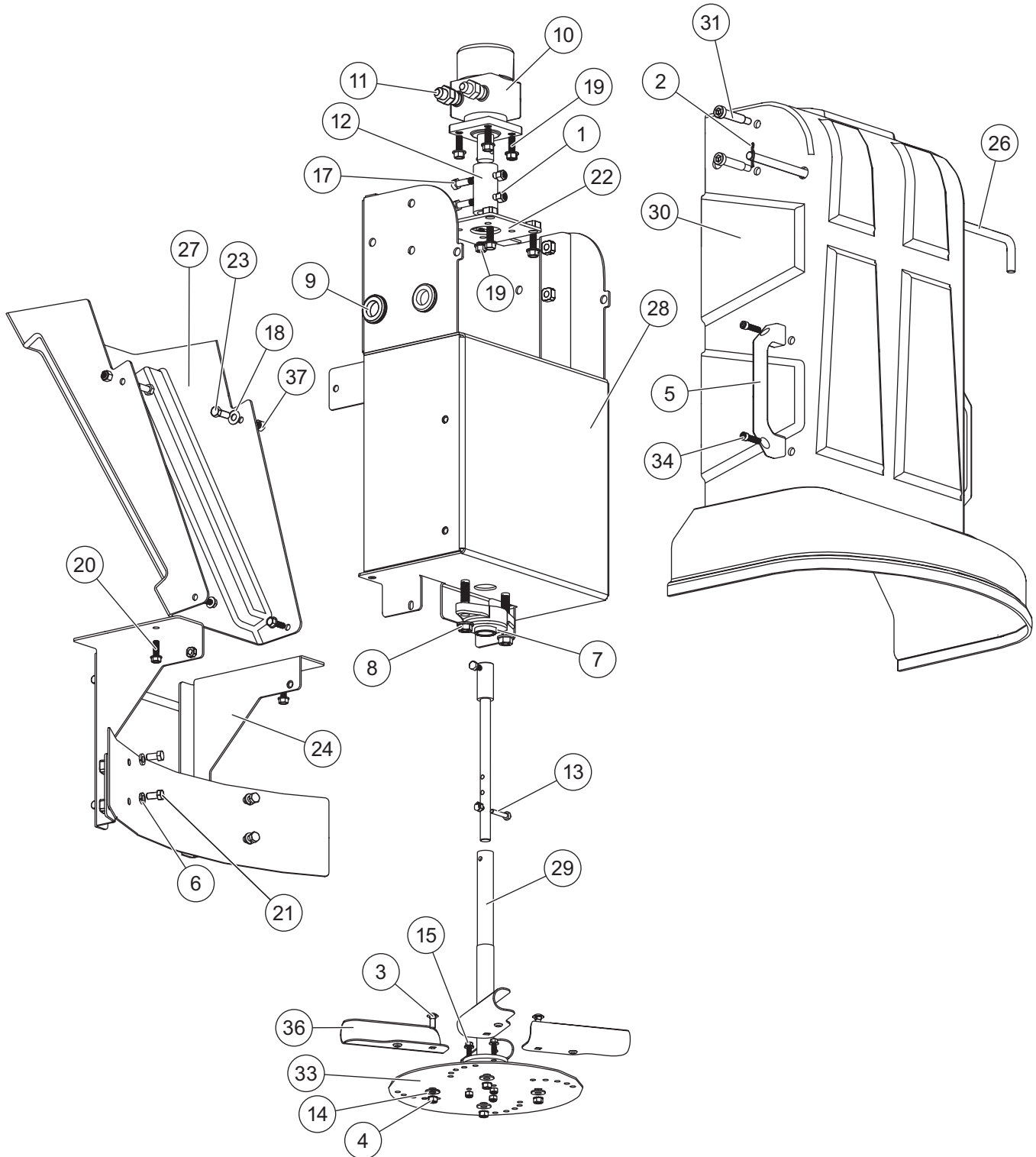


Item	Part	Qty	Description	Item	Part	Qty	Description
1	D4115	2	1/2-13 x 1 Hex Cap Screw	14	F50366	1	1/2 x 25-1/2 Bent Pin
2	D4116	2	1/2-13 x 1-1/2 Hex Cap Screw	15	F50365	1	Rear Extension Weldment
3	D4119	2	1/8 Flat Washer SS	16	F50372	1	Rear Extension Weldment
4	D4120	2	1/2-13 Locknut	17	F50393	1	Spinner Drive Mount Assembly
5	D4135	1	0.093 x 2-3/8 Hairpin Cotter	18	F50407	4	1/2 x 2 Shoulder Bolt
6	D5382	1	1-1/4 Bearing 2-Bolt Flange	19	F50465	1	Rear Stop Bracket
7	D5535	10	1/2-13 Serrated Flange Nut	20	F50587	8	5/16-18 x 1 Serrated Flange Bolt
8	D5949	8	5/16 Flat Washer SS	21	F50884	1	Discharge Trough
9	D6158	2	#10-32 Locknut	22	F50888	1	Discharge Trough Cover
10	D6159	2	#10-32 x 2 Hex Cap Screw SS	23	F50894	1	Rubber Trough Seal
11	D6418	4	5/16-18 x 1 Hex Cap Screw SS	24	F50906	1	1/8" Grease Fitting, NPT 45°
12	D6452	4	3/8-16 x 1 Serrated Flange Bolt	25	F50912	4	5/16-18 x 1 Carriage Bolt SS
13	D6528	10	1/2-13 x 1 Serrated Hex Cap Screw	26	T15018	8	5/16"-18 Locknut SS

SS = Stainless Steel

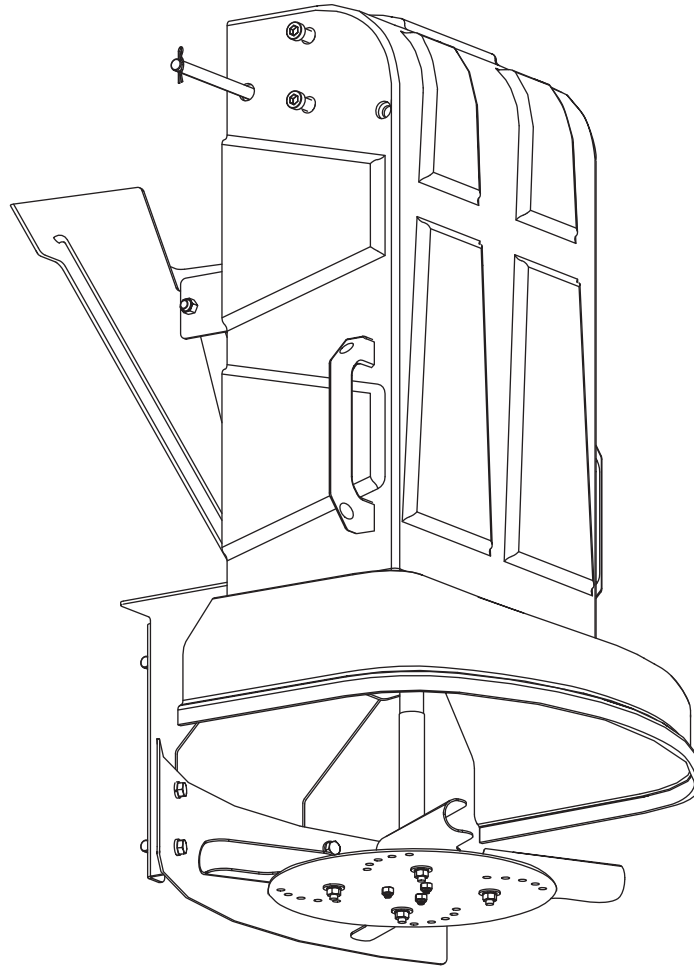
# 9800XH Super Maxx™ HOPPER SPREADER

## SPINNER DRIVE ASSEMBLY





# 9800XH Super Maxx™ HOPPER SPREADER

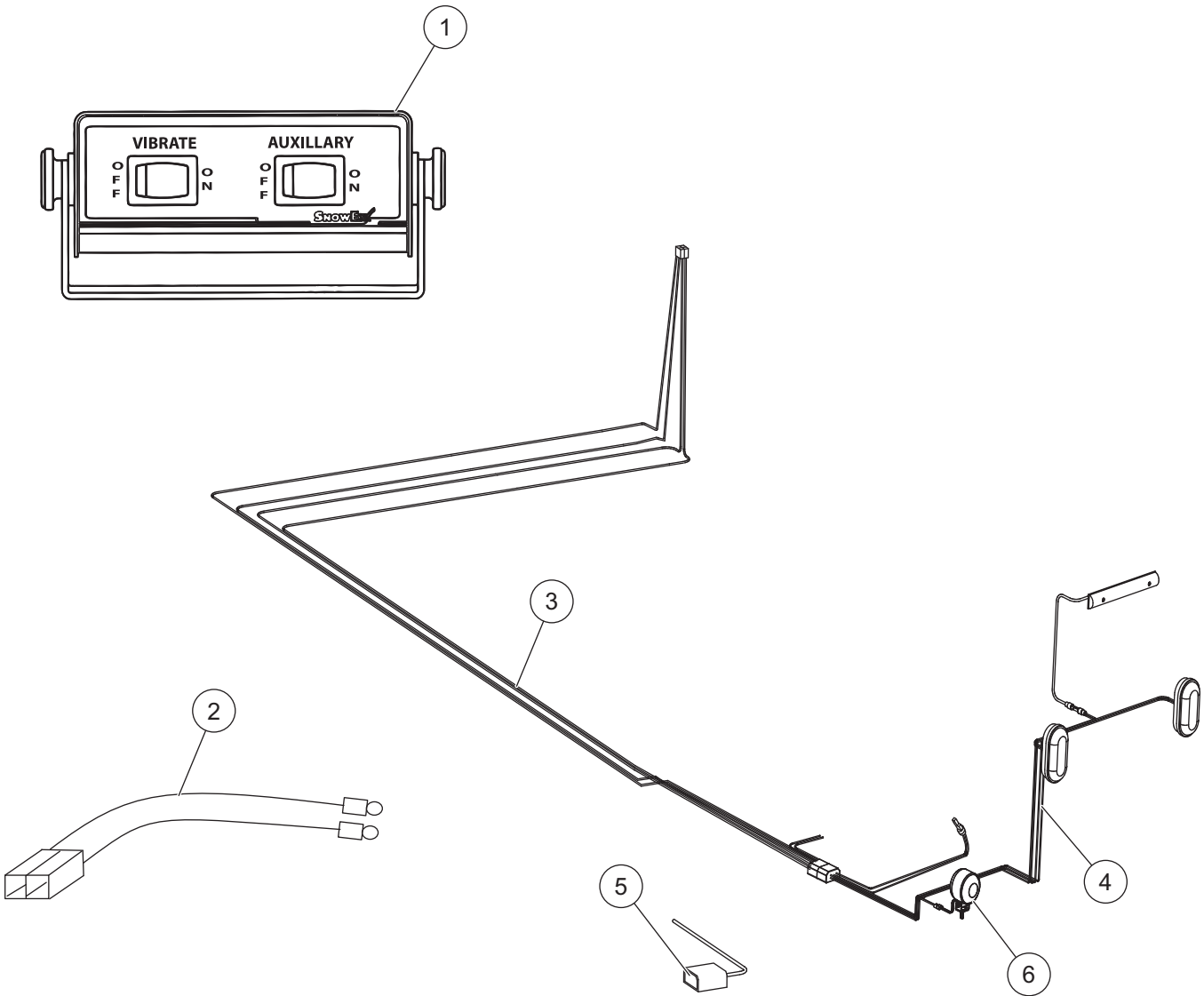


Item	Part	Qty	Description	Item	Part	Qty	Description
1	D4124	2	3/8-16 Locknut	20	D6453	4	5/16-18 x 1 Serrated Flange Bolt
2	D4135	1	0.093 x 2-3/8 Hairpin Cotter	21	D6978	4	3/8-16 x 3/4 Hex Cap Screw SS
3	D5022	4	5/16-18 x 3/4 Carriage Bolt SS	22	F50018	1	Hydraulic Spinner Motor
4	D5023	4	5/16-18 Keps Nut SS	23	F50110	2	3/8-16 x 1 Hex Cap Screw SS
5	D5248	2	8" Pull Handle	24	F50316	1	Spinner Deflector Bracket
6	D5336	4	3/8 Lock Washer SS	25	F50318	1	Spinner Deflector
7	D5527	1	1" 2-Bolt Flange Bearing	26	F50366	1	1/2 x 25-1/2 Bent Pin
8	D5535	2	1/2-13 Serrated Flange Nut	27	F50371	1	Material Chute
9	D5602	2	Hose Grommet	28	F50376	1	Spinner Drive Enclosure
10	D5755	1	Spinner Motor, Hydraulic	29	F50394	1	Spinner Hub
11	D5767	2	Hydraulic Auger Motor Hose	30	F50405	1	Spinner Assembly Cover
12	D5784	1	Spinner Motor Coupler	31	F50407	4	1/2 x 2 Shoulder Bolt
13	D5907	1	1/4-20 x 1-3/8 Hex Cap Screw SS	32	F50441	1	Spinner Shaft Extension
14	D5949	4	5/16 Flat Washer SS	33	F50517	1	12" Adjustable Spinner Plate
15	D6132	3	1/4-20 x 3/4 Serrated Flange Bolt SS	34	F50711	4	5/16-18 x 1-1/4 Socket Bolt SS
16	D6133	1	5/16-18 x 1/2 Hex Cap Screw	35	T15016	4	1/4-20 Locknut SS
17	D6160	2	3/8-16 x 2 Hex Cap Screw	36	T30207	4	Cupped Spinner Fin
18	D6169	2	3/8 Flat Washer SS	37	T30728	2	3/8-16 Locknut SS
19	D6452	8	3/8-16 x Serrated Flange Bolt				

SS = Stainless Steel

# 9800XH Super Maxx™ HOPPER SPREADER

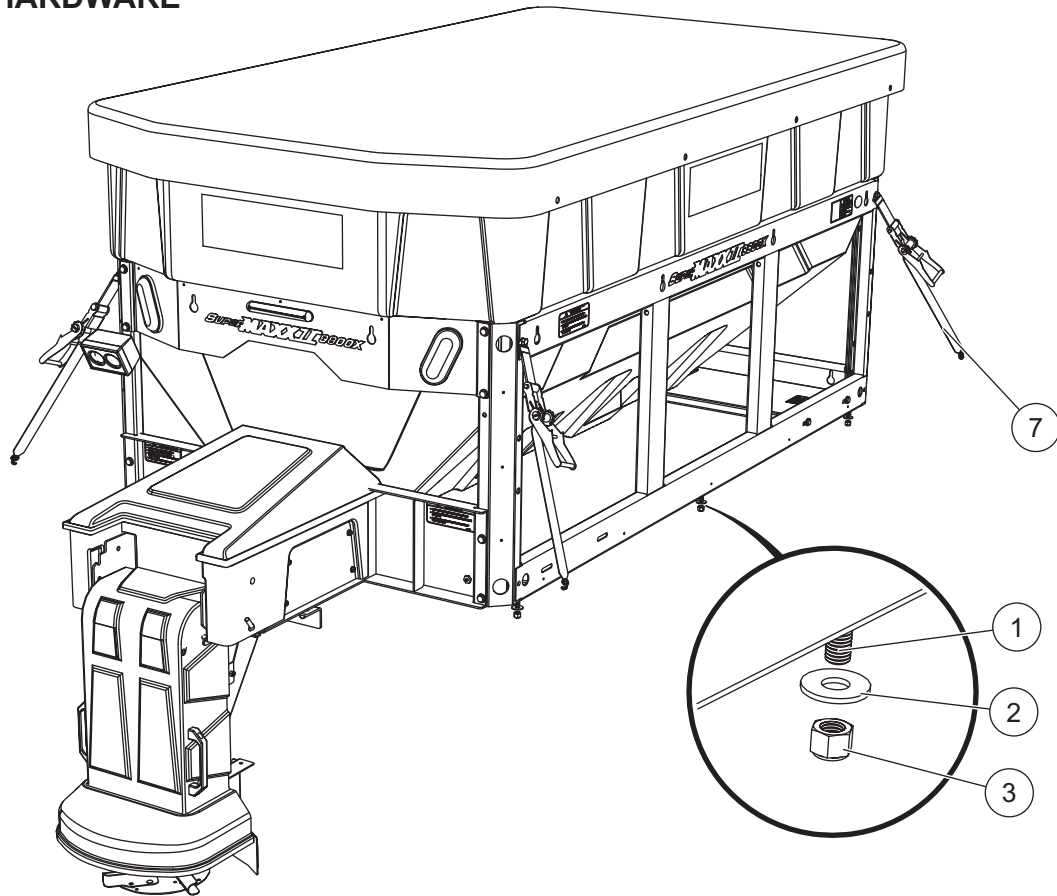
## CONTROL AND ELECTRICAL COMPONENTS



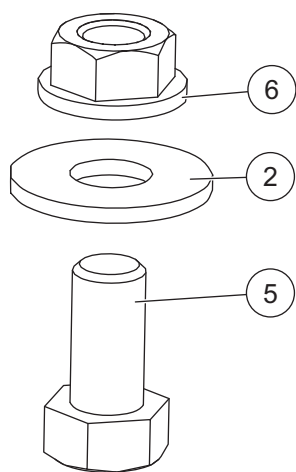
Item	Part	Qty	Description	Item	Part	Qty	Description
1	D5774	1	Control	4	D5780	1	Spreader Harness
2	D5772	1	Control Power Harness	5	D6343	1	Vehicle Harness Dust Cap
3	D5771	1	Vehicle Harness	6	D6786	1	Work Light

# 9800XH Super Maxx™ HOPPER SPREADER

## MOUNTING HARDWARE

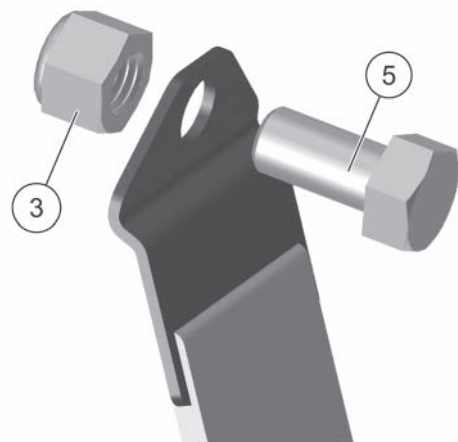


### STOP BRACKET MOUNTING



Used to mount  
Rear Stop Bracket  
(PN F50465)  
to the Auger Extension  
Weldment.

### RATCHET STRAP MOUNTING



Item	Part	Qty	Description	Item	Part	Qty	Description
1	D4116	10	1/2-13 x 1-1/2 Hex Cap Screw	5	D4115	6	1/2-13 x 1 Hex Cap Screw
2	D4119	10	1/2 Flat Washer	6	D5535	2	1/2-13 Serrated Flange Nut
3	D4120	14	1/2-13 Locknut	7	F50600	1	Ratchet Strap, 2" x 6' (pkg of 4)
ns	F50465	1	Rear Stop Bracket				



TrynEx International  
531 Ajax Drive  
Madison Heights, MI 48071-2429  
[www.snowexproducts.com](http://www.snowexproducts.com)

 A DIVISION OF DOUGLAS DYNAMICS, LLC

Copyright © 2017 Douglas Dynamics, LLC. All rights reserved. This material may not be reproduced or copied, in whole or in part, in any printed, mechanical, electronic, film or other distribution and storage media, without the written consent of TrynEx International. Authorization to photocopy items for internal or personal use by TrynEx International outlets or spreader owner is granted.

TrynEx International reserves the right under its product improvement policy to change construction or design details and furnish equipment when so altered without reference to illustrations or specifications used. TrynEx International or the vehicle manufacturer may require or recommend optional equipment for spreaders. Do not exceed vehicle ratings with a spreader. TrynEx International offers a limited warranty for all spreaders and accessories. See separately printed page for this important information. The following are registered (®) or unregistered (™) trademarks of Douglas Dynamics, LLC: SnowEx®, Super Maxx™, TrynEx®.

**Printed in U.S.A.**