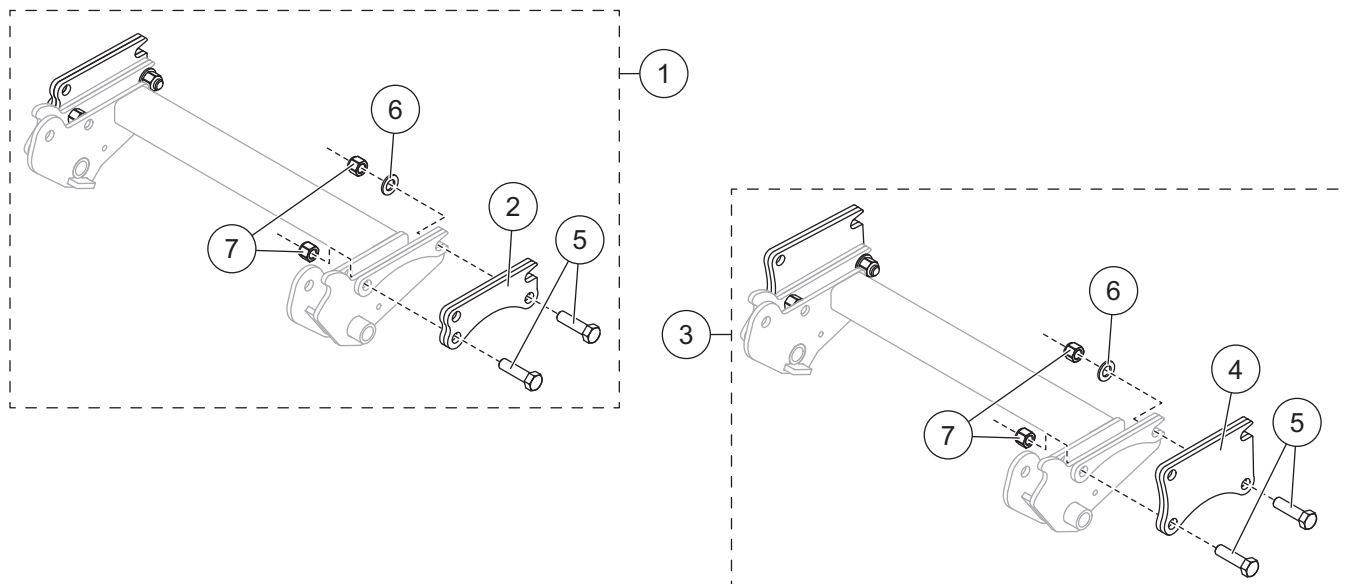


Mount Adapter Kit

PARTS LIST



Item 1				72128 Mount Adapter Kit – Short			
Item	Part	Qty	Description	Item	Part	Qty	Description
2	40781	2	Adapter Plate, Short	ns	72130	1	Bolt Bag – Mount Adapter Kit
Item 3				72129 Mount Adapter Kit – Tall			
4	40540	2	Adapter Plate, Tall	ns	72130	1	Bolt Bag – Mount Adapter Kit
72130 Bolt Bag – Mount Adapter Kit							
5		4	3/4-10 x 2-3/4 Hex Cap Screw G5	7		4	3/4-10 Hex Locknut GB
6		2	3/4 Flat Washer, Type A Narrow				
ns = not shown				G = Grade			

⚠ WARNING

Do not exceed GVWR or GAWR, including blade and ballast. The rating label is found on the driver-side vehicle door cornerpost.

⚠ CAUTION

Read this document before installing the mount adapter kit.

⚠ CAUTION

Use standard methods and practices when attaching snowplow and installing accessories, including proper personal protective safety equipment.

⚠ CAUTION

See your sales outlet/Web site for specific vehicle application recommendations before installation. The online selection tool has specific vehicle and snowplow requirements.

72128, 72129

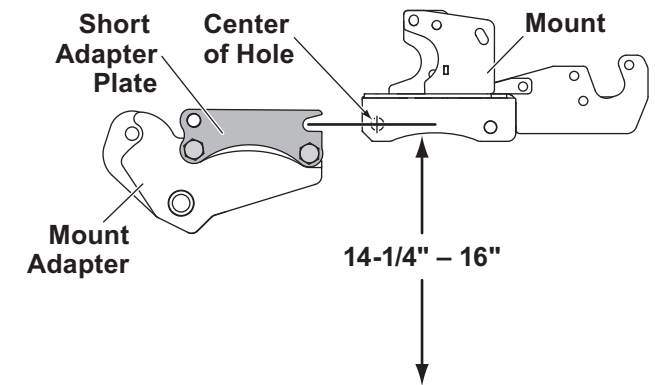
INSTALLATION INSTRUCTIONS

1. Park the vehicle on a smooth, level, hard surface, such as concrete. Lower the blade to the ground, and turn the control OFF. Disconnect the snowplow from the vehicle, or turn the vehicle ignition to the "OFF" position and remove the key.

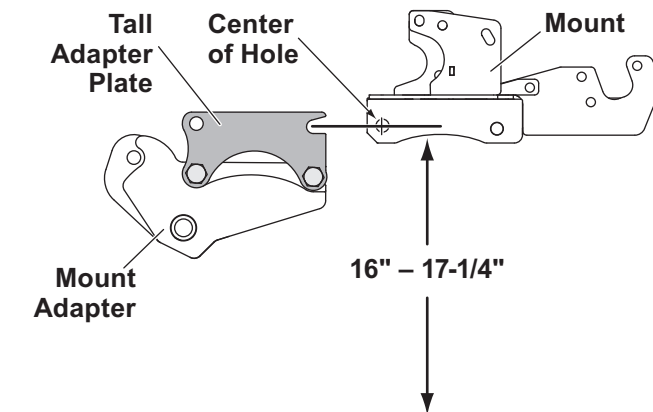
2. With the vehicle on level ground, measure from the ground to the center of the hole on the U-bracket side plate on the mount.

The height of the mount should be 14-1/4" or less from the center of the U-bracket hole to level ground. If the measured height is 14-1/4" or less, no height adjustment adapter plates are needed. If the mount is higher than 14-1/4", the appropriate adapter plates need to be attached to the mount adapter.

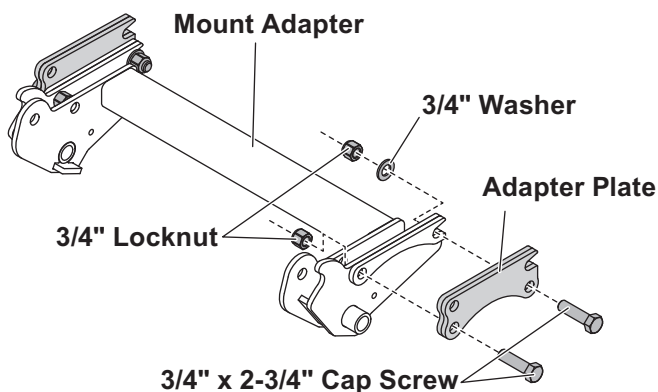
3. If the measured height is 14-1/4"-16", install the short height adjustment adapter plates as described.



4. If the measured height is 16"-17-1/4", install the tall height adjustment adapter plates as described.



5. Position the adapter plate against the driver's side portion of the mount adapter as shown. Insert a 3/4" x 2-3/4" cap screw through the lower front adapter plate hole and through the appropriate hole on the mount adapter. Secure with a locknut.



6. Insert a cap screw through the rear adapter plate hole, through the slot on the mount adapter and through a washer. Secure with a locknut.

7. Repeat for the passenger's side. Tighten all fasteners to 269 ft-lb.

NOTE: After five to ten hours of snowplow usage, retorque all undercarriage assembly fasteners.

Copyright © 2017 Douglas Dynamics, LLC. All rights reserved. This material may not be reproduced or copied, in whole or in part, in any printed, mechanical, electronic, film or other distribution and storage media, without the written consent of the company. Authorization to photocopy items for internal or personal use by the company's outlets or snowplow owner is granted.

The company reserves the right under its product improvement policy to change construction or design details and furnish equipment when so altered without reference to illustrations or specifications used. This equipment manufacturer or the vehicle manufacturer may require or recommend optional equipment for snow removal. Do not exceed vehicle ratings with a snowplow. The company offers a limited warranty for all snowplows and accessories. See separately printed page for this important information.

Printed in U.S.A.