



Western Products
 PO Box 245038
 Milwaukee, WI 53224-9538
 www.westernplows.com

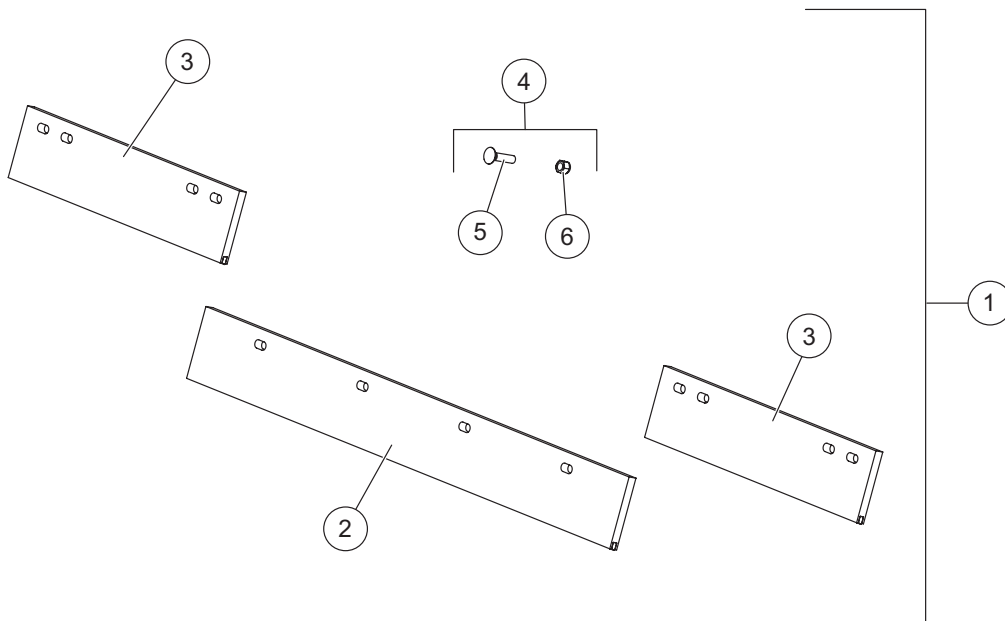
DD A DIVISION OF DOUGLAS DYNAMICS, LLC

**74961 – 9' & 10' PRO PLUS®/
 PRO PLUS HD Blades**

CUTTING EDGE KIT

Parts List & Installation Instructions

PARTS LIST



74961 3-Piece Carbide Insert Cutting Edge Kit (9')							
Item	Part	Qty	Description	Item	Part	Qty	Description
1	74961	1	3-Piece Carbide Insert Cutting Edge Kit	3	76826	2	Carbide Insert Cutting Edge – Outer DS/PS
2	76825	1	Carbide Insert Cutting Edge – Center	4	70748	1	Bolt Bag
70728 Bolt Bag – 9' & 10' Blades							
5		10	5/8-11 x 2-1/2 Carriage Bolt G5	6		10	5-8-11 Hex Locknut GB
ns = not shown				G = Grade			

74961 3-PIECE CARBIDE INSERT CUTTING EDGE KIT

INSTALLATION INSTRUCTIONS

⚠ WARNING

Do not exceed GVWR or GAWR, including blade and ballast. The rating label is found on the driver-side vehicle door cornerpost.

⚠ WARNING

Blade can drop unexpectedly. Place A-frame on jack stands. Failure to do so could result in serious personal injury.

⚠ CAUTION

Read this document before installing the cutting edge kit.

⚠ CAUTION

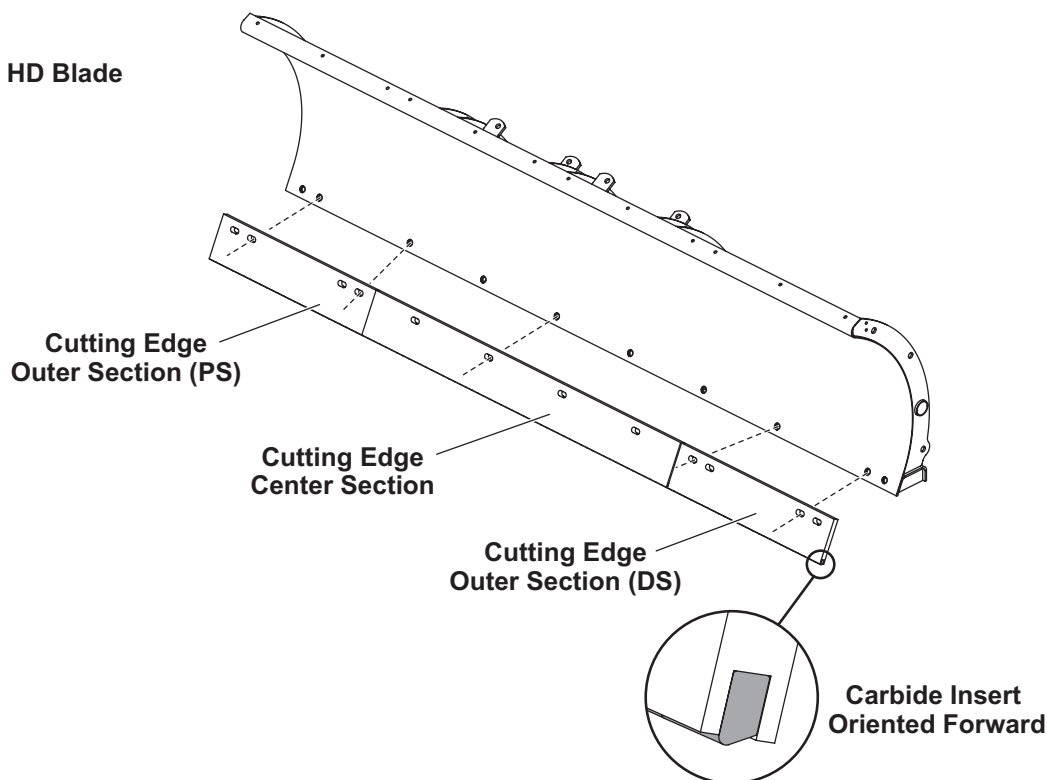
Use standard methods and practices when attaching snowplow and installing accessories, including proper personal protective safety equipment.

⚠ CAUTION

See your WESTERN® outlet/website for specific vehicle application recommendations before installation. The Quick Match selection system has specific vehicle and snowplow requirements.

1. Park the vehicle on a smooth, level, hard surface, such as concrete. Raise the blade, then turn the control OFF. From the side of the blade assembly, place jack stands under the A-frame.
2. Turn the control ON and lower the blade so the A-frame rests securely on the jack stands or blocking. Turn the control OFF. Turn the vehicle ignition to the "OFF" position and remove the key.
3. Remove the existing cutting edge and fasteners from the blade.
4. Align the longest of the three cutting edges with the center of the blade so that there is an equal number of cutting edge holes on either side. Ensure that the carbide insert is oriented in the forward direction. See the following illustrations.

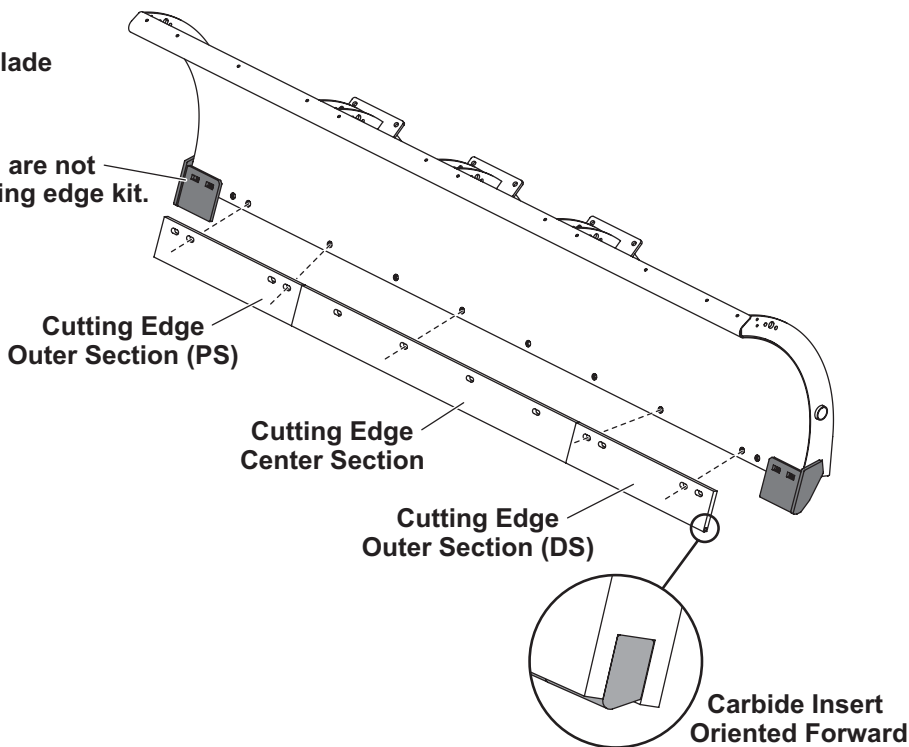
9' PRO PLUS HD Blade



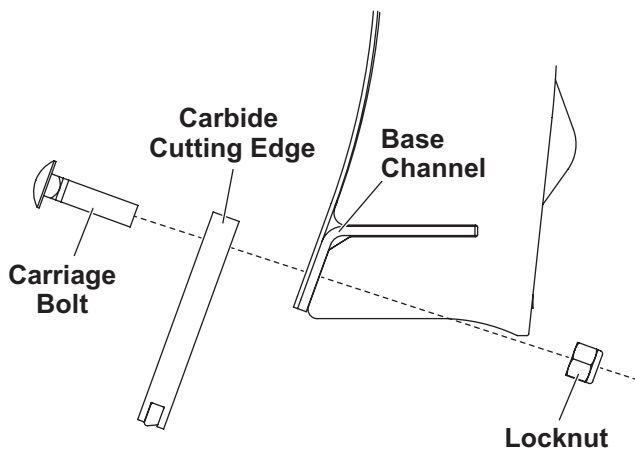
74961 3-PIECE CARBIDE INSERT CUTTING EDGE KIT

10' PRO PLUS HD Blade

NOTE: Curb guards are not included in the cutting edge kit.



5. Insert the supplied carriage bolts through the cutting edge slots and through the base channel. Attach a locknut to each bolt and hand tighten.



6. Align the two remaining cutting edges with the corresponding three holes outside of the center edge. Ensure that the carbide insert in each cutting edge is oriented in the "forward" direction.

NOTE: The farthest two cutting edge holes on each side of the blade will not be used with the cutting edges for the 10' PRO PLUS® HD blade. All holes will be used for the 9' PRO PLUS blade.

7. Insert the supplied carriage bolts through the remaining cutting edge slots and through the base angle. Attach a locknut to each of the carriage bolts and hand tighten.

8. **9' blade only:** Slide the outside cutting edges toward the center to minimize the gaps between the edges. Center the cutting edges, making sure that both of the outer cutting edges are flush with the ends of the blade.

10' blade only: The outer two cutting edge holes will not be used with the carbide edges. The supplied curb guards will use those outer two holes.

9. Fully tighten the locknuts to 150 ft-lb.

10. Turn the vehicle ignition and snowplow control ON. Raise the blade slightly. Turn the control OFF and remove the jack stands.

11. Stand 8 feet clear of the blade and lower the blade to the ground.

12. Level the A-frame according to the snowplow Installation Instructions or Owner's Manual.

74961 3-PIECE CARBIDE INSERT CUTTING EDGE KIT

Copyright © 2018 Douglas Dynamics, LLC. All rights reserved. This material may not be reproduced or copied, in whole or in part, in any printed, mechanical, electronic, film or other distribution and storage media, without the written consent of Western Products. Authorization to photocopy items for internal or personal use by Western Products outlets or snowplow owner is granted.

Western Products reserves the right under its product improvement policy to change construction or design details and furnish equipment when so altered without reference to illustrations or specifications used. Western Products or the vehicle manufacturer may require or recommend optional equipment for snow removal. Do not exceed vehicle ratings with a snowplow. Western Products offers a limited warranty for all snowplows and accessories. See separately printed page for this important information. The following are registered (®) or unregistered (™) trademarks of Douglas Dynamics, LLC: PRO PLUS®, UltraMount® 2, WESTERN®.

Printed in U.S.A.
