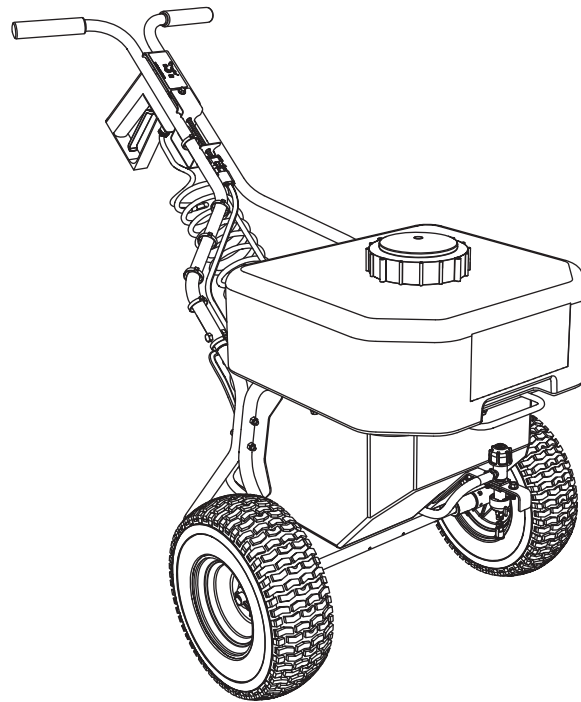




Walk-Behind Sprayer

SL-80 & SL-80SS

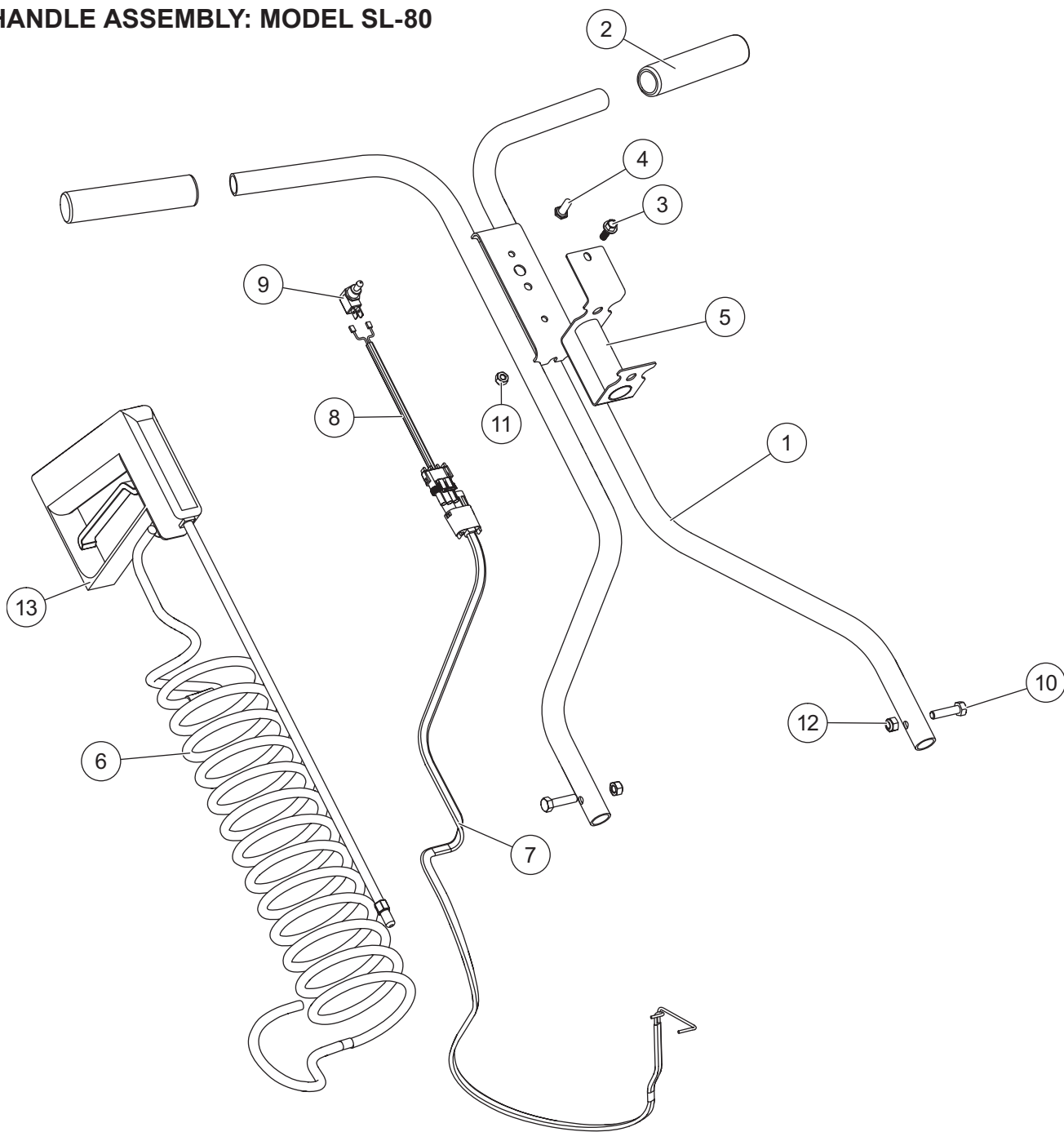
Parts List



This document is for SnowEx® SL-80 and SL-80SS walk-behind sprayers beginning with serial numbers 170301 and higher.

SL-80 WALK-BEHIND SPRAYER PARTS LIST

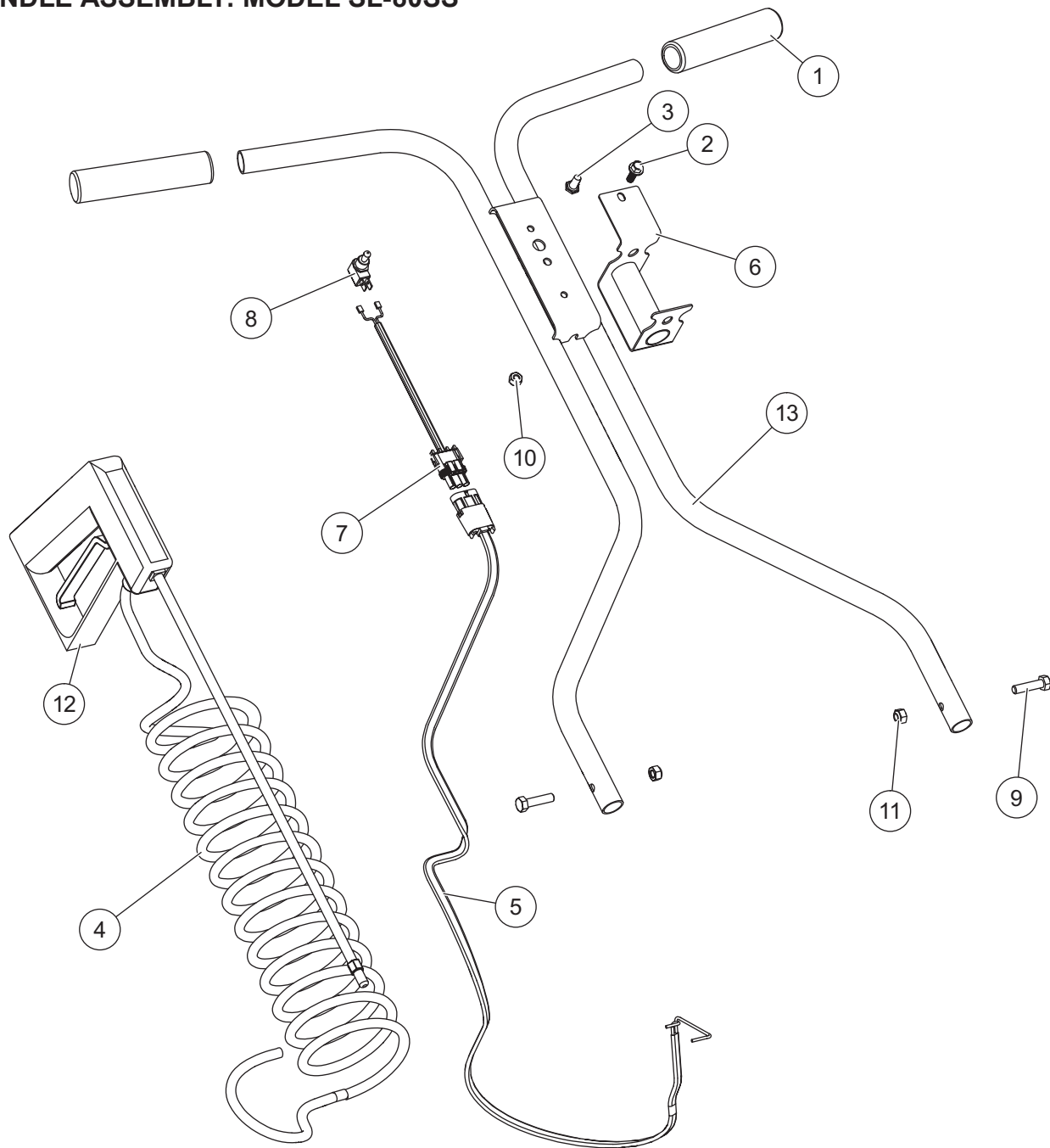
HANDLE ASSEMBLY: MODEL SL-80



Handle Assembly – SL-80							
Item	Part	Qty	Description	Item	Part	Qty	Description
1	50912	1	Handle	8	11253	1	Switch Harness
2	50917	2	Handle Grip	9	11254	1	Switch
3	51031	1	1/4-20 x 3/4 Serrated Flange Bolt	10	11257	2	5/16-18 x 1-1/4 Hex Cap Screw
4	11236	1	Rubber Switch Boot	11	50970	1	1/4-20 Locknut
5	11239	1	Wand Bracket	12	50971	2	5/16-18 Locknut
6	11246	1	Coil Hose	13	11261	1	Spot Spray Wand
7	11252	1	Pump Harness				

SL-80SS WALK-BEHIND SPRAYER PARTS LIST

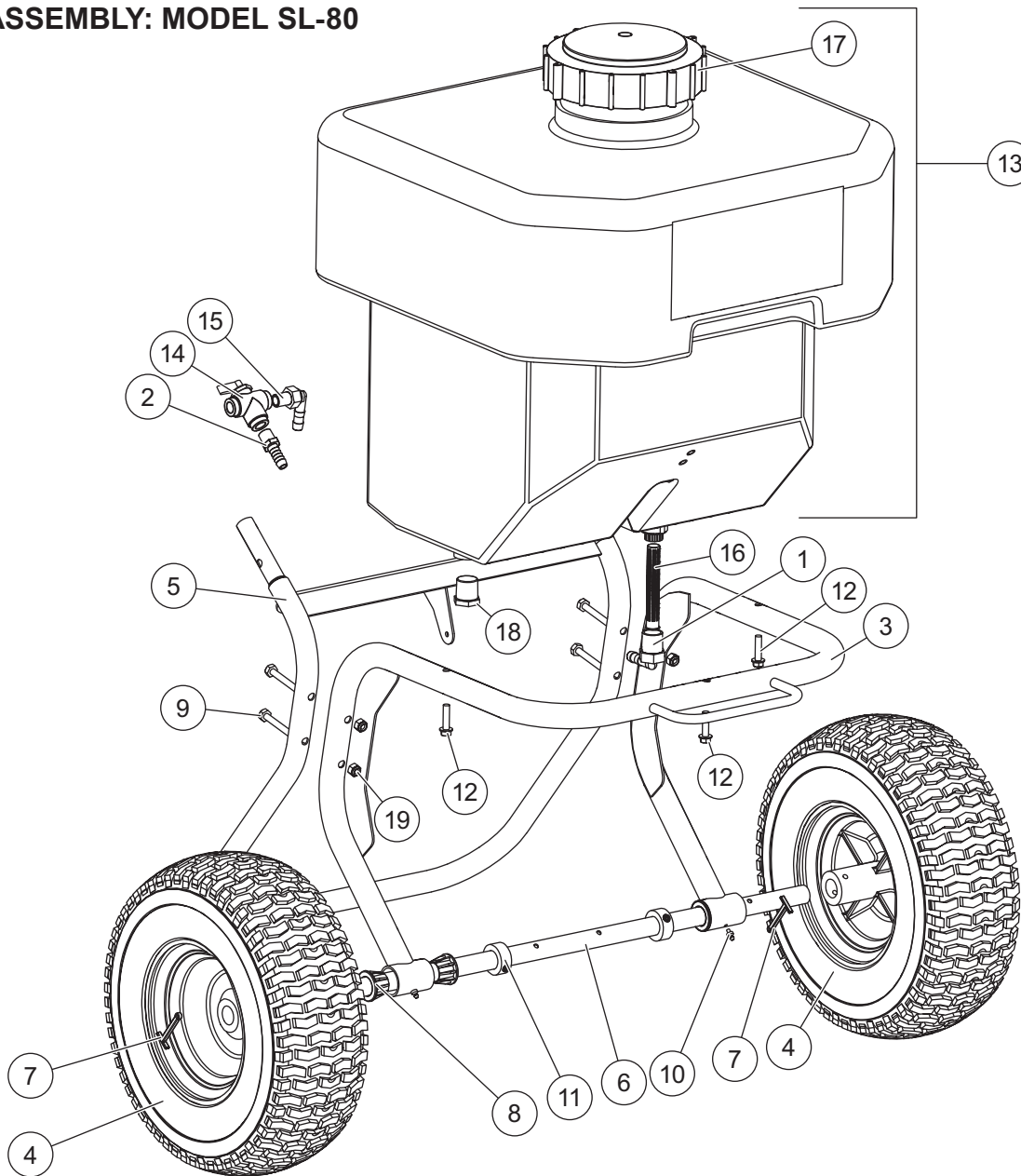
HANDLE ASSEMBLY: MODEL SL-80SS



Handle Assembly – SL-80SS							
Item	Part	Qty	Description	Item	Part	Qty	Description
1	50917	2	Handle Grip	7	11254	1	Switch
2	11236	1	Rubber Switch Boot	8	11257	2	5/16-18 x 1-1/4 Hex Cap Screw
3	11246	1	Coil Hose	9	50970	1	1/4-20 Locknut
4	11252	1	Pump Harness	10	50971	2	5/16-18 Locknut
5	F50020	1	Wand Bracket	11	11261	1	Spot Spray Wand
6	11253	1	Switch Harness	12	T30153	1	Handle

SL-80 WALK-BEHIND SPRAYER PARTS LIST

TANK ASSEMBLY: MODEL SL-80



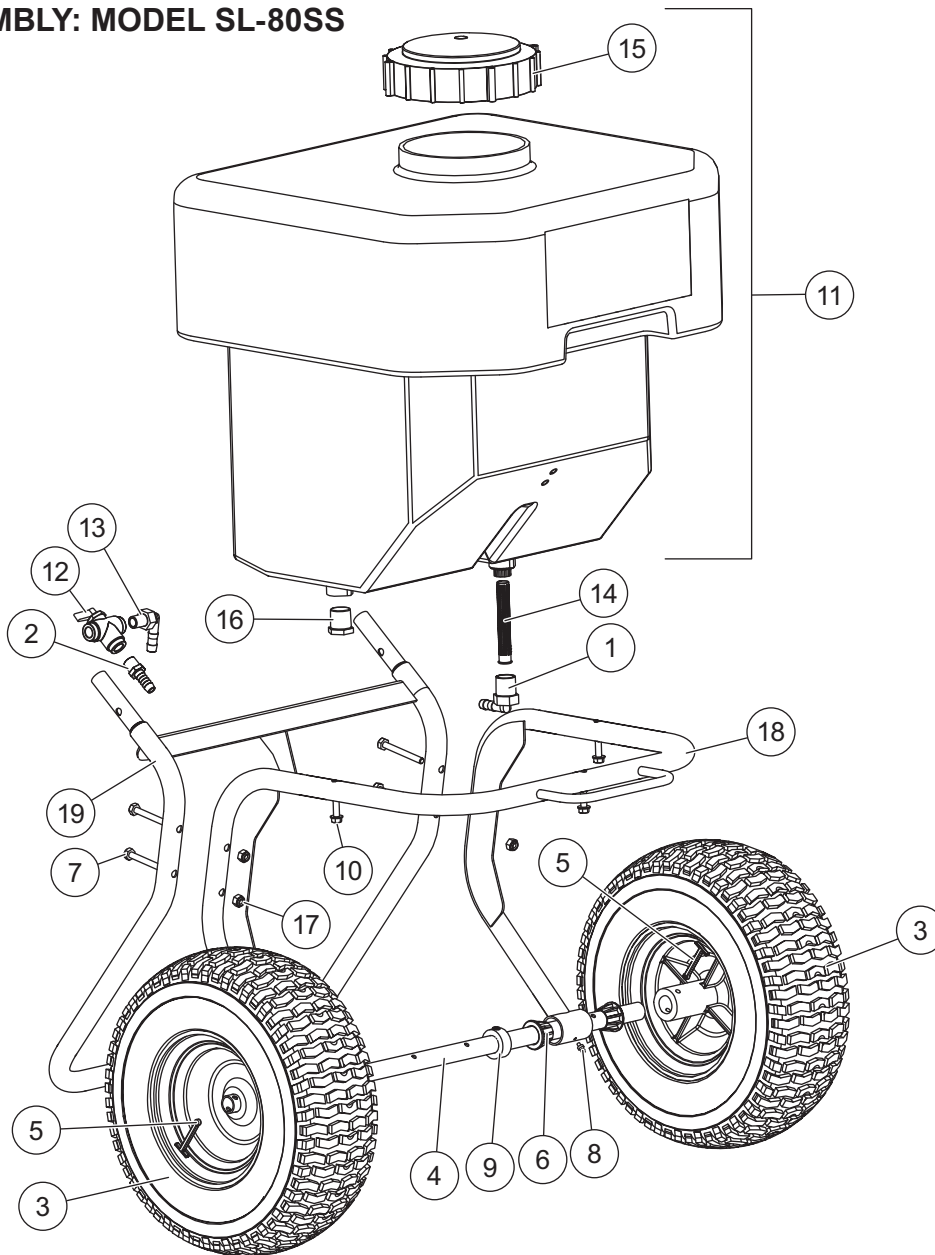
Tank Assembly Components – SL-80

Item	Part	Qty	Description	Item	Part	Qty	Description
1	11233	1	1/2 Male Thread x 3/8 90° Hose Barb	11	50965	2	Shaft Collar
2	11234	1	1/4 Male Thread x 3/8 Hose Barb	12	11237	3	1/4-20 x 1 Serrated Flange Bolt
3	11235	1	Hopper Frame	13	F50009	1	Tank (incl. Item 17)
4	50907	2	13 x 5 Wheel	14	11247	1	Panel Mount Valve
5	50909	1	Frame Stand	15	11249	1	1/4 Male Thread x 3/8 90° Hose Barb
6	50915	1	Axle	16	11255	1	Tank Strainer
7	50933	2	2" Cotter Pin SS	17	11259	1	Tank Lid, 6" Vented
8	50935	4	Wheel Bushing	18	11260	1	1/2" Pipe Plug
9	50948	4	1/4-20 x 2-1/4 Hex Cap Screw	19	50970	4	1/4-20 Locknut
10	50964	2	Grease Fitting				

SS = Stainless Steel

SL-80SS WALK-BEHIND SPRAYER PARTS LIST

TANK ASSEMBLY: MODEL SL-80SS



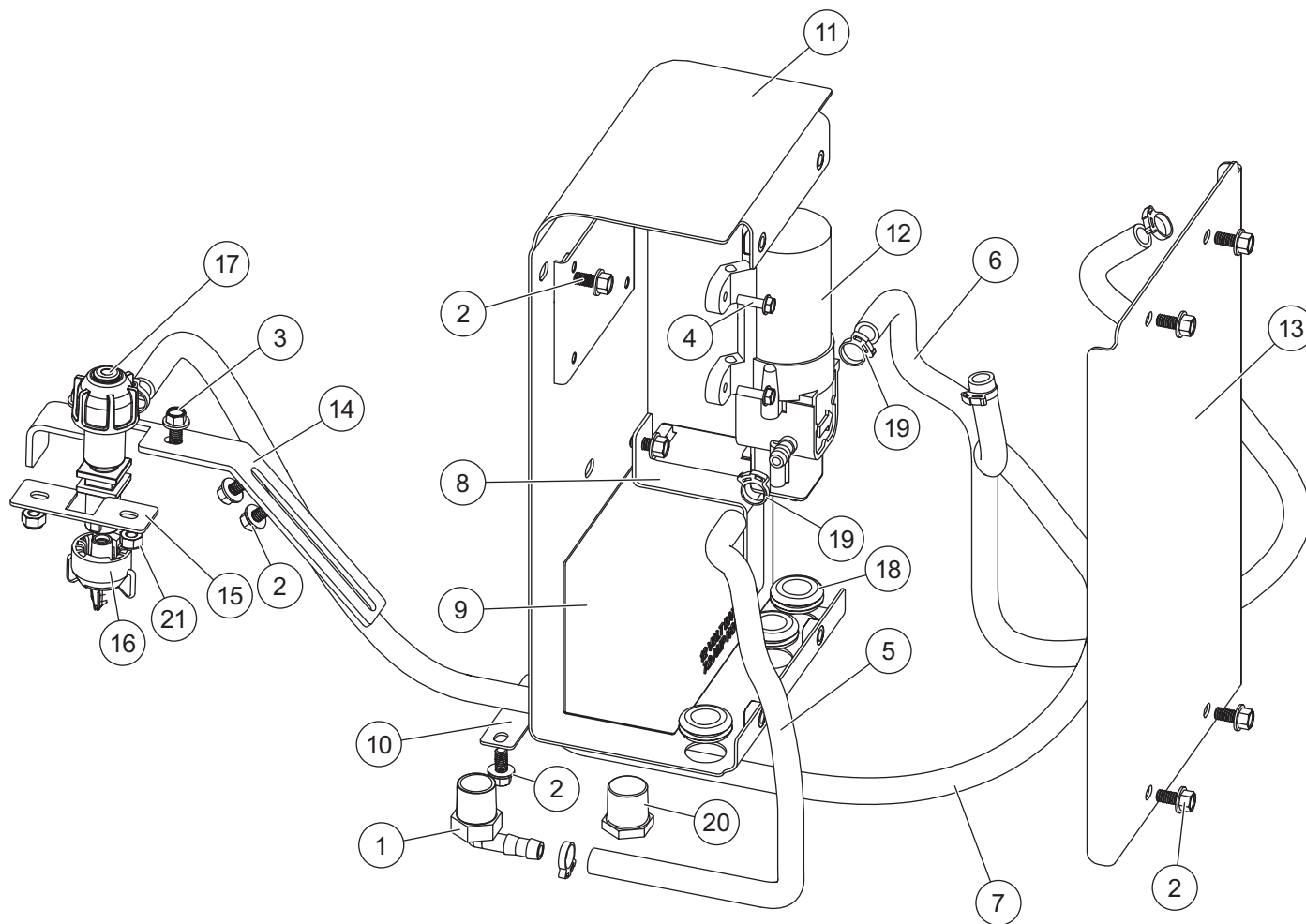
Tank Assembly Components – SL-80SS

Item	Part	Qty	Description	Item	Part	Qty	Description
1	11233	1	1/2 Male Thread x 3/8 90° Hose Barb	11	F50009	1	Tank (incl. Item 15)
2	11234	1	1/4 Male Thread x 3/8 Hose Barb	12	11247	1	Panel Mount Valve
3	50907	2	13 x 5 Wheel	13	11249	1	1/4 Male Thread x 3/8 90° Hose Barb
4	50915	1	Axle	14	11255	1	Tank Strainer
5	50933	2	2" Cotter Pin SS	15	11259	1	Tank Lid, 6" Vented
6	50935	4	Wheel Bushing	16	11260	1	1/2" Pipe Plug
7	50948	4	1/4-20 x 2-1/4 Hex Cap Screw	17	50970	4	1/4-20 Locknut
8	50964	2	Grease Fitting	18	T30151	1	Hopper Frame
9	50965	2	Shaft Collar	19	T30152	1	Frame Stand
10	11237	3	1/4-20 x 1 Serrated Flange Bolt				

SS = Stainless Steel

SL-80 WALK-BEHIND SPRAYER PARTS LIST

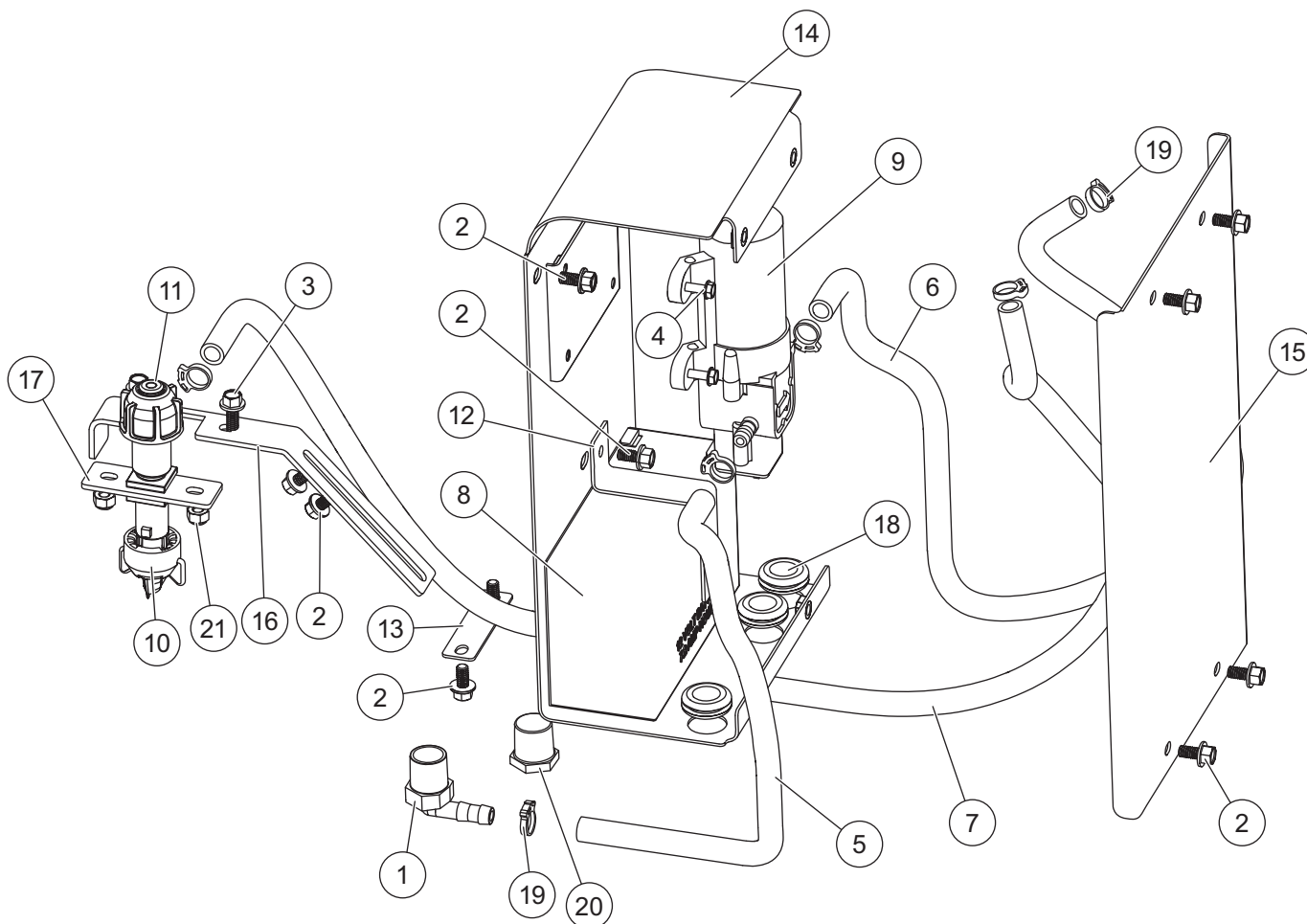
PUMP ASSEMBLY COMPONENTS: MODEL SL-80



Pump Assembly – SL-80						
Item	Part	Qty	Description	Item	Part	Qty Description
1	11233	1	1/2 Male Thread x 3/8 90° Hose Barb	12	11243	1 Pump
2	51030	11	1/4-20 x 1/2 Serrated Flange Bolt	13	11244	1 Pump Enclosure Cover
3	51031	2	1/4-20 x 3/4 Serrated Flange Bolt	14	11245	1 Inside Nozzle Body Bracket
4	51039	4	#10-32 x 5/8 Serrated Flange Bolt	15	11248	1 Outside Nozzle Body Bracket
5	10823	1	3/8" Hose – 16.5	16	11250	1 Push Sprayer Nozzle
6	10823	1	3/8" Hose – 30	17	11251	1 Nozzle Body
7	10823	1	3/8" Hose – 40	18	11256	3 Rubber Grommet
8	11238	1	Battery Bracket	19	11258	6 3/8" Hose Clamp
9	11240	1	Battery	20	11260	1 1/2" Pipe Plug
10	11241	1	Hose Guide	21	50970	2 1/4"-20 Locknut
11	11242	1	Pump Enclosure			

SL-80SS WALK-BEHIND SPRAYER PARTS LIST

PUMP ASSEMBLY COMPONENTS: MODEL SL-80SS



Pump Assembly – SL-80SS							
Item	Part	Qty	Description	Item	Part	Qty	Description
1	11233	1	1/2 Male Thread x 3/8 90° Hose Barb	12	F50019	1	Battery Bracket
2	51030	11	1/4-20 x 1/2 Serrated Flange Bolt	13	F50021	1	Hose Guide
3	51031	2	1/4-20 x 3/4 Serrated Flange Bolt	14	F50022	1	Pump Enclosure
4	51039	4	#10-32 x 5/8 Serrated Flange Bolt	15	F50023	1	Pump Enclosure Cover
5	10823	1	3/8" Hose – 16.5	16	F50024	1	Inside Nozzle Body Bracket
6	10823	1	3/8" Hose – 30	17	F50025	1	Outside Nozzle Body Bracket
7	10823	1	3/8" Hose – 40	18	11256	3	Rubber Grommet
8	11240	1	Battery	19	11258	6	3/8" Hose Clamp
9	11243	1	Pump	20	11260	1	1/2" Pipe Plug
10	11250	1	Push Sprayer Nozzle	21	50970	2	1/4"-20 Locknut
11	11251	1	Nozzle Body				



TrynEx International
531 Ajax Drive
Madison Heights, MI 48071-2429
www.snowexproducts.com

 A DIVISION OF DOUGLAS DYNAMICS, LLC

Copyright © 2017 Douglas Dynamics, LLC. All rights reserved. This material may not be reproduced or copied, in whole or in part, in any printed, mechanical, electronic, film or other distribution and storage media, without the written consent of TrynEx International. Authorization to photocopy items for internal or personal use by TrynEx International outlets or sprayer owner is granted.

TrynEx International reserves the right under its product improvement policy to change construction or design details and furnish equipment when so altered without reference to illustrations or specifications used. TrynEx International may require or recommend optional equipment for sprayers. TrynEx International offers a limited warranty for all sprayers and accessories. See separately printed page for this important information. The following are registered (®) trademarks of Douglas Dynamics, LLC: SnowEx®, TrynEx®.

Printed in U.S.A.