



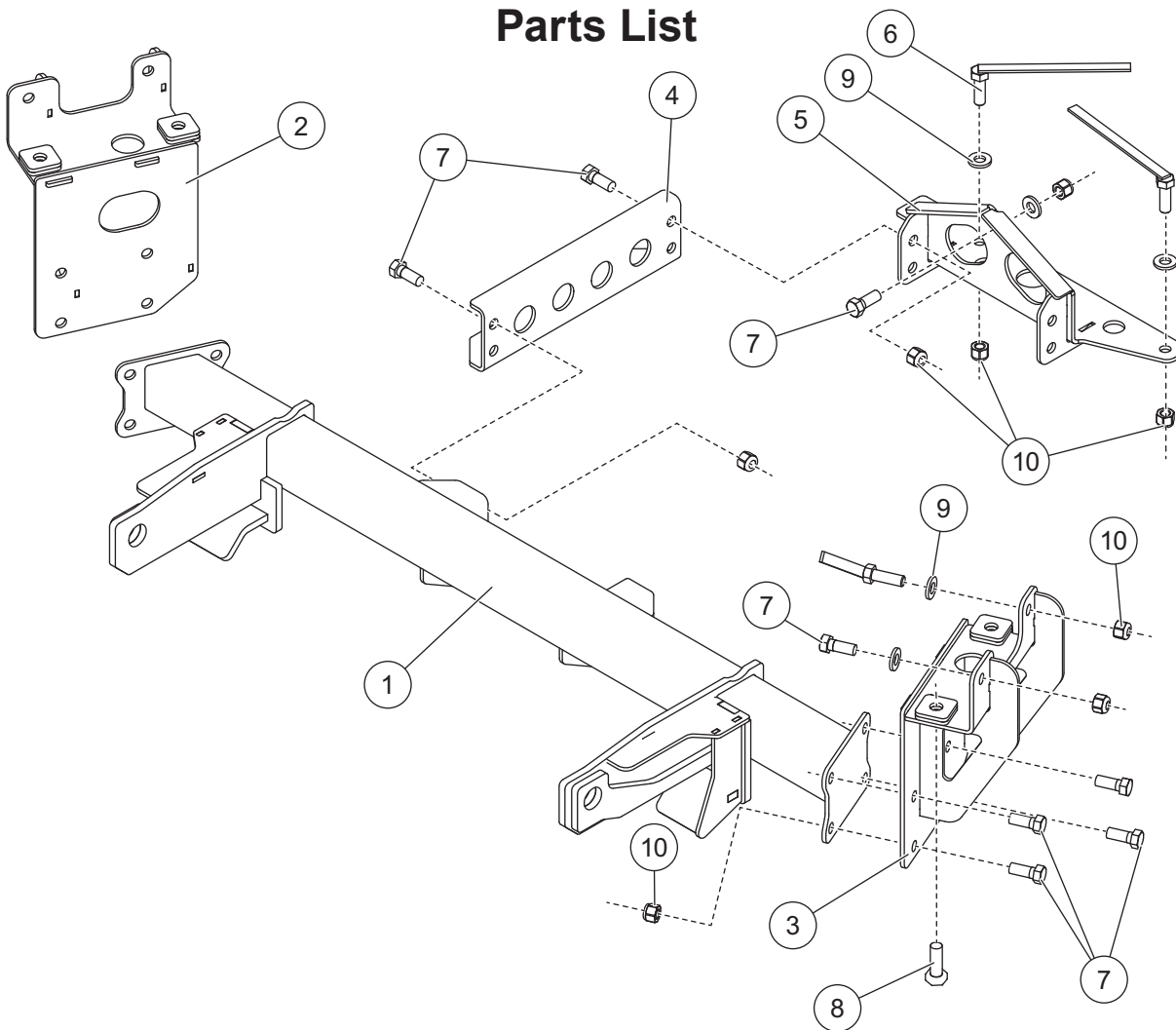
Minute² SYSTEM

MOUNT KIT

Ram 1500

2019-__

Parts List



77108-1

| 77108-1 Mount Kit | | | | | | | |
|-------------------|-------|-----|---------------------------------|------|-------|-----------|--|
| Item | Part | Qty | Description | Item | Part | Qty | Description |
| 1 | 74435 | 1 | Mount Beam | 5 | 74447 | 1 | Rear Thrust Assembly |
| 2 | 74438 | 1 | Hanger Assembly – PS | 6 | 21590 | 4 | 1/2-13 x 1-1/2 Hex Cap Screw G5 w/Handle, 7" |
| 3 | 74439 | 1 | Hanger Assembly – DS | | | | |
| 4 | 74446 | 2 | Thrust Arm | ns | 74335 | 1 | Bolt Bag |
| 74335 Bolt Bag | | | | | | | |
| | | 19 | 1/2-13 x 1-1/4 Hex Cap Screw G5 | 9 | | 7 | 1/2 Hardened Flat Washer, Type 1 |
| | | 2 | M14 x 40 Hex Cap Screw G8.8 | 10 | | 23 | 1/2-13 Hex Locknut GB |
| ns = not shown | | | M = Metric | | | G = Grade | |

Copyright © 2021 Douglas Dynamics, LLC. All rights reserved. This material may not be reproduced or copied, in whole or in part, in any printed, mechanical, electronic, film, or other distribution and storage media, without the written consent of Fisher Engineering. Authorization to photocopy items for internal or personal use by Fisher Engineering outlets or snowplow owner is granted.

Fisher Engineering reserves the right under its product improvement policy to change construction or design details and furnish equipment when so altered without reference to illustrations or specifications used. Fisher Engineering or the vehicle manufacturer may require or recommend optional equipment for snow removal. Do not exceed vehicle ratings with a snowplow. Fisher Engineering offers a limited warranty for all snowplows and accessories. See separately printed page for this important information. The following are registered (®) trademarks of Douglas Dynamics, LLC: FISHER®, Minute Mount® 2.

Printed in U.S.A.