



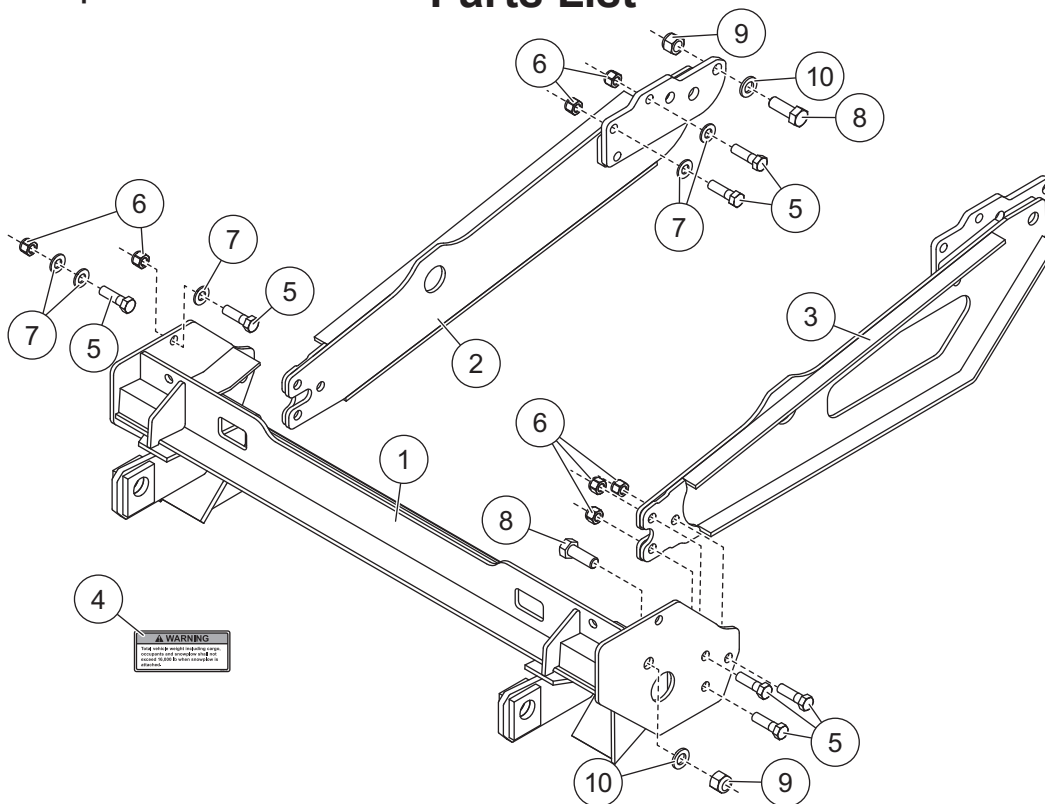
# Minute<sup>2</sup> SYSTEM

## MOUNT KIT

Isuzu NPR/HD/XD	2008 - ___
Isuzu NRR/NQR (16,000 GVWR max.†)	2008 - ___
GM W-Series	2008 - 10
GM LCF 3500/3500 HD/4500/4500 HD	2016 - ___
GM LCF 4500 XD/5500 HD/5500 XD (16,000 GVWR max.†)	2016 - ___

† When snowplow is attached.

### Parts List



7196-2

7196-2 Mount Kit							
Item	Part	Qty	Description	Item	Part	Qty	Description
1	41725	1	Front Mount	4	76281	1	Label, Max. Weight Warning
2	41726	1	Thrust Arm – PS	ns	41729	1	Bolt Bag
3	41727-1	1	Thrust Arm – DS				
41729 Bolt Bag							
5		14	1/2-13 x 1-3/4 Hex Cap Screw G8	8		4	5/8-11 x 1-3/4 Hex Cap Screw G5
6		14	1/2-13 Hex Locknut GB	9		4	5/8-11 Hex Locknut GB
7		12	1/2 Hardened Flat Washer	10		4	5/8 Hardened Flat Washer
ns = not shown				G = Grade			

Copyright © 2017 Douglas Dynamics, LLC. All rights reserved. This material may not be reproduced or copied, in whole or in part, in any printed, mechanical, electronic, film or other distribution and storage media, without the written consent of Fisher Engineering. Authorization to photocopy items for internal or personal use by Fisher Engineering outlets or snowplow owner is granted.

Fisher Engineering reserves the right under its product improvement policy to change construction or design details and furnish equipment when so altered without reference to illustrations or specifications used. Fisher Engineering or the vehicle manufacturer may require or recommend optional equipment for snow removal. Do not exceed vehicle ratings with a snowplow. Fisher Engineering offers a limited warranty for all snowplows and accessories. See separately printed page for this important information. The following are registered (®) trademarks of Douglas Dynamics, LLC: FISHER®, Minute Mount® 2.

Printed in U.S.A.