



Fisher Engineering

50 Gordon Drive, Rockland, Maine 04841-2139 • www.fisherplows.com

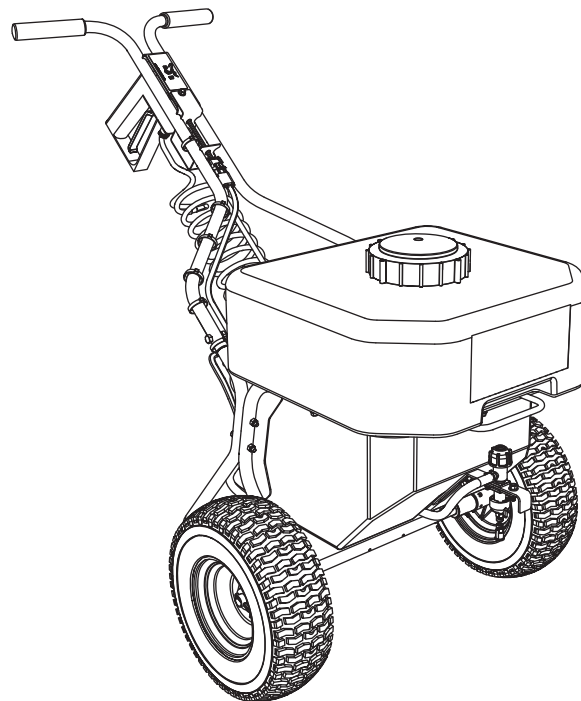
March 15, 2019
Lit. No. 76652, Rev. 02

Walk-Behind Sprayer

SS-120

Owner's Manual and Installation Instructions

Original Instructions



⚠ CAUTION

Read this document before operating or servicing the sprayer.

This document is for FISHER® SS-120 walk-behind sprayers with serial numbers beginning with 170301 and higher.

This document supersedes all editions with an earlier date.

www.storksplows.com
TABLE OF CONTENTS

PREFACE 5
 Owner's Information Form 5
SAFETY 6
ASSEMBLY 12
OPERATING 16
TROUBLESHOOTING 14
MAINTENANCE 15

PREFACE

This manual has been prepared to acquaint you with the safety information, operation, and maintenance of your new walk-behind sprayer. Please read this manual carefully and follow all recommendations. This will help ensure profitable and trouble-free operation of your sprayer. Keep this manual accessible. It is a handy reference in case minor service is required.

When service is necessary, bring your walk-behind sprayer to your distributor. They know your sprayer best and are interested in your complete satisfaction.

Register your sprayer online at www.fisherplows.com

OWNER'S INFORMATION

Owner's Name: _____

Date Purchased: _____

Outlet Name: _____ Phone: _____

Outlet Address: _____

Sprayer Type (Model): _____ Weight: _____ lb/kg

Sprayer Serial Number: _____

SAFETY

SAFETY DEFINITIONS

WARNING

Indicates a potentially hazardous situation that, if not avoided, could result in death or serious personal injury.

CAUTION

Indicates a potentially hazardous situation that, if not avoided, may result in minor or moderate injury. It may also be used to alert against unsafe practices.

NOTE: Indicates a situation or action that can lead to damage to your sprayer and vehicle or other property. Other useful information can also be described.

LABELS

Please become familiar with the labels on the sprayer.

NOTE: If labels are missing or cannot be read, see your sales outlet.

Code	Definition
YY	2-Digit Year
MM	2-Digit Month
DD	2-Digit Day
LL	2-Digit Location Code
####	4-Digit Sequential Number
SS-120	Model Number



SAFETY

SAFETY PRECAUTIONS

Improper installation and operation could cause personal injury and/or equipment and property damage. Read and understand labels and this Owner's Manual before assembling, operating, or making adjustments.

WARNING

- Always make sure personnel are clear of areas of danger when using equipment.
- Before working with the sprayer, secure all loose-fitting clothing and unrestrained hair.
- Always wear safety glasses with side shields when servicing sprayer. Failure to do this could result in serious injury to the eyes.
- Do not climb onto or ride on sprayer.

CAUTION

- Do not operate a sprayer in need of maintenance.
- Before operating the sprayer, reassemble any parts or hardware removed for cleaning or adjusting.
- Before operating the sprayer, remove materials such as cleaning rags, brushes, and hand tools from the sprayer.

PERSONAL SAFETY

- Wear only snug-fitting clothing while working on your sprayer.
- Do not wear jewelry or a necktie, and secure long hair.
- Wear safety goggles to protect your eyes from dirt and dust.

NOISE

Airborne noise emission during use is below 70 dB(A) for the sprayer operator.

VIBRATION

Operating sprayer vibration does not exceed 2.5 m/s² to the hand-arm or 0.5 m/s² to the whole body.

SAFETY

CHEMICAL ACCIDENT PROCEDURES

<p>Sprayer leak</p>	<p>If the sprayer develops a leak, immediately stop spraying. Turn OFF power to the sprayer and follow directions below, as applicable.</p>
<p>Bodily chemical contact</p>	<p>Personal contamination can occur when chemicals splash, spill, or spray directly onto a person.</p> <ol style="list-style-type: none"> 1. Immediately follow First Aid instructions on chemical label. <p>General procedures can include:</p> <ol style="list-style-type: none"> a. Eyes – immediately flush with water. b. Skin – wash all contaminated skin surfaces with soap and water. c. Clothing – remove contaminated clothing. Dispose of heavily contaminated clothing per chemical label instructions. <ol style="list-style-type: none"> 2. Seek medical advice if instructed on the label or the victim experiences symptoms of harmful effects. Bring the chemical label for reference.
<p>Poisoning by ingestion or inhalation</p>	<p>In case of poisoning from ingestion or inhalation:</p> <p>If the victim has collapsed or is not breathing, call 911. Otherwise:</p> <ol style="list-style-type: none"> 1. If you are the victim, immediately seek assistance from nearby personnel because you may become incapacitated. 2. Immediately follow First Aid instructions on chemical label. 3. Call a poison control center for further advice. In the U.S. call 1-800-222-1222. Have the chemical label available for reference.
<p>Chemical spills</p>	<p>Chemical spills must quickly be contained and properly cleaned up.</p> <p>Refer to the chemical label for any specific clean-up instructions.</p> <p>General procedures include:</p> <ol style="list-style-type: none"> 1. Controlling the spill by stopping the source of the spill. 2. Containing the spill so that it does not spread and get into water sources. 3. Cleaning up the spill immediately. 4. Seeking additional advice from: <ul style="list-style-type: none"> – Chemical manufacturer: See chemical label for contact information. – State pesticide regulatory agency: In the U.S., call the National Pesticide Information Center at 1-800-858-7378 for assistance in contacting your state agency.

SAFETY

DURING ASSEMBLY

Check and test completed assembly as directed in this manual. Serious injury could result from chemical leaks if sprayer is improperly assembled.

IMPORTANT: Do not modify sprayer design.

DURING OPERATION

- Read and follow each chemical label's instructions and warnings.
- Avoid inhaling, ingesting, or coming into contact with any chemicals.
- Know applicable licensing and regulatory requirements for the chemical you plan to use.
- Know emergency procedures before handling chemicals. Carefully review the Chemical Accident Procedures listed in this manual. Also, see First Aid instructions on the chemical label.
- Wear protective clothing, eye protection, and chemical resistant gloves when filling, using, and cleaning the sprayer. Wear additional protective gear, such as face masks or aprons, as recommended on the chemical label.
- Exercise extra caution around children and pets. Keep sprayer and spray materials away from them at all times.
- Do not mix or pour chemicals in an enclosed, unventilated area.
- Do not use flammable or corrosive chemicals in the sprayer.
- Flush the sprayer before switching chemicals in order to prevent dangerous chemical interactions.

SAFETY

BEFORE SPRAYING

- Inspect and prepare sprayer before each use as directed in this manual.
- Do not start sprayer until ready to spray in order to avoid unintentional spray release.
- Wear additional personal protective equipment if you will be spraying overhead. You will be exposed to much more mist or errant spray in these applications. Wear chemical resistant head and neck protection, full face mask or half-face mask with sealed goggles, and consider using a respirator.
- Do not spray when wind speed exceeds 4 miles per hour in order to minimize spray drift.
- Keep sprayer and spray materials away from children and pets.
- Do not allow anyone younger than 16 years of age to operate sprayer.

DURING SPRAYING

- Do not over-apply. Apply at a rate recommended by the chemical manufacturer.
- Do not eat, drink, smoke, rub your eyes, or touch your bare skin while handling chemicals and spraying.
- Never point the spray gun at people or animals.
- Do not spray near open flames or sources of heat.
- Always hold the spray gun firmly when using it to spray at higher pressures in order to prevent gun from whipping. Keep good footing and balance at all times.
- Exercise extra caution when spraying near areas accessible to children and pets.
- Clean up spills immediately per instructions on the chemical label.
- Turn OFF sprayer and relieve system pressure before leaving sprayer unattended.
- See the Troubleshooting section of this manual before attempting any repairs. Wear personal protective equipment and follow safety instructions.

SAFETY

AFTER SPRAYING

- Decontaminate yourself after you are done spraying and have cleaned the sprayer. Wash all exposed areas of the body with soap and water, and remove and launder clothing.
- Dispose or store remaining chemicals in secure storage with correctly marked container.

TRANSPORTING SAFETY

- Exercise caution in vehicle handling when driving with sprayer to avoid loss of control or rollover.
 - Keep speed to a minimum so you can maintain control. Reduce speed prior to turns.
 - Allow for more distance to stop.
 - Avoid any sudden steering maneuvers, starts, or stops that could create liquid sloshing in the sprayer and instability.
- Slow down and exercise caution on sloped or uneven terrain.
- Turn OFF sprayer before leaving unattended.
- Do not attempt to lift with liquid in sprayer.

ASSEMBLY

TIRE INFLATION

⚠ WARNING

Use safety glasses and gloves when inflating and installing the tires. Use manual pump only to inflate. Refer to the tire sidewall for manufacturer's recommended pressure. Do not exceed the maximum inflation pressure.

The sprayer is shipped with tires partially inflated. Using a manual pump, fully inflate the tires to the psi setting shown on the tire sidewall.

SPRAYER ASSEMBLY

1. Remove spray wand from its packaged storage location on the tank base assembly.



2. Install the handle assembly to the tank base assembly using the provided 5/16" x 1-1/4" cap screws and 5/16" nylon locknuts.
3. Plug the switch harness on the handle assembly into the pump harness on the tank base assembly.
4. Insert the spray wand into the spray wand bracket on the underside of the handle assembly.

5. Remove, reverse, and reinstall the nozzle bracket on the front of the unit. Be sure the spray opening on the nozzle body is pointing down.



Packaged State



Installed State

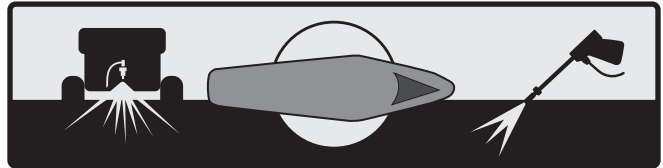
ASSEMBLY & OPERATING THE SPRAYER

6. Install the included spray nozzle to the nozzle body.

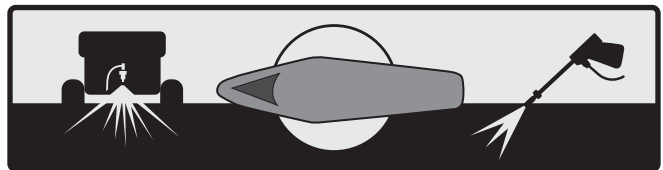


SPRAYER OPERATION

1. Be sure that the pump switch is in the "OFF" position.
2. Fill the sprayer with liquid through the port on the top of the tank.
3. Select the desired application method by turning the valve handle toward the appropriate icon:

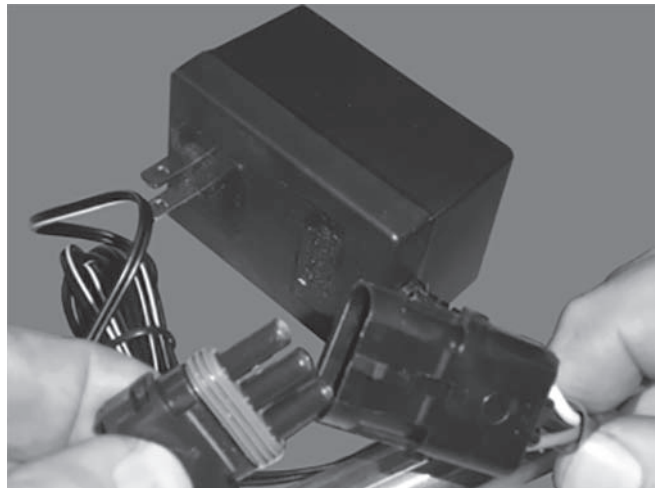


Turn toward the wand icon to use the spray wand.



Turn toward the spray icon to use the front spray nozzle.

4. When ready to spray, turn the pump switch to the "ON" position. When done spraying, be sure to turn the pump switch to the "OFF" position.
5. Charge the battery after each use. Disconnect the harness and connect the battery charger as shown below. Then plug the charger into a 110 Volt outlet.



TROUBLESHOOTING

Whenever service is necessary, the local FISHER® dealer knows the sprayer best. Take the sprayer to the local dealer for any maintenance or service needs on the unit. If this is not possible, the troubleshooting guide below may assist in identifying the problem.

⚠ WARNING

Read all warning instructions and safety messages before servicing the sprayer.

Preliminary checks:

- Be sure all electrical connections are tight and clean.
- Be sure nothing is obstructing the nozzles.

PROBLEM	POSSIBLE CAUSE	SOLUTION
1. Pump doesn't run	Loose electrical connections	Check all connections
	Pump seized	Replace pump
	Electrical short	Check for bare wires
	Dead battery	Charge battery
2. Liquid not spraying	Empty tank	Fill tank
	Pump not running	Refer to Problem #1
	Obstructed nozzle	Remove and clean nozzle

MAINTENANCE

MAINTENANCE

1. Grease axle grease fittings after every 20 hours of use.
2. When putting the unit into storage for the season, drain the tank and hose lines, and flush the pump.



Fisher Engineering
50 Gordon Drive
Rockland, ME 04841-2139
www.fisherplows.com

A DIVISION OF FISHER, LLC



This product conforms to EU Machinery Directive 2006/42/EC.

Copyright © 2019 Douglas Dynamics, LLC. All rights reserved. This material may not be reproduced or copied, in whole or in part, in any printed, mechanical, electronic, film, or other distribution and storage media, without the written consent of Fisher Engineering. Authorization to photocopy items for internal or personal use by Fisher Engineering outlets or sprayer owner is granted.

Fisher Engineering reserves the right under its product improvement policy to change construction or design details and furnish equipment when so altered without reference to illustrations or specifications used. Fisher Engineering may require or recommend optional equipment for sprayers. Fisher Engineering offers a limited warranty for all sprayers and accessories. See separately printed page for this important information. The following is a registered (®) trademark of Douglas Dynamics, LLC: FISHER®.

Printed in U.S.A.