



MOUNT KIT

Nissan Titan XD

2016-__

Installation Instructions

⚠ CAUTION

Read this document before installing the snowplow.

⚠ CAUTION

See your FISHER® outlet/website for specific vehicle application recommendations before installation. The eMatch tool has specific vehicle and snowplow requirements.

77106

SAFETY DEFINITIONS

⚠ WARNING

Indicates a potentially hazardous situation that, if not avoided, could result in death or serious personal injury.

⚠ CAUTION

Indicates a potentially hazardous situation that, if not avoided, may result in minor or moderate injury. It may also be used to alert against unsafe practices.

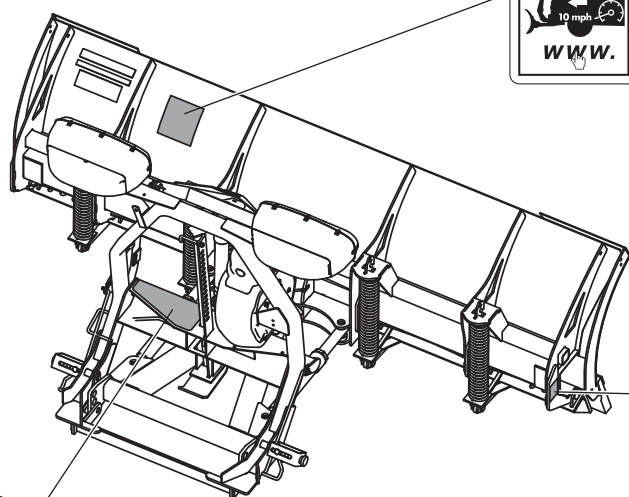
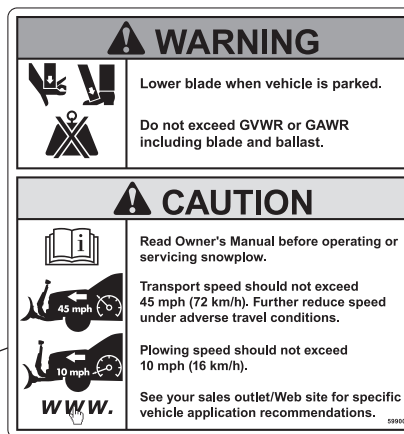
NOTE: Indicates a situation or action that can lead to damage to your snowplow and vehicle or other property. Other useful information can also be described.

WARNING/CAUTION & INSTRUCTION LABELS

Become familiar with and inform users about the warning labels on the back of the blade and the instruction label on the headgear.

NOTE: If labels are missing or cannot be read, see your sales outlet.

Warning/Caution Label



Multiple Pinch Points Label



XLSTM Blades Only (both sides)

Instruction Label

1. Push **Pin Release Handle** down to pull out **Connecting Pins**.

2. Drive vehicle slowly to engage **Pushplates** into **Attachment Arms**.

3. Stand in front of blade. Fully raise **Pin Release Handle** to release **Connecting Pins**.

4. Push **Headgear** toward vehicle to allow **Connecting Pins** to fully engage **Pushplates**. If unable to push **Headgear** from in front of blade, stand in front of **Headgear** on driver side and push **Headlamp Bracket**.

5. Pull out **Jack Lock**, Push **Pin Release Handle** into **Stop**.

6. While holding **Jack Lock** out, use **Jack Handle** to raise **Jack** fully, Release **Jack Lock**.

7. Attach all electrical connectors.

ATTACH

DETACH

1. Place control in Lower/Float to put blade down.

2. Pull and hold **Jack Lock** out. **Jack** will drop to ground. Then pull **Pin Release Handle** away from **Stop** and **Jack Lock**. Release **Jack Lock**. Verify that **Jack** is locked by trying to lift **Jack**.

3. Stand in front of blade. While pushing **Headgear** toward vehicle with left hand, push **Pin Release Handle** down to disengage **Connecting Pins**. Make sure **Connecting Pins** are fully retracted. If unable to push **Headgear** from in front of blade, stand in front of **Headgear** on driver side and push **Headlamp Bracket**.

4. Detach all electrical connectors.

Read Owner's Manual for complete instructions.

U.S. patents 6,408,549; 6,526,677; 6,711,837; 6,928,757; 6,944,976; 7,400,058; 7,430,821; 7,689,334; 7,737,076; 7,767,859; 9,200,416; 9,522,563; CAN patents 2,364,257; 2,356,030; 2,832,102; 2,629,052; and other patents pending.

27451.13

SAFETY PRECAUTIONS

Improper installation and operation could cause personal injury and/or equipment and property damage. Read and understand labels and the Owner's Manual before installing, operating, or making adjustments.

⚠ WARNING

Lower the blade when the vehicle is parked. Temperature changes could change hydraulic pressure, causing the blade to drop unexpectedly or damaging hydraulic components. Failure to do this could result in serious personal injury.

⚠ WARNING

The driver shall keep bystanders clear of the blade when it is being raised, lowered, or angled. Do not stand between the vehicle and the blade or within 8 feet of a moving blade. A moving or falling blade could cause personal injury.

⚠ WARNING

Keep hands and feet clear of the blade and A-frame when mounting or removing the snowplow. Moving or falling assemblies could cause personal injury.

⚠ WARNING

Do not exceed GVWR or GAWR including the blade and ballast. The rating label is found on the driver-side vehicle door cornerpost.

⚠ WARNING

To prevent accidental movement of the blade, always turn the control OFF whenever the snowplow is not in use. The power indicator light will turn OFF.

⚠ WARNING

Remove blade assembly before placing vehicle on hoist.

⚠ CAUTION

Refer to the eMatch tool for minimum vehicle recommendations and ballast requirements.

PERSONAL SAFETY

- Remove ignition key and put the vehicle in PARK or in gear to prevent others from starting the vehicle during installation or service.
- Wear only snug-fitting clothing while working on your vehicle or snowplow.
- Do not wear jewelry or a necktie, and secure long hair.
- Wear safety goggles to protect your eyes from battery acid, gasoline, dirt, and dust.
- Avoid touching hot surfaces such as the engine, radiator, hoses, and exhaust pipes.
- Always have a fire extinguisher rated BC handy, for flammable liquids and electrical fires.

FIRE AND EXPLOSION

⚠ WARNING

Gasoline is highly flammable and gasoline vapor is explosive. Never smoke while working on vehicle. Keep all open flames away from gasoline tank and lines. Wipe up any spilled gasoline immediately.

Be careful when using gasoline. Do not use gasoline to clean parts. Store only in approved containers away from sources of heat or flame.

CELL PHONES

A driver's first responsibility is the safe operation of the vehicle. The most important thing you can do to prevent a crash is to avoid distractions and pay attention to the road. Wait until it is safe to operate Mobile Communication Equipment such as cell phones, text messaging devices, pagers, or two-way radios.

VENTILATION

⚠ WARNING

Vehicle exhaust contains lethal fumes. Breathing these fumes, even in low concentrations, can cause death. Never operate a vehicle in an enclosed area without venting exhaust to the outside.

77106

NOISE

Airborne noise emission during use is below 70 dB(A) for the snowplow operator.

VIBRATION

Operating snowplow vibration does not exceed 2.5 m/s² to the hand-arm or 0.5 m/s² to the whole body.

TORQUE CHART

⚠ CAUTION

Read instructions before assembling. Fasteners should be finger tight until instructed to tighten according to the torque chart. Use standard methods and practices when attaching snowplow, including proper personal protective safety equipment.

Recommended Fastener Torque Chart					
Inch Fasteners Grade 5 and Grade 8					
Size	Torque (ft-lb)		Size	Torque (ft-lb)	
	Grade 5	Grade 8		Grade 5	Grade 8
1/4-20	8.4	11.9	9/16-12	109	154
1/4-28	9.7	13.7	9/16-18	121	171
5/16-18	17.4	24.6	5/8-11	150	212
5/16-24	19.2	27.3	5/8-18	170	240
3/8-16	30.8	43.6	3/4-10	269	376
3/8-24	35.0	49.4	3/4-16	297	420
7/16-14	49.4	69.8	7/8-9	429	606
7/16-20	55.2	77.9	7/8-14	474	669
1/2-13	75.3	106.4	1-8	644	909
1/2-20	85.0	120.0	1-12	704	995

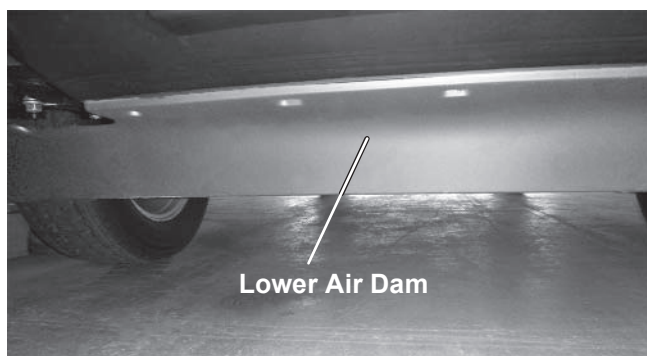
Metric Fasteners Class 8.8 and 10.9					
Size	Torque (ft-lb)		Size	Torque (ft-lb)	
	Class 8.8	Class 10.9		Class 8.8	Class 10.9
M6 x 1.00	7.7	11.1	M20 x 2.50	325	450
M8 x 1.25	19.5	26.9	M22 x 2.50	428	613
M10 x 1.50	38.5	53.3	M24 x 3.00	562	778
M12 x 1.75	67	93	M27 x 3.00	796	1139
M14 x 2.00	107	148	M30 x 3.50	1117	1545
M16 x 2.00	167	231	M33 x 3.50	1468	2101
M18 x 2.50	222	318	M36 x 4.00	1952	2701

These torque values apply to fasteners except those noted in the instructions.

INSTALLATION INSTRUCTIONS

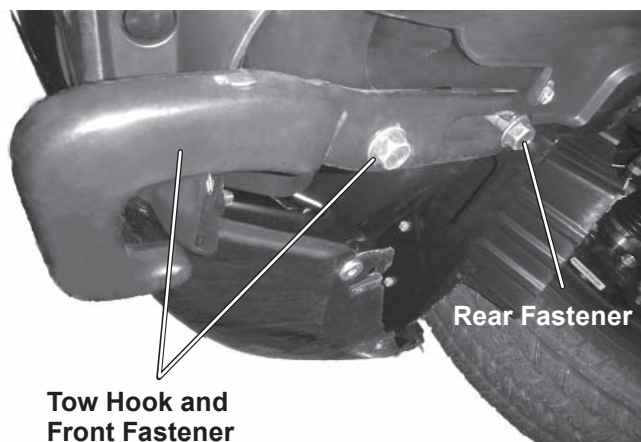
NOTE: For easier assembly and installation, vehicle and all snowplow components should be on a smooth, level, hard surface, such as concrete.

1. Remove the lower air dam and bumper from the vehicle. Retain the air dam, bumper, and fasteners for reinstallation.

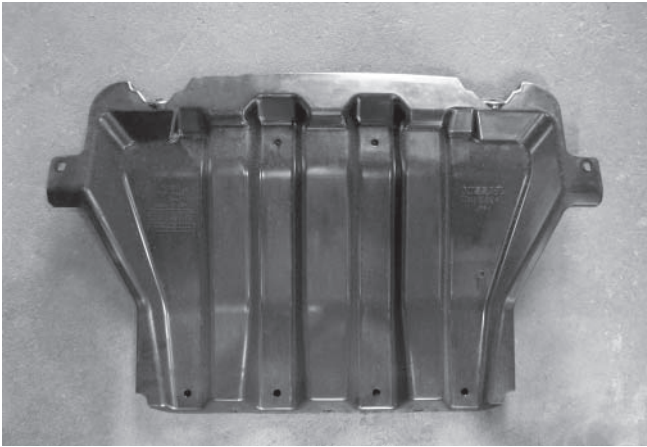


2. Remove the front tow hooks, leaving the rear tow hook fasteners partially threaded into the vehicle. Retain the front fasteners for reinstallation.

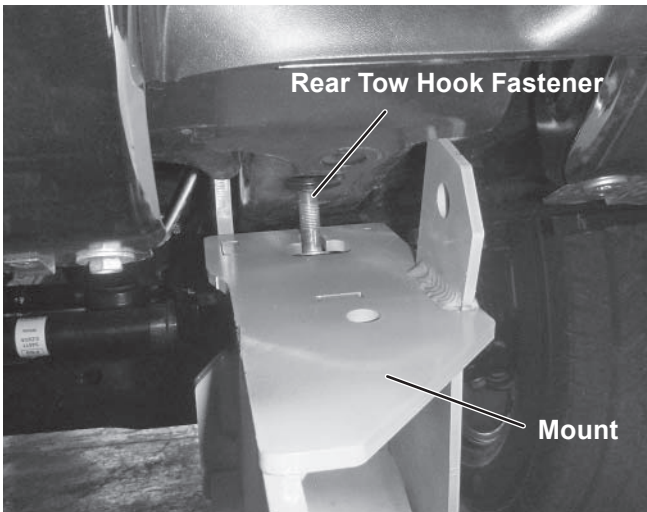
If tow hooks were not installed on the vehicle, use the four supplied M12 x 1.25 cap screws with four 1/2" washers in place of the tow hook fasteners for all subsequent steps.



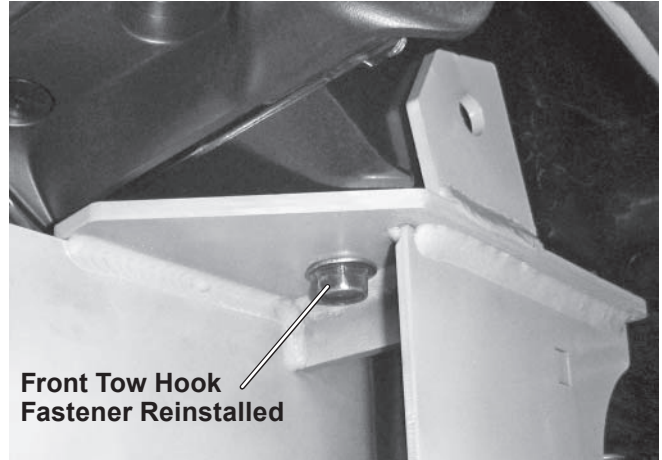
- Remove the splash shield. Retain splash shield and fasteners for reinstallation.



- Position the driver-side mount so that the loosened rear tow hook fastener extends through the keyhole-shaped slot in the mount. Slide the mount forward so the fastener sits in the narrow end of the keyhole slot.



- Reinstall the front tow hook fastener through the existing hole in the top of the mount. Tighten both front and rear tow hook fasteners until the mount is snug against the frame of the vehicle.



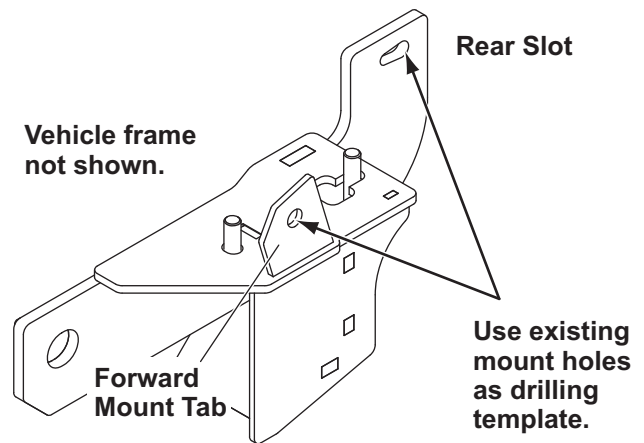
- Repeat Steps 4 and 5 on the passenger's side.

⚠ CAUTION

Use caution not to pinch, cut, or drill through any wires or hoses running along the frame rails.

- On the driver's side of the vehicle, using the large end of the rear slot of the mount as a template, drill a 17/32" hole through the vehicle frame.

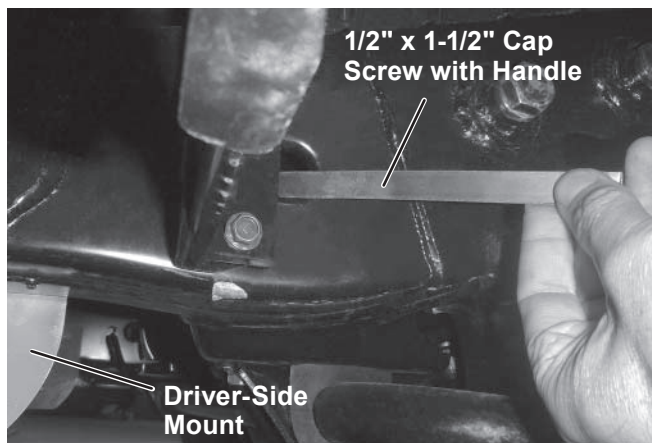
Using the existing forward mount tab hole as a template, drill a second 17/32" hole through the vehicle frame.



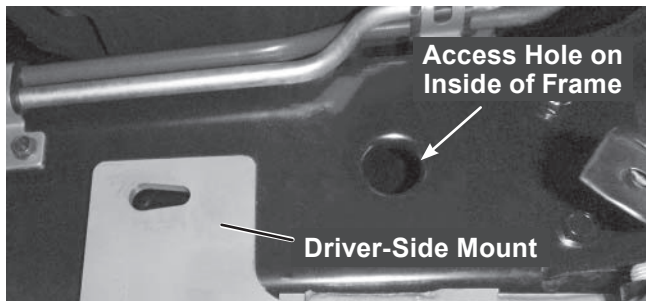
- Repeat Step 7 on the other side of the vehicle, using the existing holes in the passenger-side mount as a drilling template.

77106

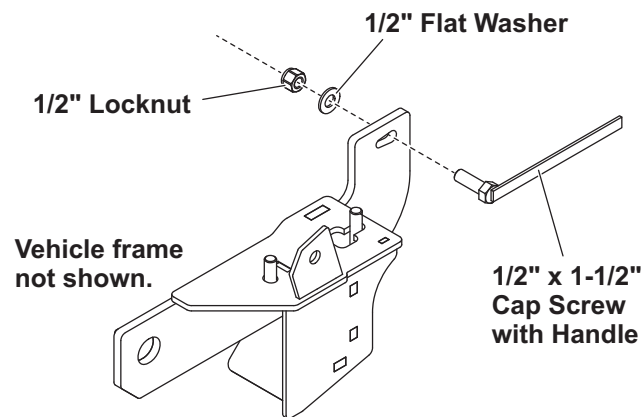
- On the driver's side of the vehicle, insert a 1/2" x 1-1/2" cap screw with handle into the access hole on the outside of the vehicle frame at the location shown below. Insert the cap screw through the rear 17/32" hole drilled in Step 7, then through the rear slot on the mount.



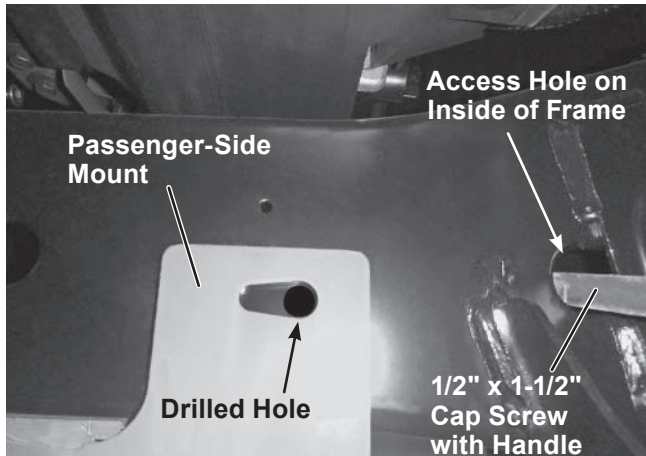
- Insert a 1/2" x 1-1/2" cap screw with handle into the access hole on the inside of the driver-side frame at the location shown below. Insert the cap screw through the front hole drilled in Step 7 and the hole in the front tab of the mount. Install a 1/2" locknut onto the cap screw and hand tighten.



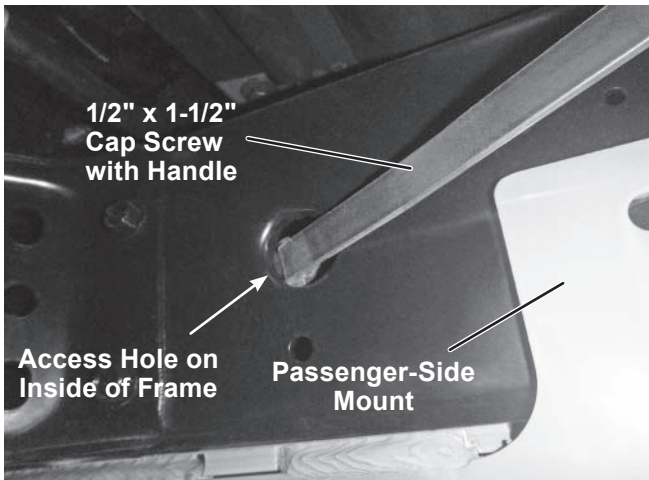
- Place a 1/2" washer onto the cap screw, install a 1/2" locknut, and hand tighten.



- On the passenger's side of the vehicle, insert a 1/2" x 1-1/2" cap screw with handle into the access hole to the rear of the mount on the inside of the vehicle frame in the location shown below. Insert the cap screw through the rear 17/32" hole drilled in Step 8 and the rear slot on the mount. Place a 1/2" washer onto the cap screw, install a 1/2" locknut, and hand tighten.

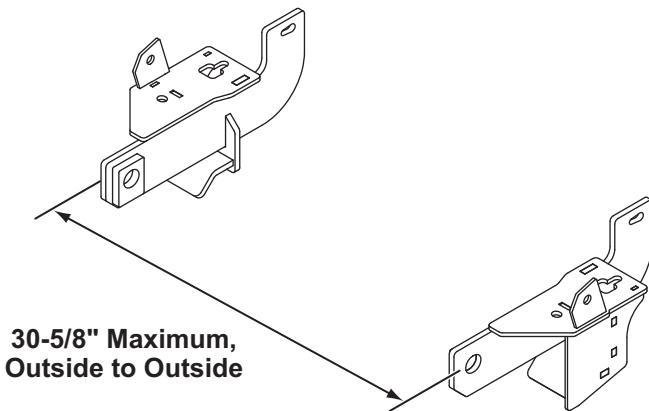


13. Insert a 1/2" x 1-1/2" cap screw with handle into the access hole on the inside of the passenger-side vehicle frame as shown below. Insert the cap screw through the front 17/32" hole drilled in Step 8 and the hole in the front tab of the mount. Install a 1/2" locknut onto the cap screw and hand tighten.

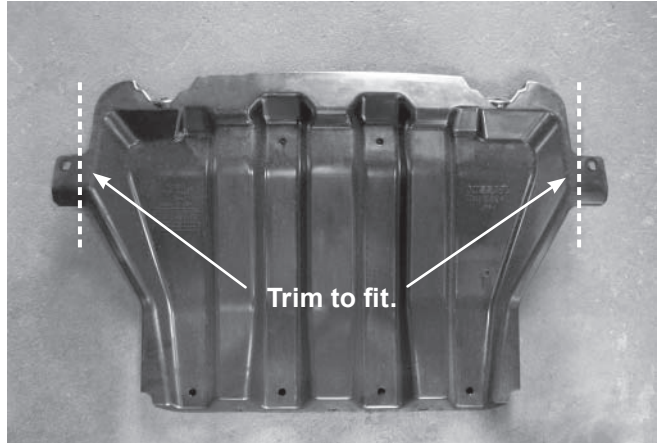


Check the distance between the passenger-side and driver-side mounts. The outside-to-outside distance of the connecting arms must be no greater than 30-5/8".

If the distance measures greater than 30-5/8", loosen the mount fasteners, adjust the mount position, then retighten the fasteners. Bend or trim cap screw handles after installation to avoid interference with vehicle components.



14. Reinstall the front bumper and lower air dam using the retained fasteners. Trim the air dam as necessary to fit around the snowplow mounts.
15. Trim the sides of the splash shield as necessary to fit between the snowplow mounts. Reinstall the shield using the retained fasteners.



16. Tighten all fasteners according to the torque chart.

NOTE: After five to ten hours of snowplow usage, retorque all mount assembly fasteners.



Fisher Engineering
50 Gordon Drive
Rockland, ME 04841-2139
www.fisherplows.com

A DIVISION OF FISHER, LLC

Fisher Engineering reserves the right under its product improvement policy to change construction or design details and furnish equipment when so altered without reference to illustrations or specifications used. Fisher Engineering or the vehicle manufacturer may require or recommend optional equipment for snow removal. Do not exceed vehicle ratings with a snowplow. Fisher Engineering offers a limited warranty for all snowplows and accessories. See separately printed page for this important information. The following are registered (®) or unregistered (™) trademarks of Douglas Dynamics, LLC: FISHER®, Minute Mount® 2, XLS™.

Printed in U.S.A.
