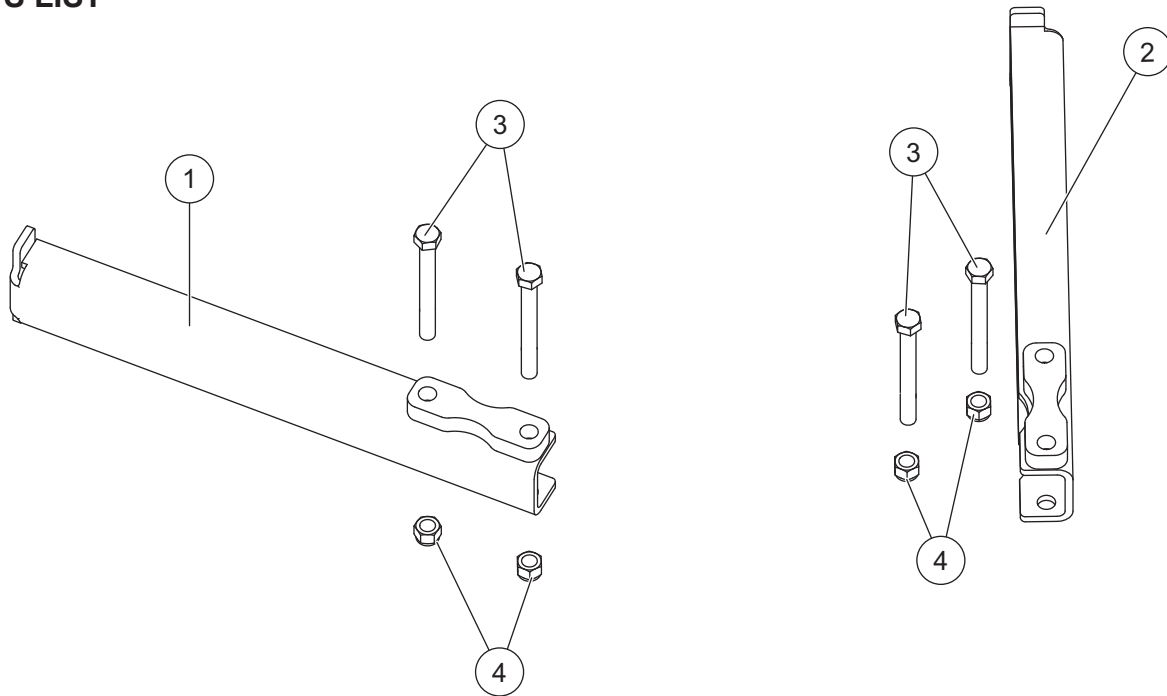


Blade Stop Kit

UTV Snowplows

PARTS LIST



83616 Blade Stop Kit							
Item	Part	Qty	Description	Item	Part	Qty	Description
1	88906	1	Blade Stop - DS	ns	88909	2	Bolt Bag
2	88907	1	Blade Stop - PS				
88909 Bolt Bag							
		4	3/8-16 x 3-1/2 Hex Cap Screw G5	4		4	3/8-16 Hex Locknut GB
ns = not shown				G = Grade			

⚠ WARNING

Do not exceed GVWR or GAWR, including blade and ballast.

⚠ CAUTION

Read this document before installing the blade stop kit.

⚠ CAUTION

Use standard methods and practices when attaching snowplow and installing accessories, including proper personal protective safety equipment.

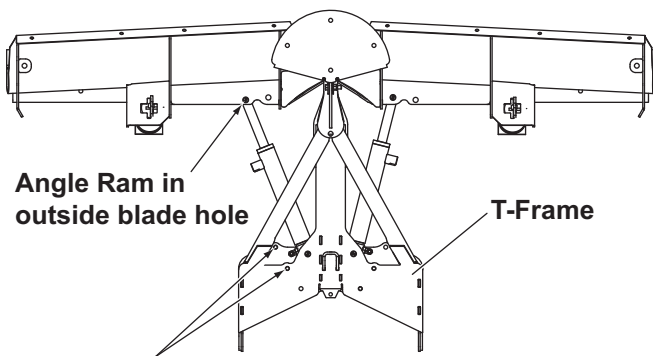
⚠ CAUTION

See your sales outlet/website for specific vehicle application recommendations before installation. The online selection tool has specific vehicle and snowplow requirements.

INSTALLATION INSTRUCTIONS

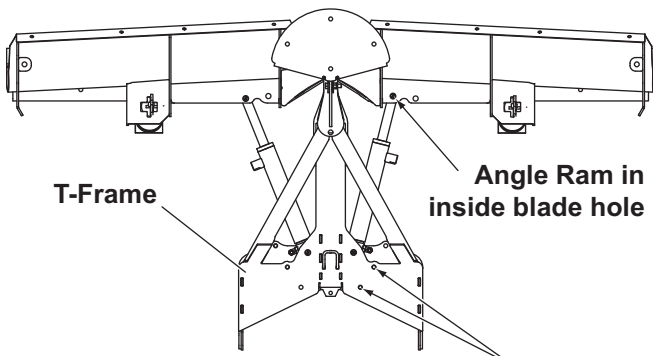
1. Park the vehicle on a smooth, level, hard surface, such as concrete. Lower the blade to the ground, and turn the control OFF. Disconnect the snowplow from the vehicle, or turn the vehicle ignition to the "OFF" position and remove the key.
2. Identify in which of the blade holes the angle rams are attached. See the images below to determine which set of holes in the T-frame the blade stops will be attached.

If Angle Ram is in Outside Blade Hole:



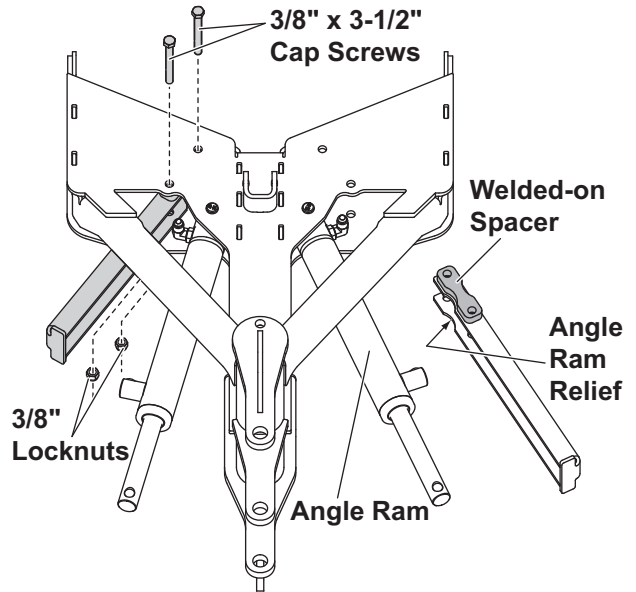
When ram is in outside blade hole, fasten blade stop to these two holes.

If Angle Ram is in Inside Blade Hole:



When ram is in inside blade hole, fasten blade stop to these two holes.

3. There is a driver-side blade stop and a passenger-side blade stop. Ensure that the blade stop is oriented with the welded-on spacer on top, and align the stop so the angle ram relief is pointed toward the angle ram.



4. Insert blade stop into the T-frame. Align the holes in the blade stop with the correct set of holes in the T-frame as determined in Step 2.
5. Insert both 3/8" x 3-1/2" cap screws through the T-frame and blade stop. Secure with 3/8" locknuts. Tighten to 30 ft-lb.
6. Repeat on opposite side.

Copyright © 2016 Douglas Dynamics, LLC. All rights reserved. This material may not be reproduced or copied, in whole or in part, in any printed, mechanical, electronic, film or other distribution and storage media, without the written consent of the company. Authorization to photocopy items for internal or personal use by the company's outlets or snowplow owner is granted.

The company reserves the right under its product improvement policy to change construction or design details and furnish equipment when so altered without reference to illustrations or specifications used. This equipment manufacturer or the vehicle manufacturer may require or recommend optional equipment for snow removal. Do not exceed vehicle ratings with a snowplow. The company offers a limited warranty for all snowplows and accessories. See separately printed page for this important information.