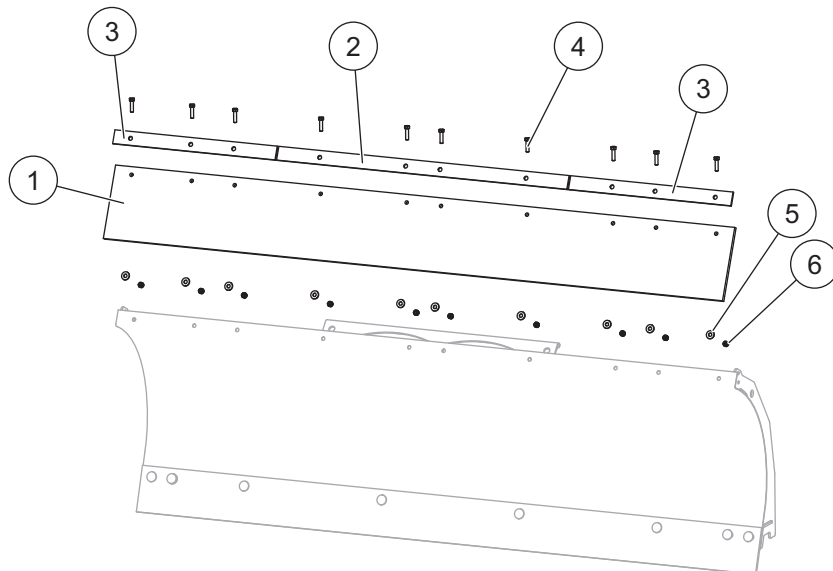




# Rubber Deflector Kit

## UTV Straight Blade Snowplows

### PARTS LIST



84984 UTV Straight Blade Rubber Deflector Kit							
Item	Part	Qty	Description	Item	Part	Qty	Description
1	83209	1	UTV Rubber Deflector	3	83205	2	Retainer Bar, Outside
2	84542	1	Retainer Bar, Center	ns	83644	1	Bolt Bag
83644 Bolt Bag							
4		10	5/16-18 x 1-1/4 Hex Cap Screw G5	6		10	5/16-18 Hex Locknut GB
5		10	5/16 Flat Washer Type A Wide				
ns = not shown				G = Grade			

**⚠ WARNING**  
Do not exceed GVWR or GAWR, including blade and ballast.

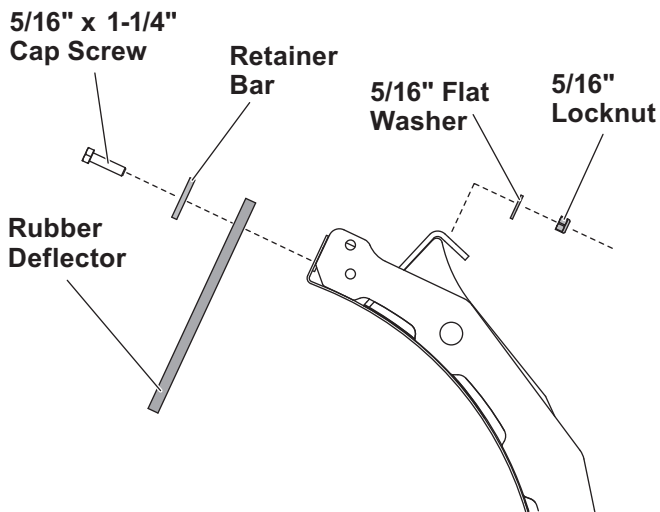
**⚠ CAUTION**  
Use standard methods and practices when attaching snowplow and installing accessories, including proper personal protective safety equipment.

**⚠ CAUTION**  
Read this document before installing the rubber deflector kit.

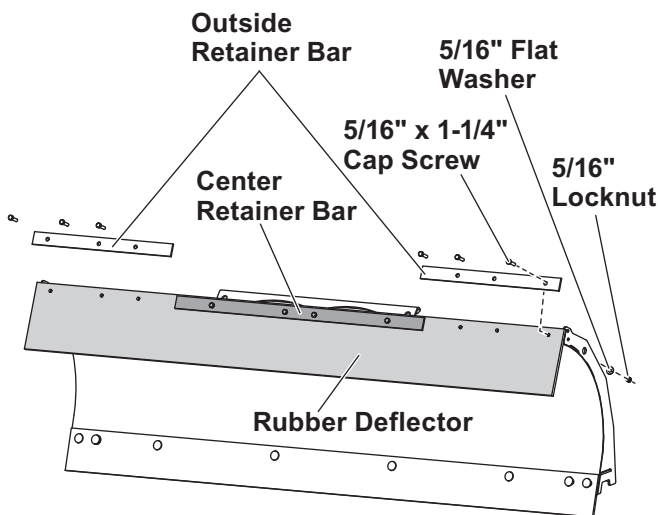
**⚠ CAUTION**  
See your SnowEx® outlet/website for specific vehicle application recommendations before installation. The Power Match selection system has specific vehicle and snowplow requirements.

**INSTALLATION INSTRUCTIONS**

1. Park the vehicle on a smooth, level, hard surface, such as concrete. Lower the blade to the ground, and turn the control OFF. Disconnect the snowplow from the vehicle, or turn the vehicle ignition to the "OFF" position and remove the key.
2. Align the deflector on the blade, matching up the holes in the deflector with the holes in the moldboard.
3. Place the center retainer bar on top of the deflector, matching up the four holes in the hold-down with the four holes on the deflector. Install the center retainer using one 5/16" x 1-1/4" cap screw, one washer and one locknut for each hole, as shown. Torque fasteners to 17 ft-lb.



4. Repeat Steps 2 and 3 to install the outside retainer bars.



Copyright © 2016 Douglas Dynamics, LLC. All rights reserved. This material may not be reproduced or copied, in whole or in part, in any printed, mechanical, electronic, film or other distribution and storage media, without the written consent of TrynEx International, LLC. Authorization to photocopy items for internal or personal use by TrynEx International, LLC outlets or snowplow owner is granted.

TrynEx International, LLC reserves the right under its product improvement policy to change construction or design details and furnish equipment when so altered without reference to illustrations or specifications used. TrynEx International, LLC or the vehicle manufacturer may require or recommend optional equipment for snow removal. Do not exceed vehicle ratings with a snowplow. TrynEx International, LLC offers a limited warranty for all snowplows and accessories. See separately printed page for this important information. The following is a registered (®) trademark of Douglas Dynamics, LLC: SnowEx®.

Printed in U.S.A.