



Fisher Engineering

**90750, 90800, 90850, 90900, 93800
93900, 77500, 97500, 97600**

50 Gordon Drive, Rockland, Maine 04841-2139 • www.fisherplows.com

August 1, 2019
Lit. No. 78556, Rev. 05



HD2™, HDX™, and XRS™ Skid Steer Snowplows

HD2 Blade Assembly 90750, 90800, 90850, 90900

HDX Blade Assembly 93800, 93900

XRS Blade Assembly 77500

HD2/HDX A-Frame/Attachment Plate & Hydraulics 97500

XRS A-Frame/Attachment Plate & Hydraulics 97600

Parts List

BLADE COMPONENTS 4

 HD2™ Blades 4

 HDX™ Blades 6

 XRS™ Blades 8

A-FRAME COMPONENTS 10

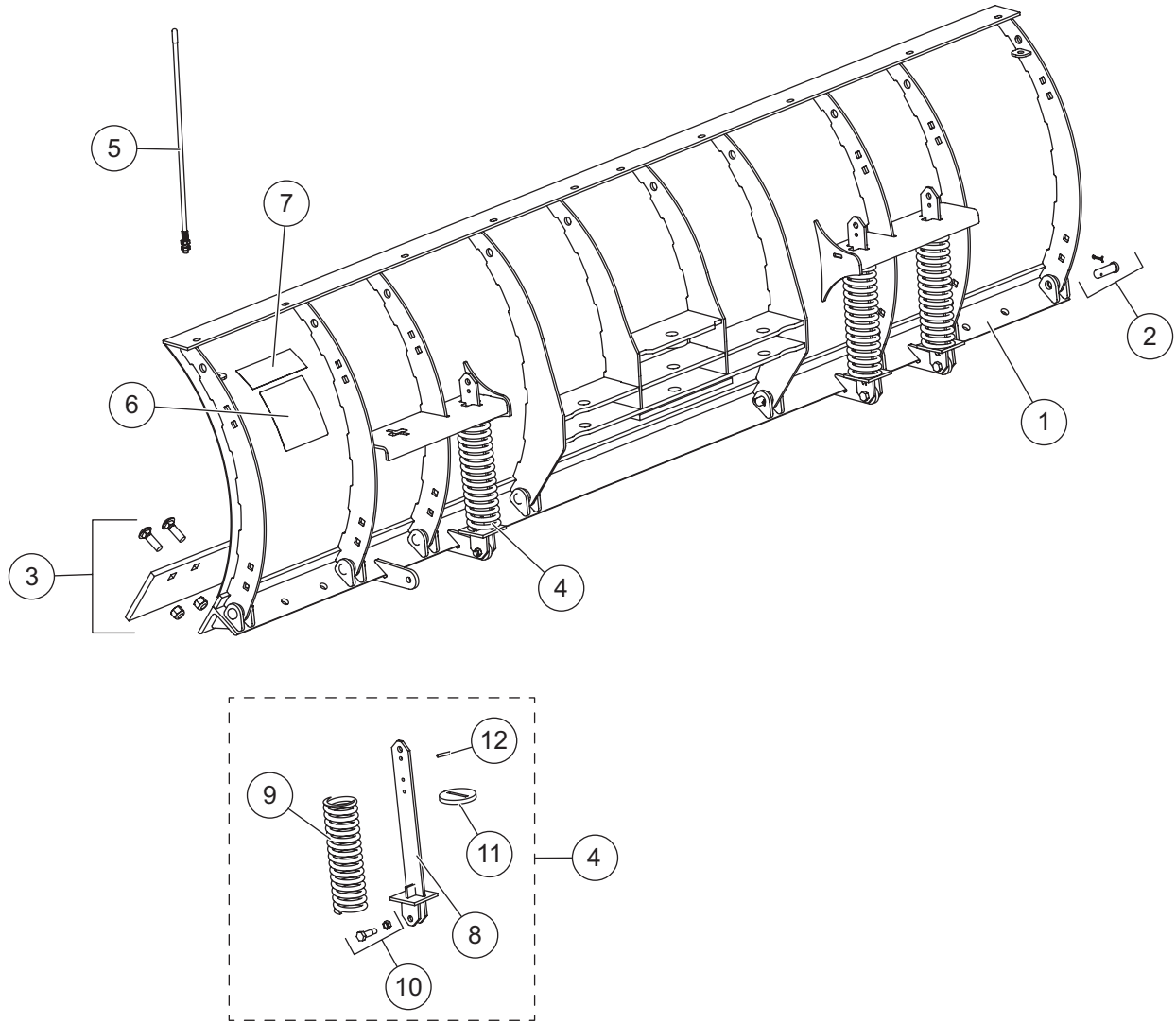
 HD2/HDX A-Frame 10

 XRS A-Frame 12

ANGLE RAM COMPONENTS 14

HYDRAULIC COMPONENTS 15

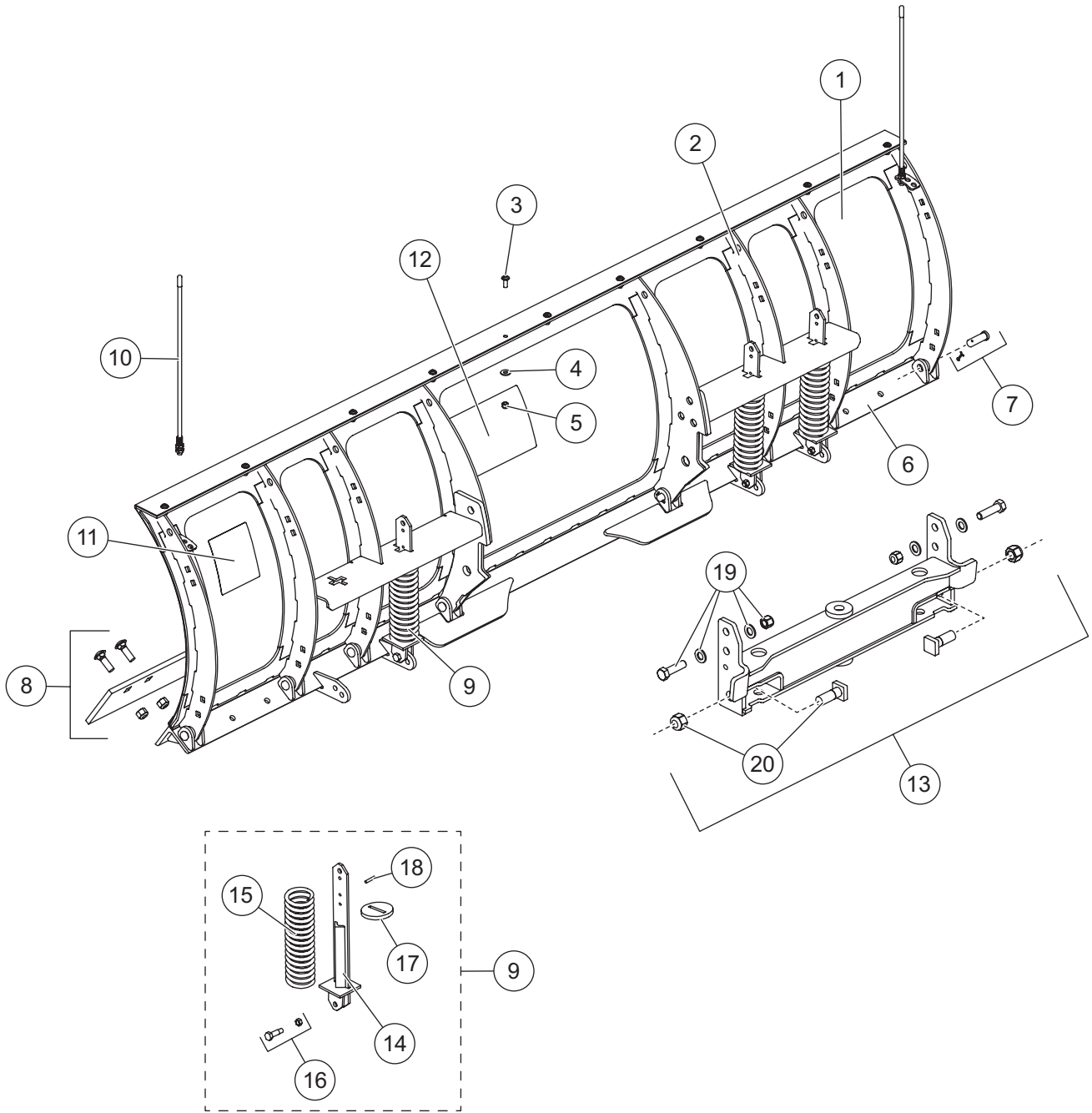
HD2™ Blade Components



90750, 90800, 90850, 90900, 93800, 77500, 93900, 97400

90750/90800/90850/90900 HD2™ Blade Components – 7.5'/8.0'/8.5'/9.0'							
Item	Part	Qty	Description	Item	Part	Qty	Description
1	52511	1	Base Angle – 7.5'	4	26464	4	Removable Spring Assembly
	52512	1	Base Angle – 8.0'	5	7906K	1	Blade Guide Kit (set of 2)
	52513	1	Base Angle – 8.5'	6	59900	1	Label – Warning/Caution, Snowplows
	52514	1	Base Angle – 9.0'	7	26211	1	Label – Logo, STORM GUARD™
2	84844	8	3/4 x 2-3/16 Machine Pin w/Cotter	ns	57990	1	Label – Attach/Detach, Skid Steer
3	5532	1	3/8 Steel Cutting Edge – 7.5'	ns	20238	1	Label – Logo, FISHER®
	5533	1	1/2 Steel Cutting Edge – 8.0'	ns	43893	1	Label – Identity, HD2
	26460	1	1/2 Steel Cutting Edge – 8.5'				
	5534	1	1/2 Steel Cutting Edge – 9.0'				
Item 4	26464 Removable Spring Assembly						
8	20757	4	Removable Spring Bar	11	20191	4	Removable Spring Disk
9	27406	4	Trip Spring	12	20181	4	1/4 x 1-1/4 Pin
10	40905	4	Shoulder Bolt w/Locknut				
ns = not shown							

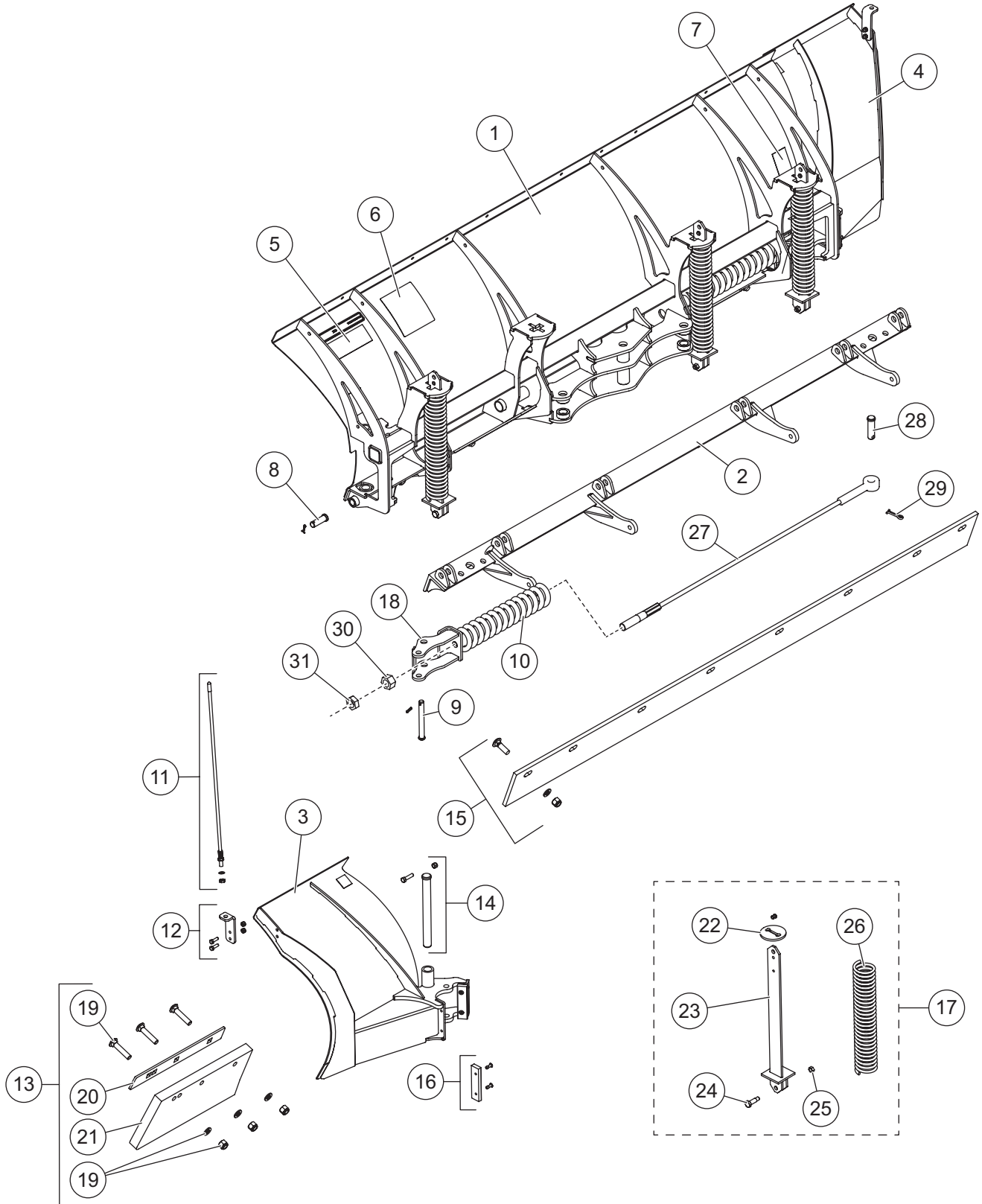
HDX™ Blade Components



90750, 90800, 90850, 90900, 93800, 77500, 93900, 97400

93800/93900 HDX™ Blade Components – 8.0'/9.0'							
Item	Part	Qty	Description	Item	Part	Qty	Description
1	52164	1	Moldboard Kit Skid Steer – 8.0'	8	5533	1	1/2 Steel Cutting Edge – 8.0'
	52163	1	Moldboard Kit Skid Steer – 9.0'		5534	1	1/2 Steel Cutting Edge – 9.0'
2	52165	1	Blade Frame (w/o Base Angle) – 8.0'	9	26464	4	Removable Spring Assembly
	52166	1	Blade Frame (w/o Base Angle) – 9.0'	10	7906K	1	Blade Guide (set of 2)
3	98035	10	3/8-16 x 1 Button Cap Screw SS	11	59900	1	Label – Warning/Caution, Snowplows
4	29233	10	3/8 Hardened Flat Washer	12	57990	1	Label – Attach/Detach, Skid Steer
5	95410	10	3/8 x 16 Brass Locknut	13	52588	1	Articulating Quadrant w/Fasteners
6	52167	1	Base Angle – 8.0'	ns	20238	1	Label – Logo, FISHER®
	52182	1	Base Angle – 9.0'	ns	43672	1	Label – Identity, HDX
7	5523K	8	3/4 x 2-3/16 Machine Pin w/Cotter				
Item 9				26464 Removable Spring Assembly			
14	20757	4	Removable Spring Bar	17	20191	4	Removable Spring Disc
15	27406	4	Trip Spring	18	20181	4	1/4 x 1-1/4 Pin
16	40905	4	Shoulder Bolt w/Locknut				
Item 13				52588 Articulating Quadrant w/Fasteners			
		1	Quadrant	20	52595	1	1-14 x 2-3/4 G8 Square Bolt Kit
19	52638	1	3/4-10 x 2-3/4 G5 Fastener Kit				
		G = Grade				SS = Stainless Steel	
						ns = not shown	

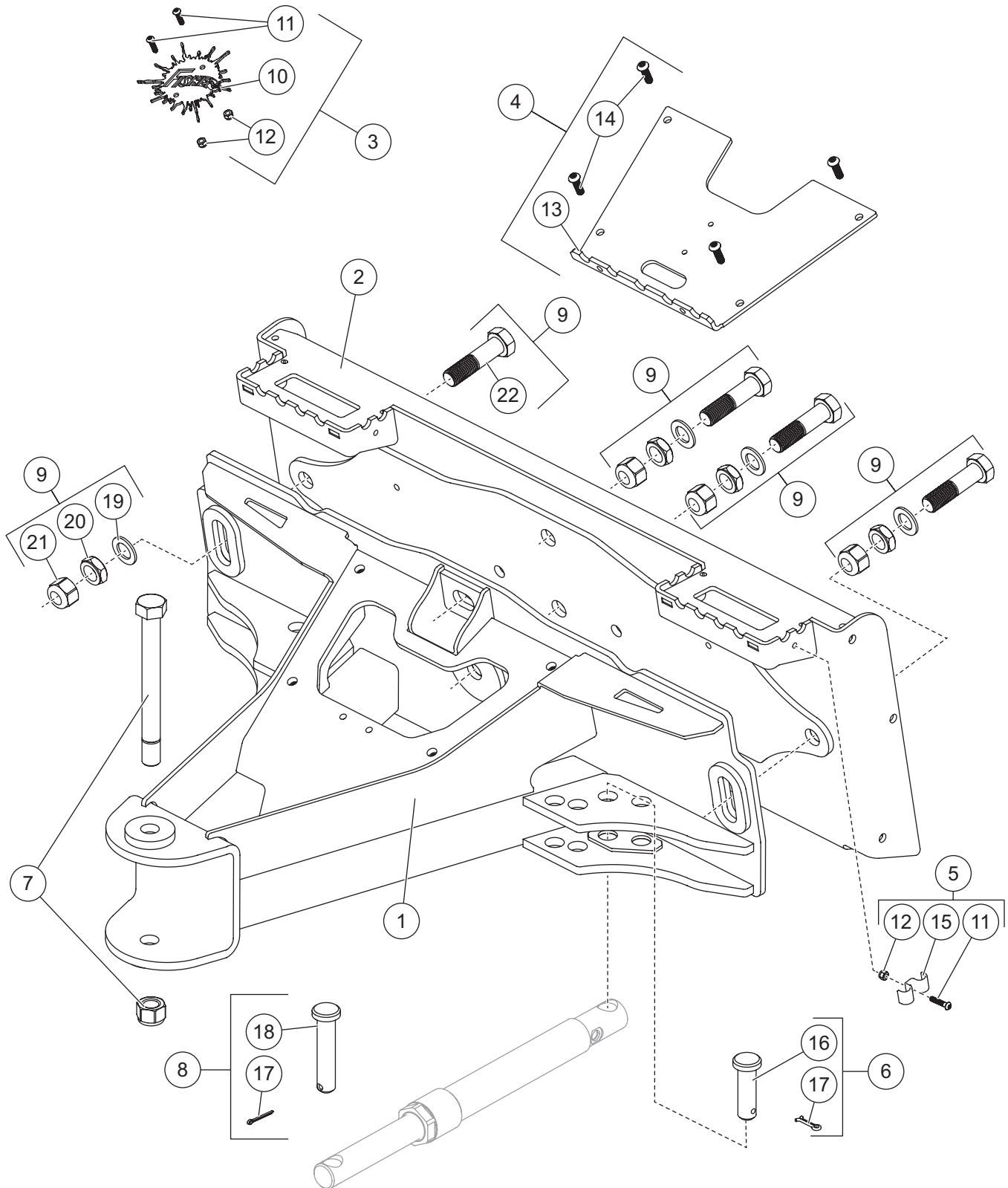
XRS™ Blade Components



90750, 90800, 90850, 90900, 93800, 77500, 93900, 97400

XRS™ Blade Components							
Item	Part	Qty	Description	Item	Part	Qty	Description
1	76775	1	XRS Blade w/Labels	12	50646	1	Blade Guide Bracket Kit
2	76773	1	Base Angle	13	76767	2	Wing Cut Edge Kit
3	76770	1	Wing – DS	14	42396	2	Hinge Pin Kit
4	76771	1	Wing – PS	15	76779	1	XRS Cutting Edge Kit
5	26211	1	Label – Identity, STORM GUARD™	16	42395	2	Bumper Kit
6	59900	1	Label – Warning/Caution, Snowplows	17	50665	4	Spring Assembly Kit
7	29593	2	Label – Warning, Multiple Pinch Points	18	76772	2	Spring Guide
8	5523K	6	3/4 x 2-3/16 Base Angle Pin	ns	86821	1	Label – Identity, XRS
9	76769	2	Spring Guide Pin Kit	ns	20238	1	Label – Logo, FISHER®
10	42725	2	Wing Spring	ns	42389	2	Cable Assembly w/Hardware (incl. items 27, 28, 29, 30, and 31)
11	27195	1	Flexible Blade Guide Kit				
Item 13				76767 Wing Cut Edge Kit			
19	76768	1	Wing Cut Edge Hardware Kit	21	76776	2	Wing Cutting Edge
20	76774	2	Retainer Bar XRS				
Item 17				50665 Spring Assembly Kit			
22	20191	4	Removable Spring Disc	25	90353	4	7/16-14 Hex Locknut GB
23	50664	4	Spring Bar	26	50663	4	Trip Spring
24	91000	4	1/2 x 1-5/8 Hex Shoulder Bolt G5				
42389 Cable Assembly w/Hardware							
27		2	Cable Assembly – Wing	30	B61343	2	3/4-10 Hex Nut
28	B61563	2	0.625 x 2.33 Clevis Pin	31	B61615	2	3/4-10 Hex Jam Nut
29	90601	2	1/4 x 1-1/2 Cotter Pin				
G = Grade				ns = not shown			

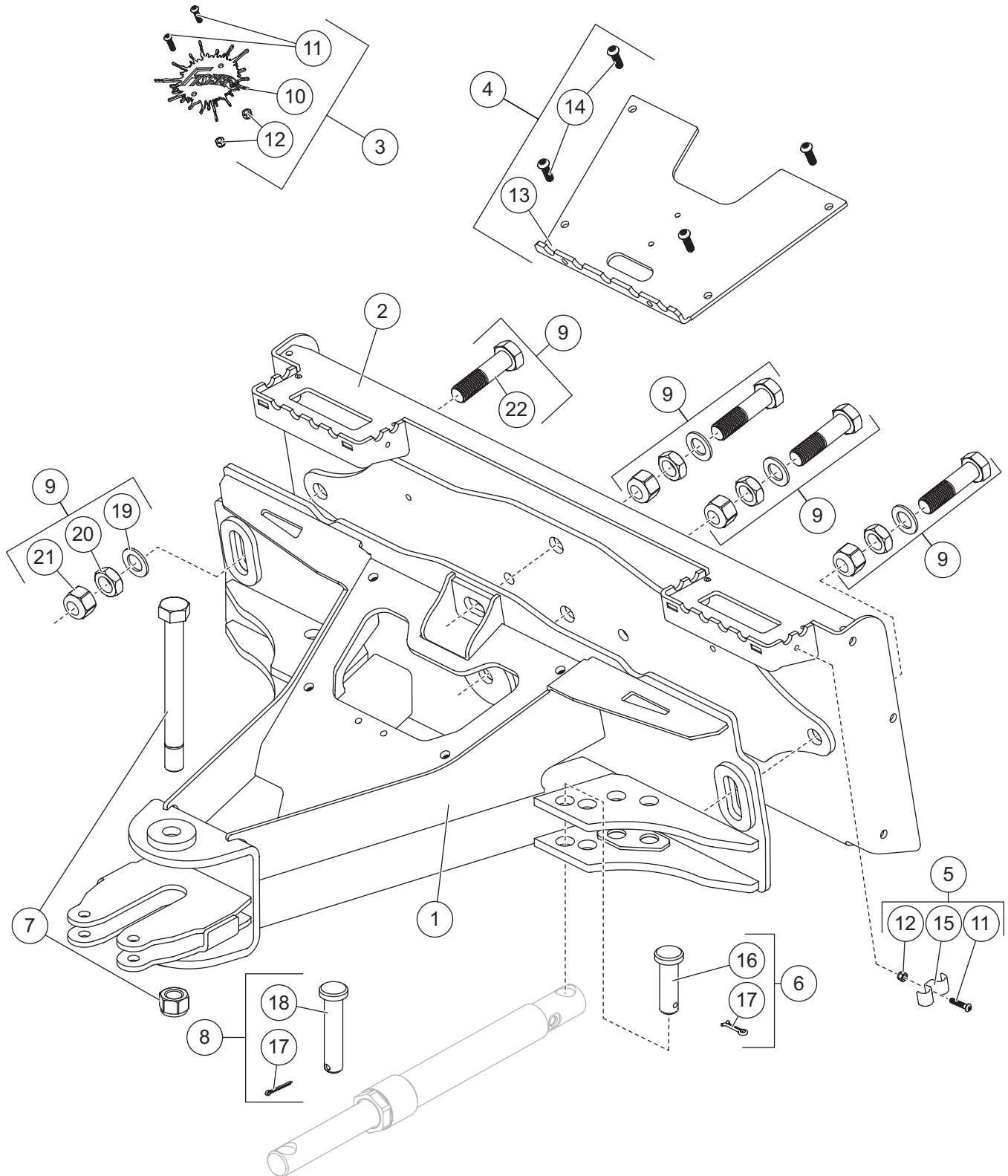
HD2™/HDX™ A-Frame Components



A-Frame Components							
Item	Part	Qty	Description	Item	Part	Qty	Description
1	96665	1	A-Frame HD2™/HDX™	6	7903K	2	Ram Pin Kit
2	96660	1	Universal Mount Kit	7	50668	1	1 x 9-1/2 Pivot Bolt Kit
3	83783	1	FISHER® Logo Plate Kit Osc Skid Steer	8	50673	2	Ram Pin Kit
4	83784	1	A-Frame Cover Kit Osc Skid Steer	9	83780	4	Universal Plate Bolt Kit
5	57890	1	Hose Clamp Kit	ns	57898	1	Label – Hydraulic Guide, Skid Steer
Item 3 83783 FISHER Logo Plate Kit Osc Skid Steer							
10		1	Logo Plate – Identity, FISHER	12		2	1/4-20 Hex Locknut
11		2	1/4-20 x 1 Button-Head Screw				
Item 4 83784 A-Frame Cover Kit Osc Skid Steer							
13		1	Step Plate	14		4	3/8-16 x 1-1/2 Button-Head Screw
Item 5 57890 Hose Clamp Kit							
11		1	1/4-20 x 1 Button-Head Screw	15		1	Double Hose Clamp
12		1	1/4-20 Hex Locknut				
Item 6 7903K Ram Pin Kit							
16		1	1 x 4 Clevis Pin	17		1	1/4 x 1-1/2 Cotter Pin
Item 8 50673 Ram Pin Kit							
17		1	1/4 x 1-1/2 Cotter Pin	18		1	1 x 4-3/4 Clevis Pin
Item 9 83780 Universal Plate Bolt Kit							
19		1	Flat Washer Special	21		1	1-8 Hex Locknut GB
20		1	Hex Jam Nut G5	22		1	1-8 x 4-1/4 Hex Cap Screw
G = Grade				ns = not shown			

For hydraulic relief manifold and fittings, see Hydraulic Components page.

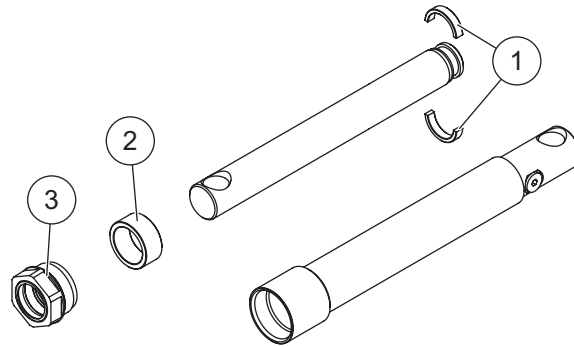
XRS™ A-Frame Components



A-Frame Components							
Item	Part	Qty	Description	Item	Part	Qty	Description
1	96666	1	A-Frame XRS™	6	7903K	2	Ram Pin Kit
2	96660	1	Universal Mount Kit	7	50668	1	1 x 9-1/2 Pivot Bolt Kit
3	83783	1	FISHER® Logo Plate Kit Osc Skid Steer	8	50673	2	Ram Pin Kit
4	83784	1	A-Frame Cover Kit Osc Skid Steer	9	83780	4	Universal Plate Bolt Kit
5	57890	1	Hose Clamp Kit	ns	57898	1	Label – Hydraulic Guide, Skid Steer
Item 3 83783 FISHER Logo Plate Kit Osc Skid Steer							
10		1	Logo Plate – Identity, FISHER	12		2	1/4-20 Hex Locknut
11		2	1/4-20 x 1 Button-Head Screw				
Item 4 83784 A-Frame Cover Kit Osc Skid Steer							
13		1	Step Plate	14		4	3/8-16 x 1-1/2 Button-Head Screw
Item 5 57890 Hose Clamp Kit							
11		1	1/4-20 x 1 Button-Head Screw	15		1	Double Hose Clamp
12		1	1/4-20 Hex Locknut				
Item 6 7903K Ram Pin Kit							
16		1	1 x 4 Clevis Pin	17		1	1/4 x 1-1/2 Cotter Pin
Item 8 50673 Ram Pin Kit							
17		1	1/4 x 1-1/2 Cotter Pin	18		1	1 x 4-3/4 Clevis Pin
Item 9 83780 Universal Plate Bolt Kit							
19		1	Flat Washer Special	21		1	1-8 Hex Locknut GB
20		1	Hex Jam Nut G5	22		1	1-8 x 4-1/4 Hex Cap Screw
G = Grade				ns = not shown			

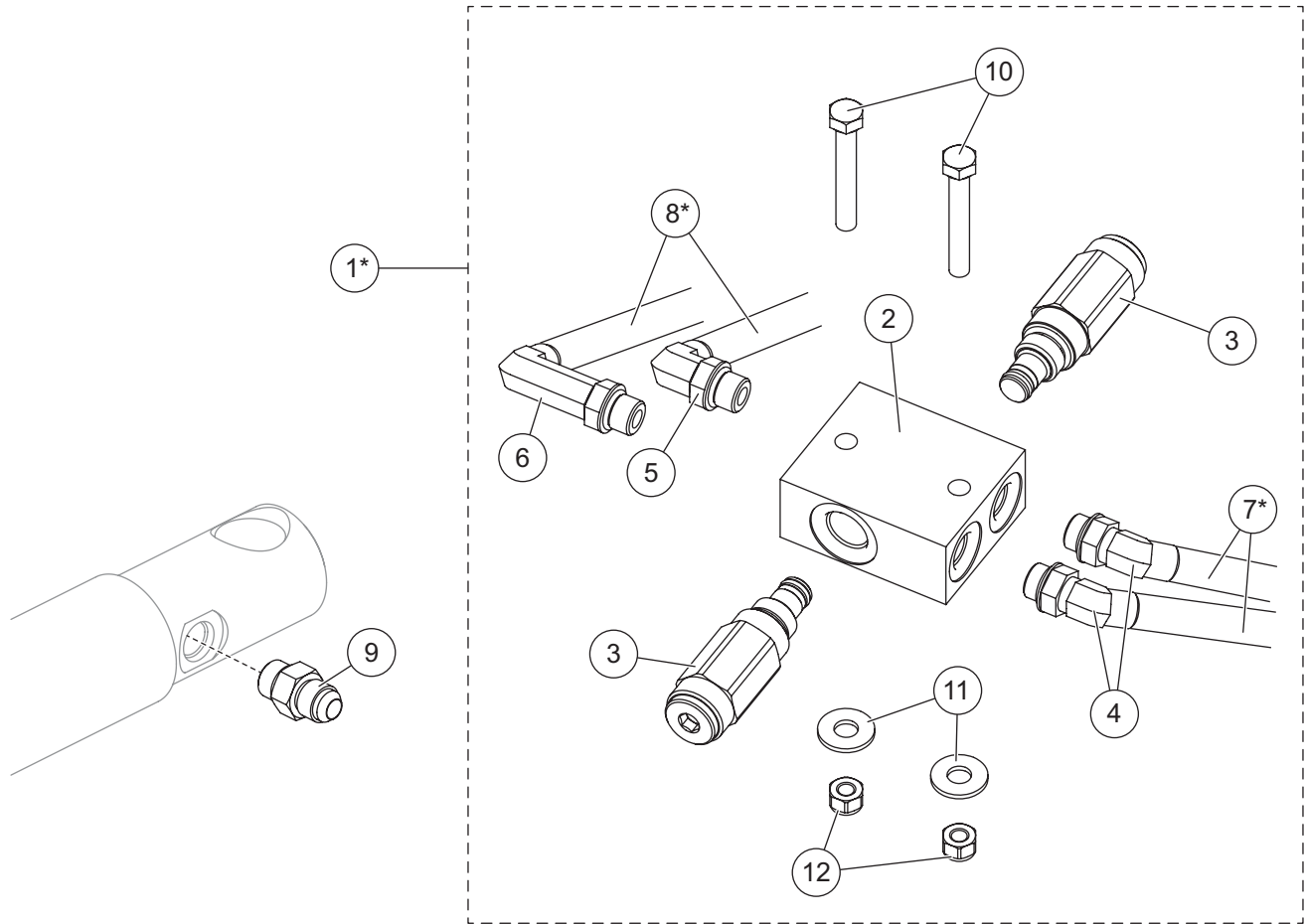
For hydraulic relief manifold and fittings, see Hydraulic Components page.

Angle Ram Components



49461 Angle Ram Assembly 1-1/2 x 10							
Item	Part	Qty	Description	Item	Part	Qty	Description
1	62290	2	Split Bearing Kit	3	29571	1	Gland Nut Assembly
2	56537	1	Spacer				

Hydraulic Components



Hydraulic Components							
Item	Part	Qty	Description	Item	Part	Qty	Description
1*	57982	1	Relief Manifold w/Valves, Fittings & Hardware	6	44361	1	Elbow, Extra Long 90° -6 M JIC/ -6 M ORB
2	57984	1	Relief Manifold	7*	57965	2	Hose, 3/8 x 84 w/F JIC Ends
3	57895	2	Relief Valve, 3300 psi	8*	44348	2	Hose, 3/8 x 42 w/F JIC Ends
4	57877	2	Elbow, Special 45° -6 M JIC/ -6 M ORB	9	49526	2	Connector, Short -6 M JIC/-6 M ORB
5	56725	1	Elbow, 90° -6 M JIC/-6 M ORB	ns	57983	1	Hardware Bag
				ns	57893	1	1/2 Coupler Set (accessory only)
57983 Hardware Bag							
		2	5/16-18 x 2-1/4 Hex Cap Screw G5	12		2	5/16-18 Hex Locknut
		2	5/16 Flat Washer				
F = Female		M = Male		ns = not shown		G = Grade	

* Hoses not included in item 1.



Fisher Engineering
50 Gordon Drive
Rockland, ME 04841-2139
www.fisherplows.com

A DIVISION OF FISHER, LLC

Copyright © 2019 Douglas Dynamics, LLC. All rights reserved. This material may not be reproduced or copied, in whole or in part, in any printed, mechanical, electronic, film, or other distribution and storage media, without the written consent of Fisher Engineering. Authorization to photocopy items for internal or personal use by Fisher Engineering outlets or snowplow owner is granted.

Fisher Engineering reserves the right under its product improvement policy to change construction or design details and furnish equipment when so altered without reference to illustrations or specifications used. Fisher Engineering or the vehicle manufacturer may require or recommend optional equipment for snow removal. Do not exceed vehicle ratings with a snowplow. Fisher Engineering offers a limited warranty for all snowplows and accessories. See separately printed page for this important information. The following are registered (®) or unregistered (™) trademarks of Douglas Dynamics, LLC: FISHER®, HD2™, HDX™, SnoFoil®, STORM GUARD™, XRS™.

Printed in U.S.A.