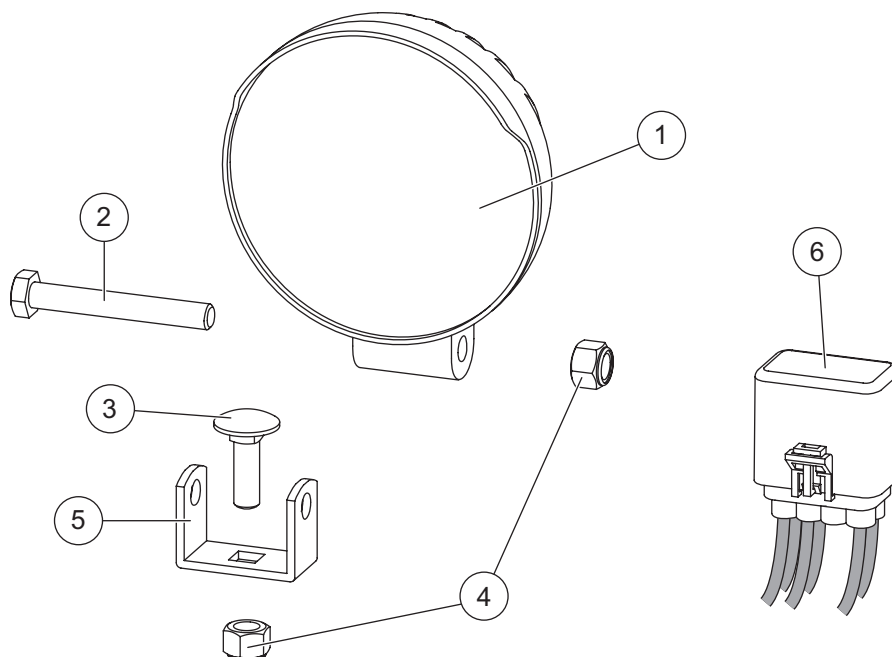


Accessory Work Light Kit

Single-Stage and 2-Stage Tailgate Spreaders

PARTS LIST



52424 Accessory Work Light Kit						
Item	Part	Qty	Description	Item	Part	Qty Description
1	78377	1	LED Work Light	6	78381	1 Harness & Relay/Fuse Assembly*
2		1	5/16-18 x 2 Hex Cap Screw	ns	78392	1 Harness Assembly – 30"
3		1	5/16-18 x 1.25 Carriage Bolt	ns		6 Cable Tie – 15"
4		2	5/16-18 Locknut	ns	D6467-1	1 1/4 x 3/4 x 1/2 Retainer (pkg of 6)
5		1	Mounting Clip			

ns = not shown

* Harness not shown.

⚠ WARNING

Do not exceed GVWR or GAWR ratings as found on the driver-side vehicle door cornerpost.

⚠ CAUTION

Use standard methods and practices when attaching spreader and installing accessories, including proper personal protective safety equipment.

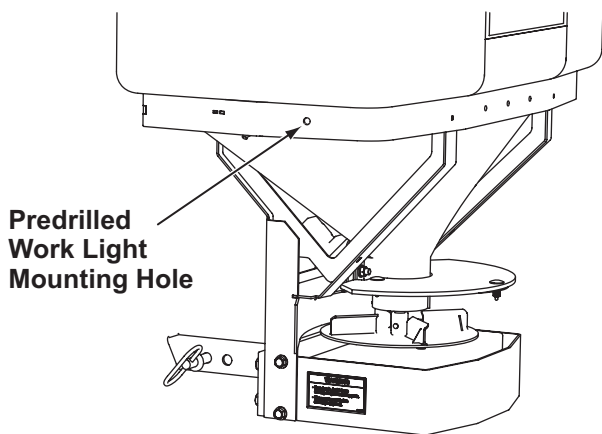
⚠ CAUTION

Read this document before installing the primary work light.

INSTALLATION INSTRUCTIONS

1. Park the vehicle on a smooth, level, hard surface, such as concrete. Turn the vehicle ignition to the "OFF" position and remove the key.
2. The illustration shows the work light being mounted to the side of the tailgate frame using a predrilled hole. To install the work light in a different location, drill a 13/32" hole in the desired location.

Install the mounting clip in the mounting hole using the supplied 5/16" x 1.25" carriage bolt and 5/16" locknut.



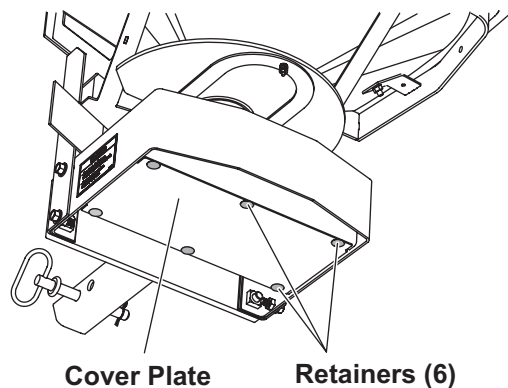
3. Install the work light to the mounting clip using the 5/16" x 2" cap screw and 5/16" locknut, but do not fully tighten the fasteners.
4. Aim the light in the desired direction, then fully tighten all locknuts.

Install the Electrical Harness

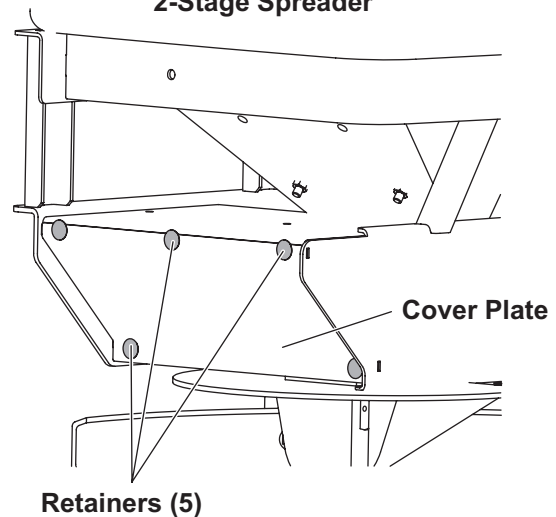
The work light relay/fuse assembly will be installed to the existing electrical enclosure.

1. Remove the retainers and module/motor cover plate on the bottom of the frame. Retain the cover plate for reinstallation later.

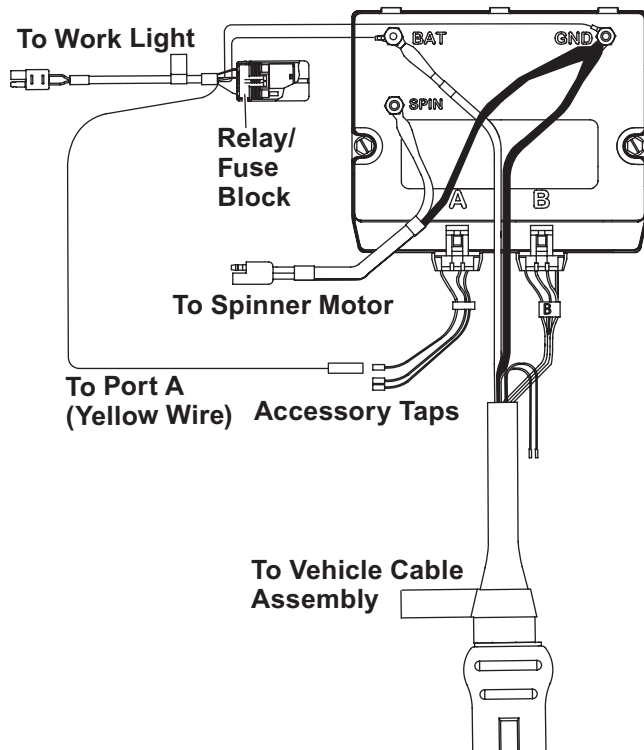
Single-Stage Spreader



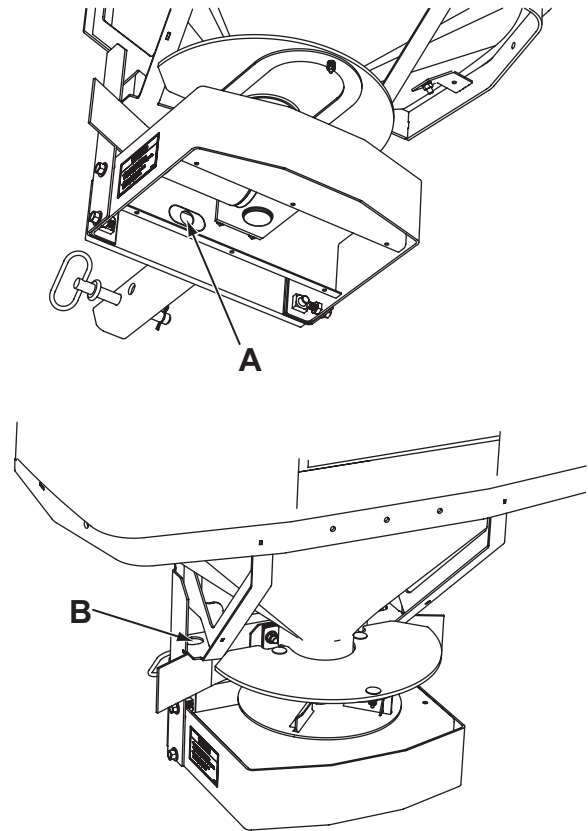
2-Stage Spreader



2. Connect the relay/fuse harness to the module:
 - a. Red POSITIVE wire to the "BATT" terminal.
 - b. Black NEGATIVE wire to the "GND" terminal.
 - c. Yellow Port A to gray accessory tap on the Port A harness.



3. Route the 2-pin connector end of the harness through the hole in the back of the motor/module enclosure (A), then up through the hole in the horizontal support plate behind the deflector (B).



4. Connect the harness to the work light using the 2-pin connectors. Secure the harness to the frame using the supplied cable ties.
5. Reattach the module/motor cover plate to the frame using the new supplied retainers.

Usage/Testing

1. Reinstall the spreader onto the vehicle and connect the power harness.
2. With work light installed, "LIGHT" will illuminate on the spreader's cab control when the control is turned ON.
3. The work light may be used with the spinner function on or off.
4. The work light can be turned on or off by pressing the button underneath the word LIGHT on the control. The button will illuminate when the work light is ON and will not illuminate when the work light is OFF.

Copyright © 2016 Douglas Dynamics, LLC. All rights reserved. This material may not be reproduced or copied, in whole or in part, in any printed, mechanical, electronic, film or other distribution and storage media, without the written consent of the company. Authorization to photocopy items for internal or personal use by the company's outlets or spreader owner is granted.

The company reserves the right under its product improvement policy to change construction or design details and furnish equipment when so altered without reference to illustrations or specifications used. This equipment manufacturer or the vehicle manufacturer may require or recommend optional equipment for spreaders. Do not exceed vehicle ratings with a spreader. The company offers a limited warranty for all spreaders and accessories. See separately printed page for this important information.

Printed in U.S.A.