

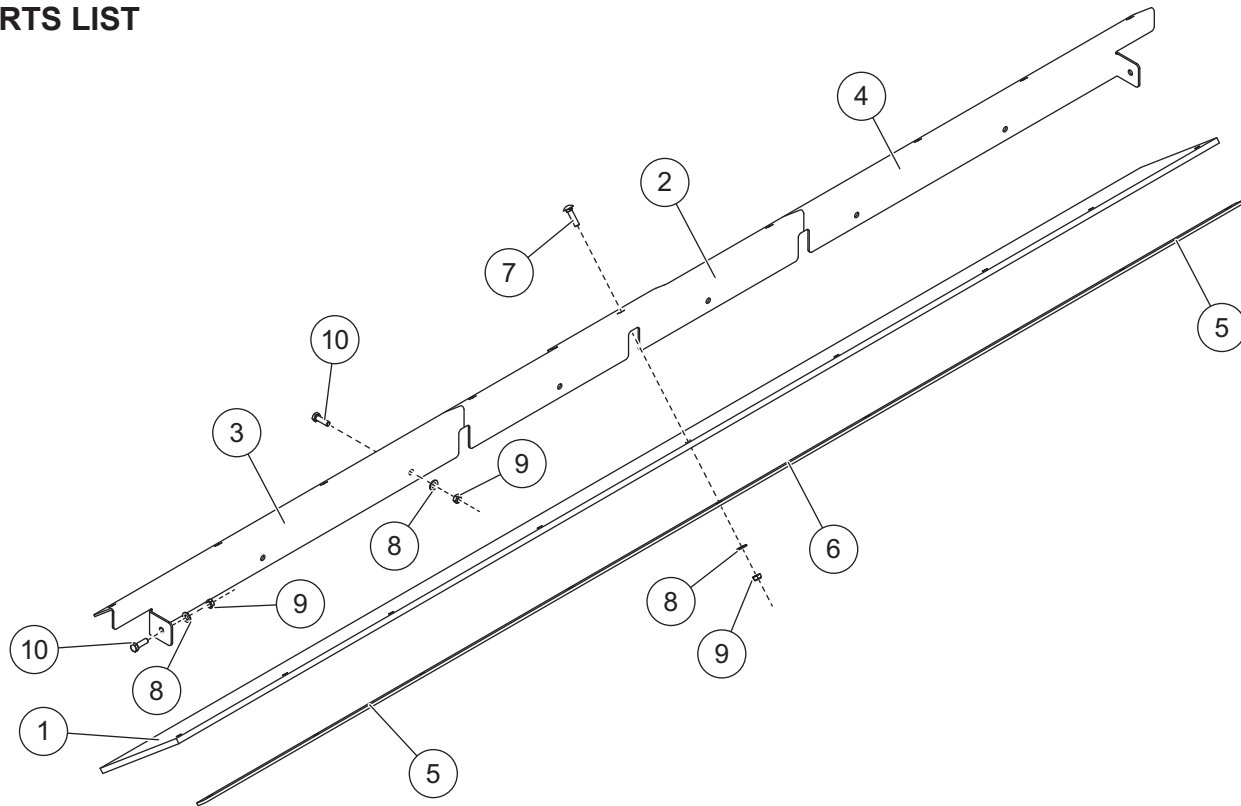


Western Products
 PO Box 245038
 Milwaukee, WI 53224-9538
 www.westernplows.com

dd A DIVISION OF DOUGLAS DYNAMICS, LLC

52280-1 / 81989
WIDE-OUT™ Blades
RUBBER DEFLECTOR KIT
 Parts List & Installation Instructions

PARTS LIST



52280-1 Rubber Deflector Kit – WIDE-OUT 810							
Item	Part	Qty	Description	Item	Part	Qty	Description
1	50680	1	Rubber Deflector – 810	5	B61658	2	Mount Strip, End – 810
2	50681-1	1	Mount Angle, Center	6	B61659	1	Mount Strip, Center
3	B61652-1	1	Mount Angle, DS – 810	ns	B61379	1	Bolt Bag
4	B61654-1	1	Mount Angle, PS – 810				
B61379 Bolt Bag							
7		9	5/16-18 x 1-1/4 Carriage Bolt	9		17	5/16-18 Hex Locknut GB
8		17	5/16 Hardened Flat Washer	10		8	5/16-18 x 1 Hex Cap Screw G5
ns = not shown				G = Grade			

81989 Rubber Deflector Kit – WIDE-OUT XL 8611							
Item	Part	Qty	Description	Item	Part	Qty	Description
1	81102	1	Rubber Deflector – XL 8611	5	81126	2	Mount Strip, End – XL 8611
2	50681-1	1	Mount Angle, Center	6	B61659	1	Mount Strip, Center
3	80256	1	Mount Angle, DS – XL 8611	ns	B61379	1	Bolt Bag
4	80257	1	Mount Angle, PS – XL 8611				
B61379 Bolt Bag							
7		9	5/16-18 x 1-1/4 Carriage Bolt	9		17	5/16-18 Hex Locknut GB
8		17	5/16 Hardened Flat Washer	10		8	5/16-18 x 1 Hex Cap Screw G5
ns = not shown				G = Grade			

52280-1 / 81989 RUBBER DEFLECTOR KIT

INSTALLATION INSTRUCTIONS

⚠ WARNING

Do not exceed GVWR or GAWR, including blade and ballast. The rating label is found on the driver-side vehicle door cornerpost.

⚠ CAUTION

Read this document before installing the Rubber Deflector Kit.

⚠ CAUTION

Use standard methods and practices when attaching snowplow and installing accessories, including proper personal protective safety equipment.

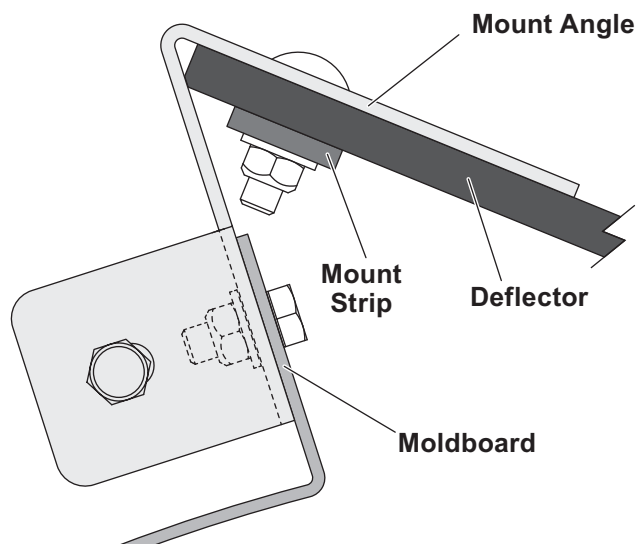
⚠ CAUTION

See your WESTERN® outlet/website for specific vehicle application recommendations before installation. The Quick Match selection system has specific vehicle and snowplow requirements.

1. Park the vehicle on a smooth, level, hard surface, such as concrete. Lower the blade to the ground, and turn the control OFF. Disconnect the snowplow from the vehicle, or turn the vehicle ignition to the "OFF" position and remove the key.
2. Position the mount angles on the logo side of the deflector and the mount strips on the opposite side of the rubber deflector. Attach the mount strips and mount angles to the deflector using the supplied 5/16" x 1-1/4" carriage bolts, 5/16" washers, and 5/16" locknuts. Finger tighten the fasteners until the mount strips and mount angles are snug against the deflector.

NOTE: Each mount angle should be aligned with and butted up against the end of the other mount angles.

3. Position the assembled deflector against the inside, top angle of the moldboard. Align the notches in the mount angles with the center support ribs on the blade. Both bent tabs' holes should align with the holes of the support rib on each end. Clamp the mount angles into place on the blade.
4. Using the holes in the mount angles as guides, drill eight 3/8" holes in the moldboard and ribs.
5. Attach assembled deflector to the blade using the supplied 5/16" x 1" cap screws, 5/16" washers, and 5/16" locknuts. Tighten fasteners to 18 ft-lb.
6. Tighten the fasteners securing the mount strips and mount angles to the deflector (from Step 2) until the mount strips and mount angles are tight against the deflector.



Copyright © 2018 Douglas Dynamics, LLC. All rights reserved. This material may not be reproduced or copied, in whole or in part, in any printed, mechanical, electronic, film, or other distribution and storage media, without the written consent of Western Products. Authorization to photocopy items for internal or personal use by Western Products outlets or snowplow owner is granted.

Western Products reserves the right under its product improvement policy to change construction or design details and furnish equipment when so altered without reference to illustrations or specifications used. Western Products or the vehicle manufacturer may require or recommend optional equipment for snow removal. Do not exceed vehicle ratings with a snowplow. Western Products offers a limited warranty for all snowplows and accessories. See separately printed page for this important information. The following are registered (®) or unregistered (™) trademarks of Douglas Dynamics, LLC: UltraMount® 2, WESTERN®, WIDE-OUT™.

Printed in U.S.A.