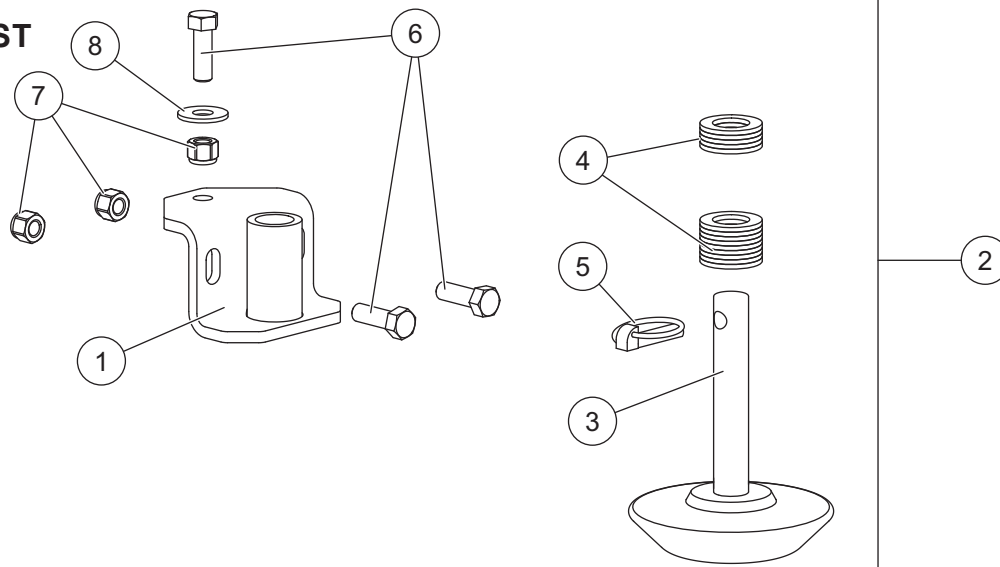


# Shoe Assembly Kit

## PARTS LIST



83845 Shoe Assembly Kit							
Item	Part	Qty	Description	Item	Part	Qty	Description
1	84736	2	Shoe Bracket	4	91192	28	Round Flat Washer, Special
2	83844	2	Disc Shoe Assembly	5	93010	2	7/16 x 1-3/4 Linchpin
3	53596	2	Disc Shoe	ns	84732	1	Bolt Bag
Item 2				83844 Disc Shoe Assembly			
3	53596	1	Disc Shoe	5	93010	1	7/16 x 1-3/4 Linchpin
4	91192	14	Round Flat Washer, Special				
84732 Bolt Bag							
6		6	1/2-13 x 1-1/2 Hex Cap Screw G5	8		2	1/2 Flat Washer, Wide
7		6	1/2-13 Hex Locknut GB				
ns = not shown				G = Grade			

### ⚠ WARNING

Do not exceed GVWR or GAWR, including blade and ballast. The rating label is found on the driver-side vehicle door cornerpost.

### ⚠ CAUTION

Use standard methods and practices when attaching snowplow and installing accessories, including proper personal protective safety equipment.

### ⚠ CAUTION

Read this document before installing the shoe assembly kit.

### ⚠ CAUTION

See your sales outlet/website for specific vehicle application recommendations before installation. The online selection system has specific vehicle and snowplow requirements.

### INSTALLATION INSTRUCTIONS

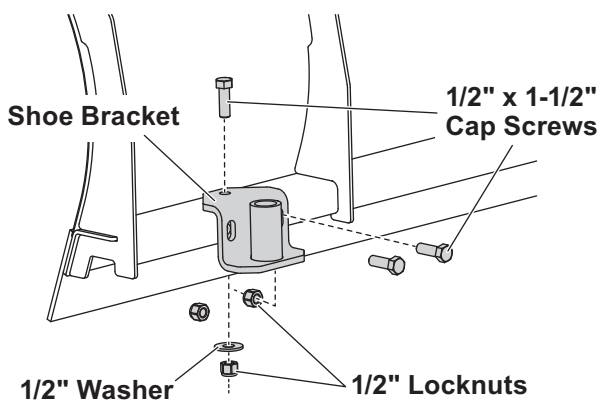
#### ⚠ WARNING

The driver shall keep bystanders clear of the blade when it is being raised, lowered, or angled. Do not stand between the vehicle and the blade or within 8 feet of a moving blade. A moving or falling blade could cause personal injury.

#### ⚠ WARNING

Blade can drop unexpectedly. Place blade on jack stands. Failure to do so could result in serious personal injury.

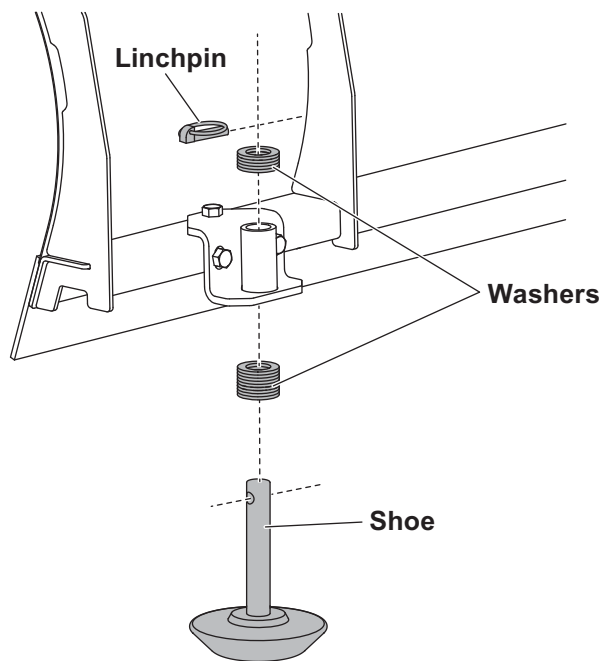
1. Park the vehicle on a smooth, level, hard surface, such as concrete. Raise the blade, then turn the control OFF.
2. From the front of the blade assembly, place jack stands under the blade.
3. Turn the control ON and lower the blade so that the blade rests securely on the jack stands. Turn the control OFF. Turn the vehicle ignition to the "OFF" position and remove the key.
4. Position the shoe brackets to the blade base channel as shown below. Align the holes in the shoe bracket with the holes in the base channel.



5. Loosely assemble each shoe bracket with two 1/2" x 1-1/2" cap screws and 1/2" locknuts through the back of the bracket and base channel, and one 1/2" x 1-1/2" cap screw, 1/2" washer, and 1/2" locknut through the top hole in the bracket and base channel. Torque fasteners to 75 ft-lb.
6. Turn the vehicle ignition and snowplow control ON. Raise the blade slightly. Turn the control OFF and remove the jack stands.
7. Stand 8 feet clear of the blade, and lower the blade to the ground.

### DISC SHOE ADJUSTMENT

1. Changing the number of washers above or below the shoe bracket adjusts the cutting edge height and pressure.
2. Adjust the disc shoes by placing nine washers on the bottom of the shoe bracket and five washers on top. Final adjustment is made with the snowplow attached to the vehicle.



Copyright © 2020 Douglas Dynamics, LLC. All rights reserved. This material may not be reproduced or copied, in whole or in part, in any printed, mechanical, electronic, film, or other distribution and storage media, without the written consent of the company. Authorization to photocopy items for internal or personal use by the company's outlets or snowplow owner is granted.

The company reserves the right under its product improvement policy to change construction or design details and furnish equipment when so altered without reference to illustrations or specifications used. This equipment manufacturer or the vehicle manufacturer may require or recommend optional equipment for snow removal. Do not exceed vehicle ratings with a snowplow. The company offers a limited warranty for all snowplows and accessories. See separately printed page for this important information.