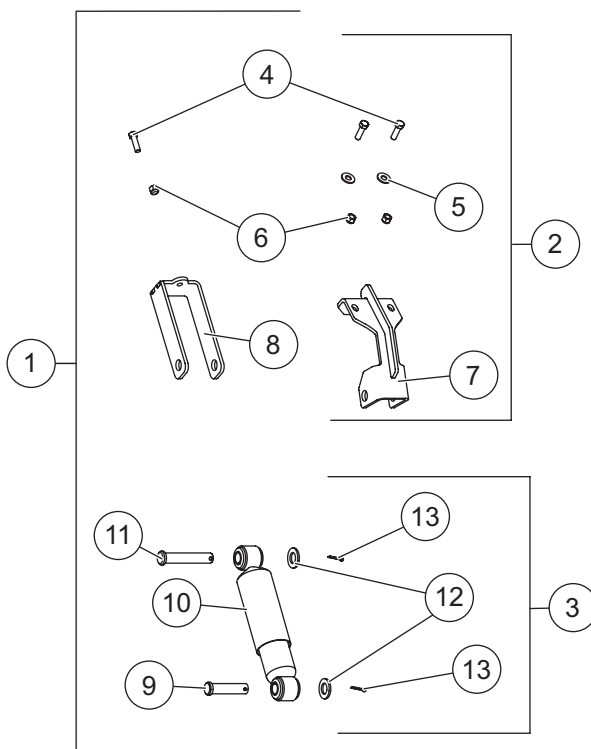




# Shock Absorber Kit

## Heavy Duty Snowplows (77720-1, 77725-1, 77730-1, 77735-1)

PARTS LIST



84563 HD Shock Absorber Kit							
Item	Part	Qty	Description	Item	Part	Qty	Description
1	84703	2	HD Single Shock w/ Bracket	3	84689	2	Shock and Pin Kit
2	84699	2	Shock Bracket Kit				
84699 Shock Bracket Kit							
4		3	3/8-16 x 1-1/4 Hex Cap Screw G5	7		1	Shock Bracket
5		2	3/8 Flat Washer	8		1	Shock Clevis
6		3	3/8-16 Locknut				
84689 Shock and Pin Kit							
9		1	3/4 x 3 Clevis Pin HT	12		2	3/4 Flat Washer
10		1	Shock Absorber	13		2	5/32 x 1-1/2 Cotter Pin
11		1	3/4 x 4 Clevis Pin				
G = Grade				HT = Heat Treated			

**⚠ WARNING**

Do not exceed GVWR or GAWR, including blade and ballast. The rating label is found on the driver-side vehicle door cornerpost.

**⚠ CAUTION**

Read this document before installing the shock absorber kit.

**⚠ CAUTION**

Use standard methods and practices when attaching snowplow and installing accessories, including proper personal protective safety equipment.

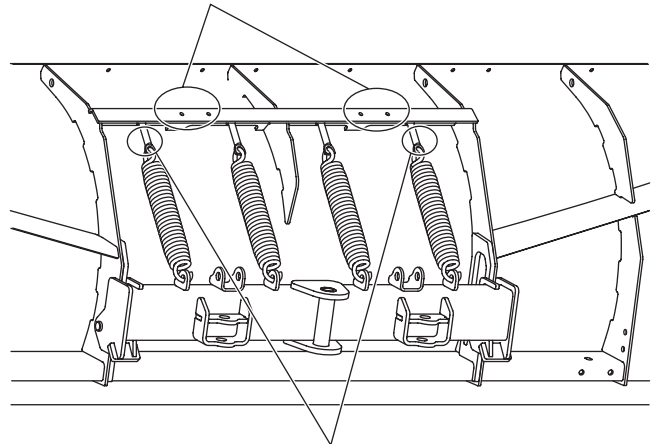
**⚠ CAUTION**

See your SnowEx® outlet/website for specific vehicle application recommendations before installation. The Power Match selection system has specific vehicle and snowplow requirements.

**INSTALLATION INSTRUCTIONS**

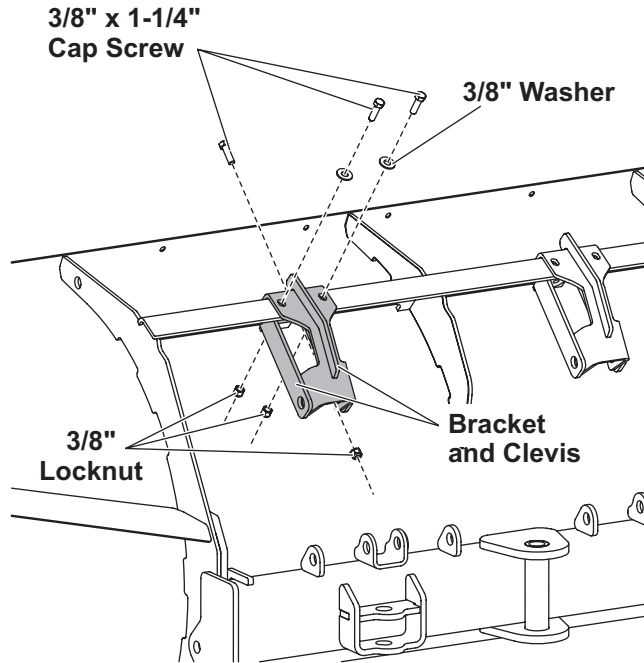
1. Park the vehicle on a smooth, level, hard surface, such as concrete. Lower the blade to the ground, and turn the control OFF. Disconnect the snowplow from the vehicle, or turn the vehicle ignition to the "OFF" position and remove the key.
2. The shock brackets will be installed between the trip springs on each side of the blade. Loosen the spade bolts on the two outermost trip springs so they can be moved outward during shock absorber installation.

**Shock Bracket Mounting Holes**



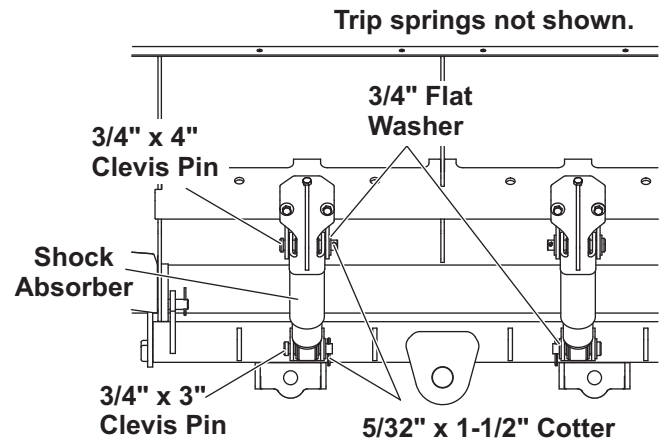
**Loosen spade bolts on outermost trip springs.**

- Fit one shock bracket and corresponding clevis to the spring bar as shown. Install the bracket and clevis to the spring bar using three 3/8" x 1-1/4" cap screws, two 3/8" flat washers, and three 3/8" locknuts. Repeat with other bracket and clevis. The hardware should be finger tight.



Trip springs not shown.

- Position a shock absorber within one of the installed brackets. Install the upper end of the shock absorber to the clevis using a 3/4" x 4" clevis pin, 3/4" flat washer, and 5/32" cotter pin. Install the lower end to the bracket and clevis using a 3/4" x 3" clevis pin, flat washer, and cotter pin. Repeat for the other shock absorber.



#### ⚠ CAUTION

Overtightening springs will not increase blade trip force and can damage the springs.

- Tighten the bracket fasteners to 31 ft-lb.
- Tighten the spade bolts for the trip springs that were loosened in step two.
- Adjust the trip springs tension by retightening the spade bolt nuts until the coils of the springs begin to separate (a piece of paper such as this instruction sheet should pass between the second and third coils).

Copyright © 2016 Douglas Dynamics, LLC. All rights reserved. This material may not be reproduced or copied, in whole or in part, in any printed, mechanical, electronic, film or other distribution and storage media, without the written consent of TrynEx International, LLC. Authorization to photocopy items for internal or personal use by TrynEx International, LLC outlets or snowplow owner is granted.

TrynEx International, LLC reserves the right under its product improvement policy to change construction or design details and furnish equipment when so altered without reference to illustrations or specifications used. TrynEx International, LLC or the vehicle manufacturer may require or recommend optional equipment for snow removal. Do not exceed vehicle ratings with a snowplow. TrynEx International, LLC offers a limited warranty for all snowplows and accessories. See separately printed page for this important information. The following are registered (®) or unregistered (™) trademarks of Douglas Dynamics, LLC: SnowEx®.

---

Printed in U.S.A.