



TrynEx International, LLC, 531 Ajax Drive, Madison Heights, MI 48071-2429 • www.snowexproducts.com

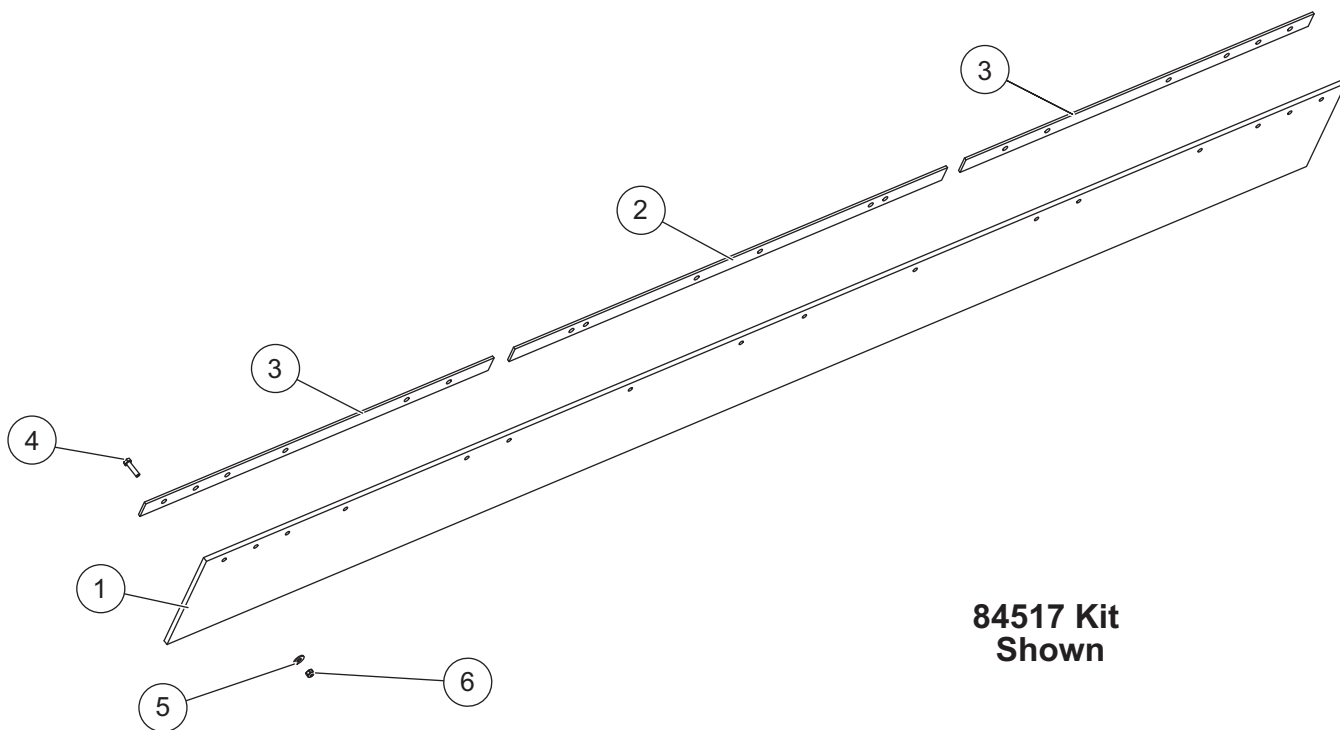
84514  
84517, 84524

January 15, 2021  
Lit. No. 84535 Rev. 04

# Rubber Deflector Kit

## RD, HD, & LT Straight Blade Snowplows

### PARTS LIST



84517 Kit  
Shown

84514/84517/84524 Rubber Deflector Kits					
Item	Qty	Description	84514	84517	84524
			7'6" Blades	8', 8'6" & 9' Blades	6'8" & 7'2" Blades
1	1	Rubber Deflector	84534	84537	84544
2	1	Retainer Bar – Center	64802	64802	84542
3	2	Retainer Bar – Outside	69252	64801	84541
ns	1	Bolt Bag	84673		

ns = not shown

84673 Bolt Bag							
Item	Part	Qty	Description	Item	Part	Qty	Description
4		12	5/16-18 x 1-1/4 Hex Cap Screw G5	6		12	5/16-18 Hex Locknut GB
5		12	5/16 Flat Washer				

G = Grade

84514, 84517, 84524

### INSTALLATION INSTRUCTIONS

**⚠ WARNING**

Do not exceed GVWR or GAWR, including blade and ballast. The rating label is found on the driver-side vehicle door cornerpost.

**⚠ CAUTION**

Read this document before installing the rubber deflector kit.

**⚠ CAUTION**

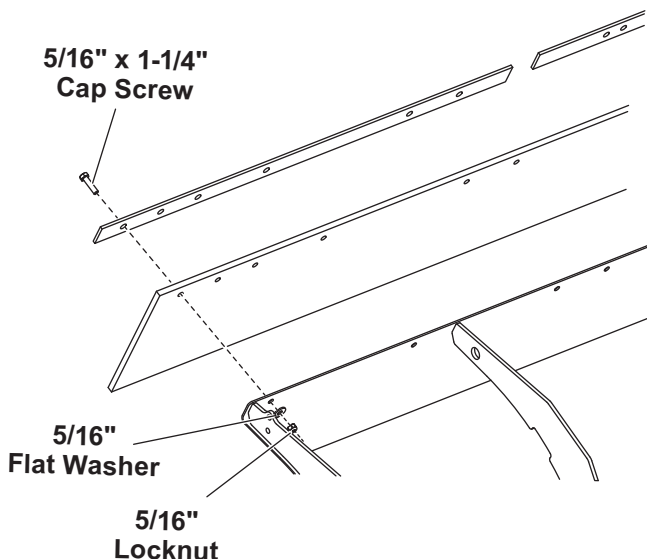
Use standard methods and practices when attaching snowplow and installing accessories, including proper personal protective safety equipment.

**⚠ CAUTION**

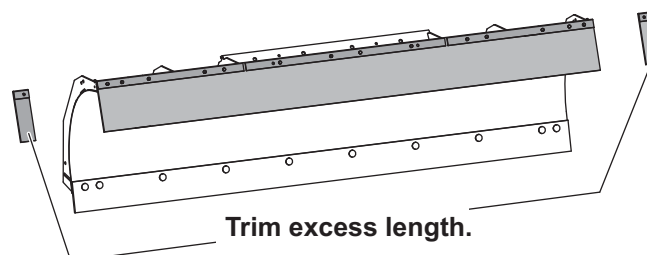
See your SnowEx® outlet/website for specific vehicle application recommendations before installation. The Power Match selection system has specific vehicle and snowplow requirements.

1. Park the vehicle on a smooth, level, hard surface, such as concrete. Turn the vehicle ignition to the "OFF" position and remove the key.

2. Align the deflector on the blade, matching the holes in the deflector with the holes in the moldboard.



3. On 6'8", 8', and 8'6" blades, the deflector extends beyond the ends of the blade. Trim excess length from both ends of deflector and retainer bars as shown.



4. Attach the retainer bars and deflectors to the blade using the supplied 5/16" x 1-1/4" cap screws, 5/16" washers, and 5/16" locknuts. Tighten the fasteners until the retainer bars are tight against the deflector.
5. Touch up the paint on the ends of the retainer bars, using SnowEx® black enamel touch-up paint (not included).

Copyright © 2021 Douglas Dynamics, LLC. All rights reserved. This material may not be reproduced or copied, in whole or in part, in any printed, mechanical, electronic, film, or other distribution and storage media, without the written consent of TrynEx International, LLC. Authorization to photocopy items for internal or personal use by TrynEx International outlets or snowplow owner is granted.

TrynEx International reserves the right under its product improvement policy to change construction or design details and furnish equipment when so altered without reference to illustrations or specifications used. TrynEx International or the vehicle manufacturer may require or recommend optional equipment for snow removal. Do not exceed vehicle ratings with a snowplow. TrynEx International offers a limited warranty for all snowplows and accessories. See separately printed page for this important information. The following is a registered (®) trademark of Douglas Dynamics, LLC: SnowEx®.

Printed in U.S.A.