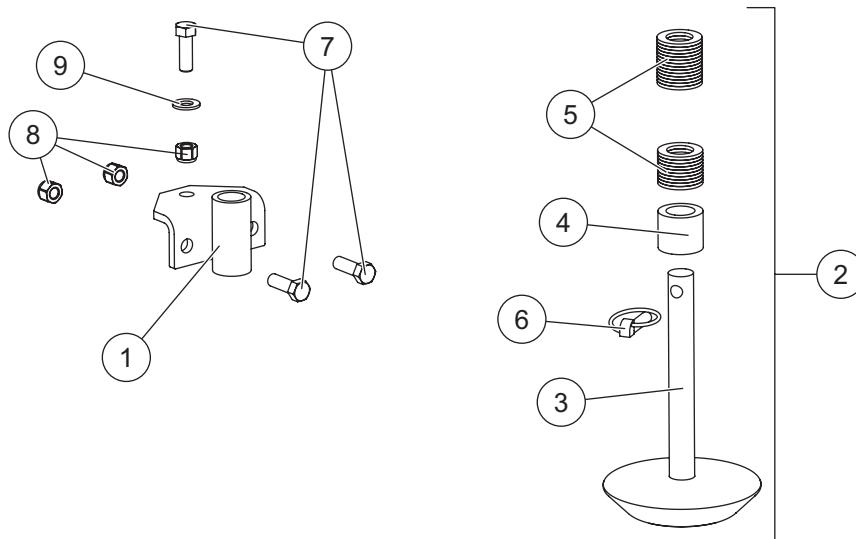




# Shoe Assembly Kit

## HD, RD and LT Series Snowplows

**PARTS LIST**



| 84506 Shoe Assembly Kit |       |     |                                 |           |       |     |                            |
|-------------------------|-------|-----|---------------------------------|-----------|-------|-----|----------------------------|
| Item                    | Part  | Qty | Description                     | Item      | Part  | Qty | Description                |
| 1                       | 84736 | 2   | Shoe Bracket                    | 5         | 91192 | 52  | Round Flat Washer, Special |
| 2                       | 42301 | 2   | Disc Shoe Assembly              | 6         | 93010 | 2   | 7/16 x 1-3/4 Linchpin      |
| 3                       | 60217 | 2   | Disc Shoe                       | ns        | 84732 | 1   | Bolt Bag                   |
| 4                       | 60045 | 2   | Spacer                          |           |       |     |                            |
| 84732 Bolt Bag          |       |     |                                 |           |       |     |                            |
| 7                       |       | 6   | 1/2-13 x 1-1/2 Hex Cap Screw G5 | 9         |       | 2   | 1/2 Flat Washer, Wide      |
| 8                       |       | 6   | 1/2-13 Hex Locknut GB           |           |       |     |                            |
| ns = not shown          |       |     |                                 | G = Grade |       |     |                            |

**⚠ WARNING**  
Do not exceed GVWR or GAWR, including blade and ballast. The rating label is found on the driver-side vehicle door cornerpost.

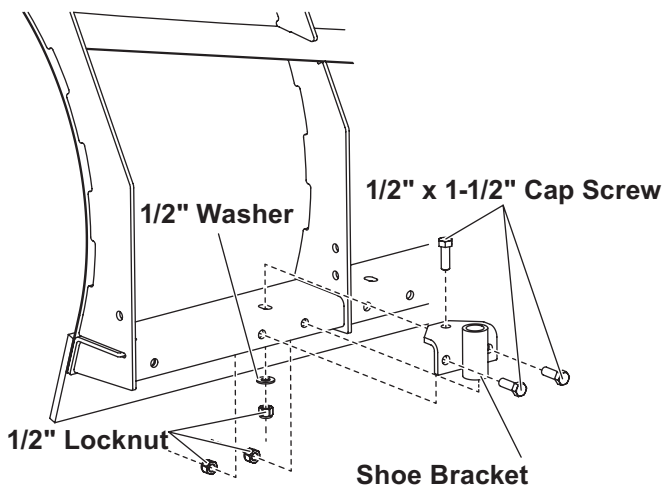
**⚠ CAUTION**  
Use standard methods and practices when attaching snowplow and installing accessories, including proper personal protective safety equipment.

**⚠ CAUTION**  
Read this document before installing the shoe kit.

**⚠ CAUTION**  
See your SnowEx® outlet/website for specific vehicle application recommendations before installation. The Power Match selection system has specific vehicle and snowplow requirements.

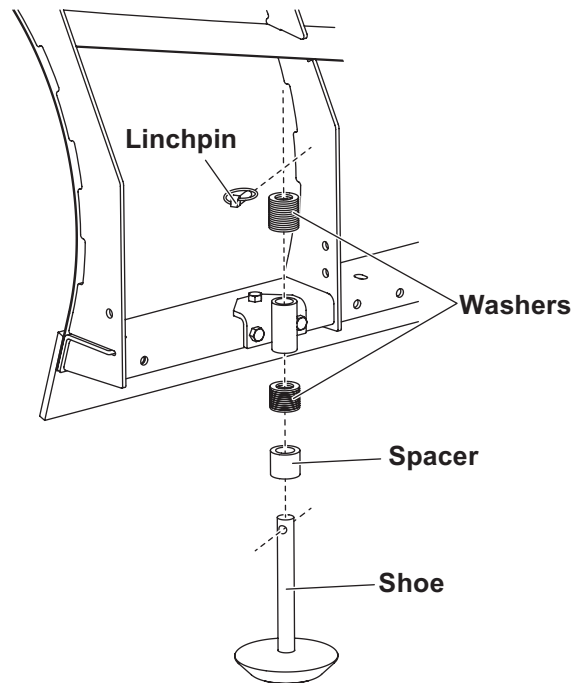
## INSTALLATION INSTRUCTIONS

1. Park the vehicle on a smooth, level, hard surface, such as concrete. Raise the blade, then turn the control OFF.
2. From the front of the blade assembly, place jack stands under the blade.
3. Turn the control ON and lower the blade so the blade rests securely on the jack stands. Turn the control OFF. Turn the vehicle ignition to the "OFF" position and remove the key.
4. Position the shoe bracket to the blade base channel as shown. Align holes in shoe bracket with holes in base channel.
5. Loosely assemble each shoe bracket with two 1/2" x 1-1/2" cap screws and 1/2" locknuts through back of bracket and base channel, and one 1/2" x 1-1/2" cap screw, 1/2" washer and 1/2" locknut through the top hole in bracket and base channel. Torque fasteners to 75 ft-lbs.



## DISC SHOE ADJUSTMENT

1. Changing the number of washers above or below the shoe bracket adjusts cutting edge height and pressure.
2. Adjust disc shoes by placing spacer and 10 washers on bottom of shoe bracket and 14 washers on top. Final adjustment is made with plow attached to vehicle.



Copyright © 2016 Douglas Dynamics, LLC. All rights reserved. This material may not be reproduced or copied, in whole or in part, in any printed, mechanical, electronic, film or other distribution and storage media, without the written consent of TrynEx International, LLC. Authorization to photocopy items for internal or personal use by TrynEx International, LLC outlets or snowplow owner is granted.

TrynEx International, LLC reserves the right under its product improvement policy to change construction or design details and furnish equipment when so altered without reference to illustrations or specifications used. TrynEx International, LLC or the vehicle manufacturer may require or recommend optional equipment for snow removal. Do not exceed vehicle ratings with a snowplow. TrynEx International, LLC offers a limited warranty for all snowplows and accessories. See separately printed page for this important information. The following are registered (®) trademarks of Douglas Dynamics, LLC: Automatixx®, SnowEx®.

Printed in U.S.A.