



# **DEFENDER<sup>TM</sup>**

## **DEFENDER<sup>TM</sup> Compact Plow**

**Blade Assembly 85270/85275**

**Big Box Assembly 85260**

**Parts List**





TABLE OF CONTENTS

---

**COMPACT PLOW ASSEMBLY** ..... 4

**HEADGEAR AND A-FRAME ASSEMBLY** ..... 6

**HYDRAULIC COMPONENTS** ..... 8

    Hydraulic Unit..... 8

    Lift and Angle Rams ..... 10

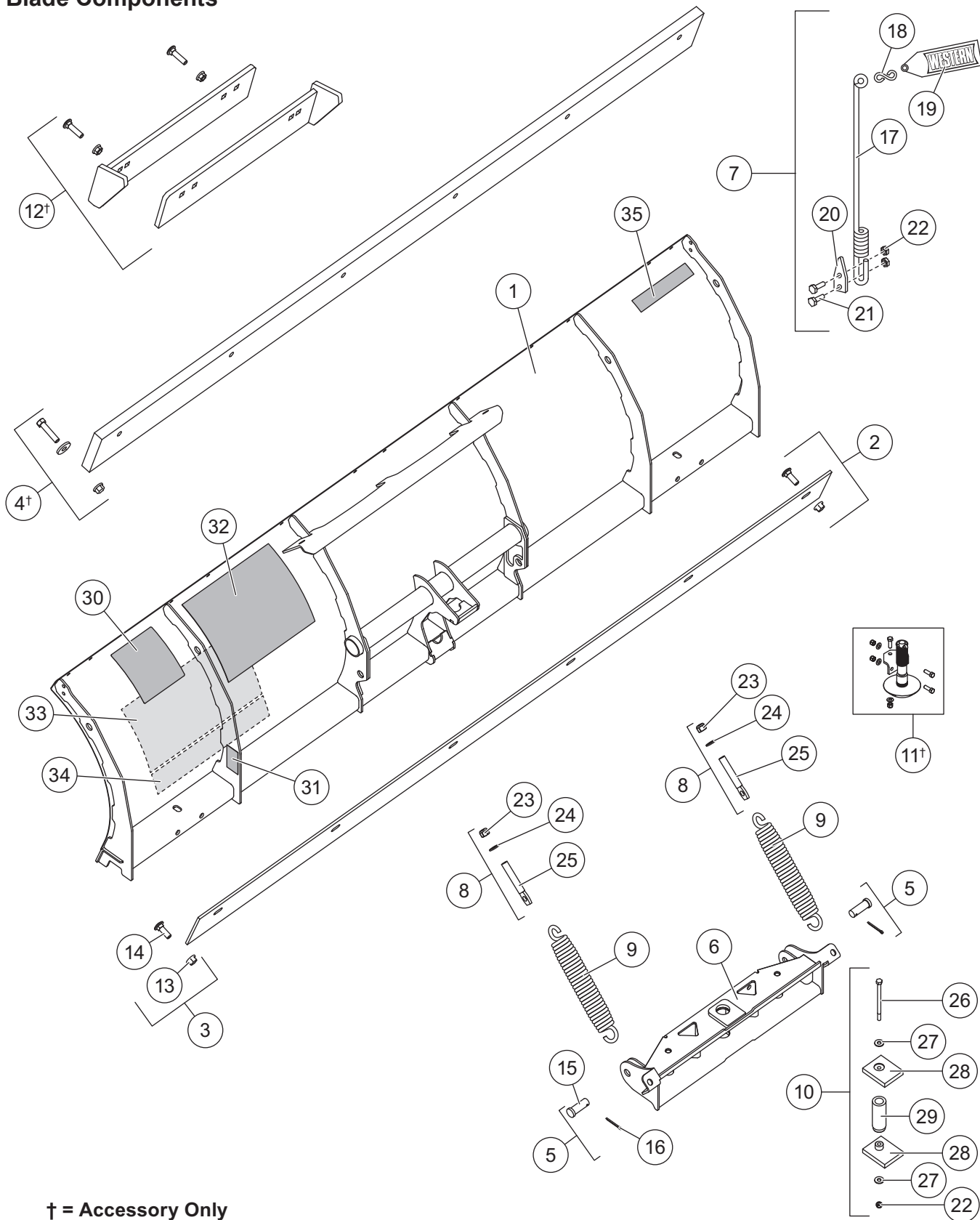
    Hoses and Fittings ..... 10

**VEHICLE-SIDE HARNESS DIAGRAM**..... 11

**HEADLAMP KIT** ..... 12

# DEFENDER™ COMPACT PLOW ASSEMBLY

## Blade Components

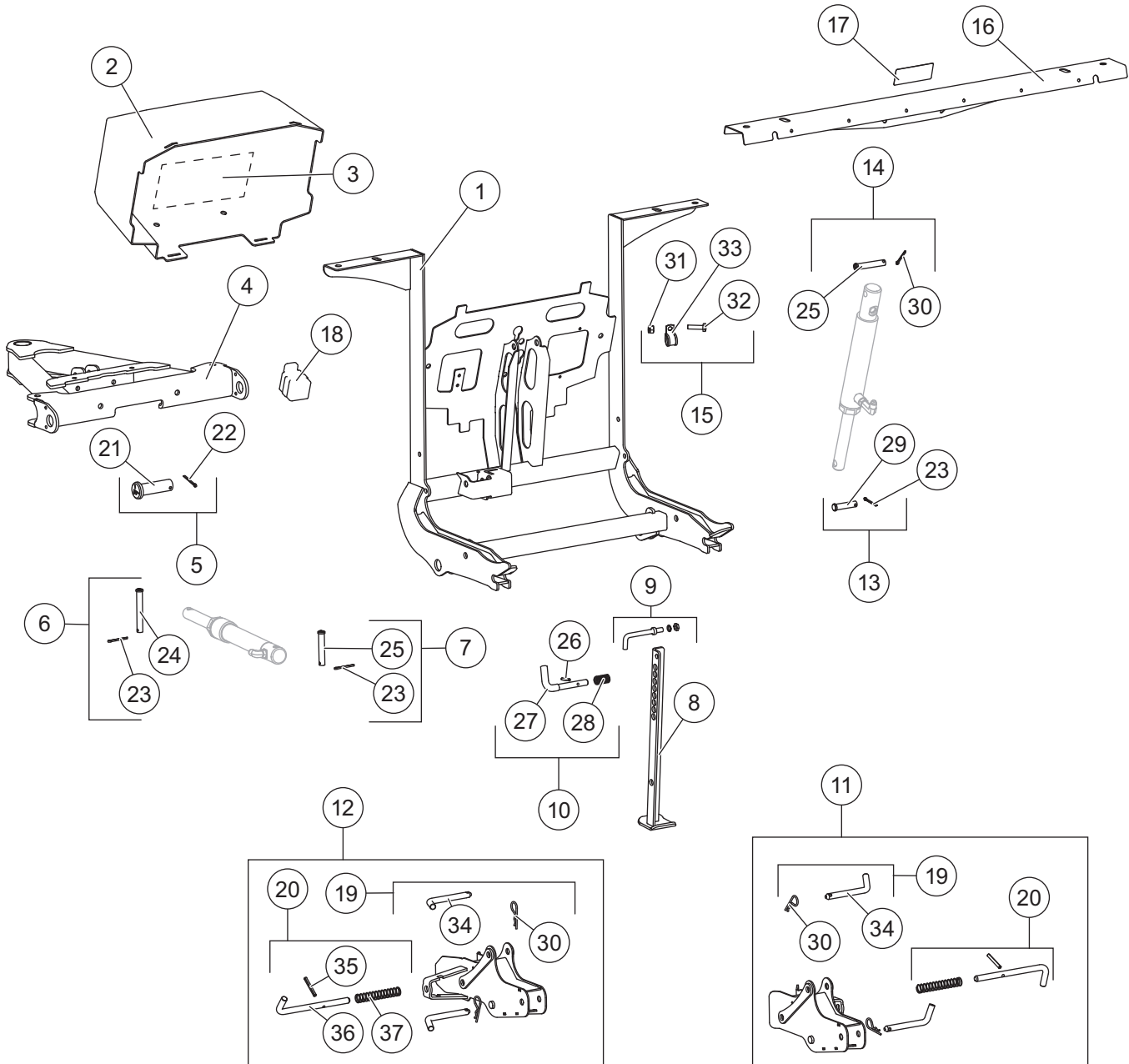


**DEFENDER™ COMPACT PLOW ASSEMBLY**

85270/85275 Blade Components							
Item	Part	Qty	Description	Item	Part	Qty	Description
1	85272	1	DEFENDER™ Blade w/ Labels 6'-8"	6	84573	1	Quadrant
	85273	1	DEFENDER Blade w/ Labels 7'-2"	7	59700	1	24" Blade Guide & Flag Assembly Kit
2	93668	1	1/4" Steel Cutting Edge Kit – 6'-8"	8	84702	2	Eyebolt Kit
	93669	1	1/4" Steel Cutting Edge Kit – 7'-2"	9	B61167	2	Trip Spring
	85287†	1	3/8" Steel Cutting Edge Kit – 6'-8"	10	84629	1	Center Pivot Bolt Kit
	85288†	1	3/8" Steel Cutting Edge Kit – 7'-2"	11	84506†	1	Shoe Assembly Kit
3	76512	1	Cutting Edge Bolt Bag	12	85332†	1	Curb Guard Kit
4	76477†	1	Poly Cutting Edge Kit – 7'-2"	ns	85274	1	Blade Label Kit – DEFENDER
	76476†	1	Poly Cutting Edge Kit – 6'-8"	ns	85264†	1	Rubber Deflector Kit
5	84631	2	3/4 x 2 Clevis Pin Kit with Cotter				
<b>Item 2 93668/93669 1/4" Steel Cutting Edge Kit</b>							
	1	1/4" Steel Cutting Edge		3	76512	1	Cutting Edge Bolt Bag
<b>Item 3 76512 Cutting Edge Bolt Bag</b>							
13	8	1/2-13 Hex Locknut GB		14	8	1/2-13 x 1-3/4 Carriage Bolt G8	
<b>Item 5 84631 3/4 x 2 Clevis Pin Kit with Cotter</b>							
15	2	3/4 x 2 Clevis Pin		16	2	5/32 x 1-1/2 Cotter Pin	
<b>Item 7 84525 24" Blade Guide Kit</b>							
17	59691	2	24" Blade Guide Rod	20	59946	2	Clamp
18	59696	2	S-Hook	21	68494	4	5/16-18 x 1 Hex Cap Screw G5
19	59694K	2	Blade Guide Flag	22	91332	4	5/16-18 Hex Locknut GB
<b>Item 8 84702 Eyebolt Kit</b>							
23	1	5/8-11 Hex Locknut GB		25	1	5/8-11 x 4 Eyebolt	
24	1	5/8 Hardened Flat Washer					
<b>Item 10 84629 Center Pivot Bolt Kit</b>							
22	1	5/16-18 Hex Locknut GB		28	27615	2	Bumper
26	1	5/16-18 x 5 Hex Cap Screw G5		29	1	Pivot Tube	
27	2	5/16 Flat Washer Type A					
<b>ns 85274 Blade Label Kit – DEFENDER</b>							
30	59900	1	Label – Warning/Caution, Snowplows	33	69489	1	Label – WESTERN® Moldboard
31	29256	1	Label – Foot Crush Warning	34	83838	1	Label – DEFENDER
32	88339	1	Label – Attach/Detach	35	28404	1	Label – ULTRAFINISH™
ns = not shown † = Accessory Only G = Grade							

# HEADGEAR AND A-FRAME ASSEMBLY

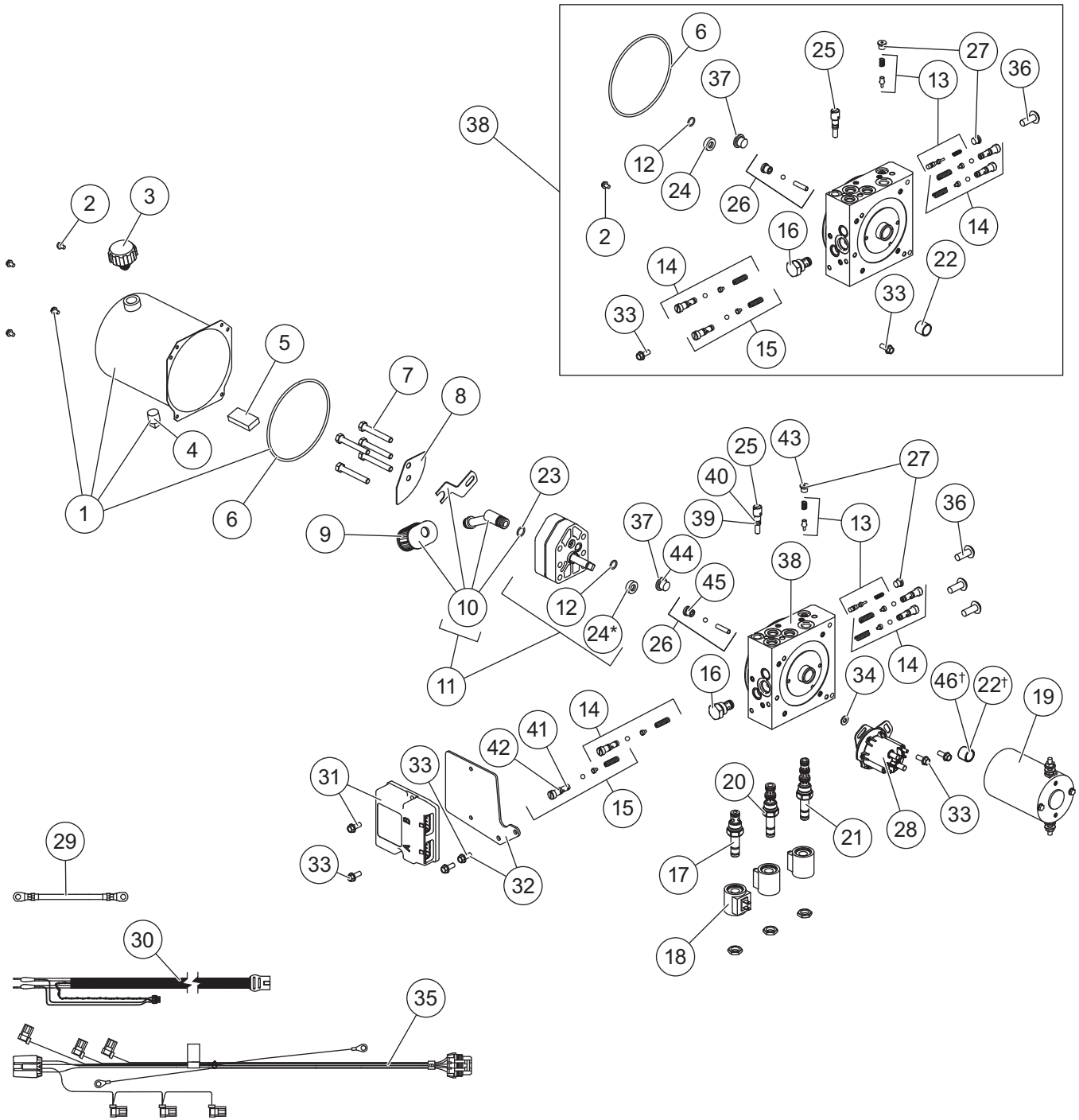
## Headgear and A-Frame Components



**HEADGEAR AND A-FRAME ASSEMBLY**

Compact Plow Headgear and A-Frame Components							
Item	Part	Qty	Description	Item	Part	Qty	Description
1	85323	1	Headgear	11	83792	1	Receiver Kit, PS
2	85194	1	Hydraulic Cover (incl. item 3)	12	83791	1	Receiver Kit, DS
3	84963	1	Label – Hydraulic	13	84627	1	Lift Ram Rod Pin Kit
4	85324	1	A-Frame	14	85199	1	Lift Ram Base Pin Kit
5	85329	1	A-Frame Pin Kit	15	84778	1	Power Cable Clamp Loop Kit
6	83629	2	Angle Ram Rod Pin Kit	16	85327	1	Light Bar (incl. item 17)
7	85198	2	Angle Ram Base Pin Kit	17	44454	1	Label – Identity
8	85328	1	Stand	18	61246	1	Cable Boot
9	85330	1	Stand Handle	19	84610	4	Receiver Pin Kit
10	67844	1	Stand Pin Kit	20	83886	1	Hitch Pin Kit
<b>Item 5</b>				<b>85329 A-Frame Pin Kit</b>			
21		1	1 x 3-5/16 Clevis Pin	22		1	1/4 x 1-1/2 Cotter Pin
<b>Item 6</b>				<b>83629 Angle Ram Pin Kit</b>			
23		1	5/32 x 1-1/2 Cotter Pin	24		1	1/2 x 3-11/16 Clevis Pin HT
<b>Item 7</b>				<b>85198 Angle Ram Base Pin Kit</b>			
23		1	5/32 x 1-1/2 Cotter Pin	25		1	1/2 x 2-7/8 Clevis Pin HT
<b>Item 10</b>				<b>67844 Stand Pin Kit</b>			
26		1	3/16 x 1-1/4 Roll Pin BP	28		1	Spring Lock Pin Stand
27	67643-1	1	Pin Lock Stand				
<b>Item 11</b>				<b>83792 Receiver Kit, PS</b>			
		1	Receiver, PS	20	83886	1	Hitch Pin Kit
19	84610	2	Receiver Pin Kit				
<b>Item 12</b>				<b>83791 Receiver Kit, DS</b>			
		1	Receiver, DS	20	83886	1	Hitch Pin Kit
19	84610	2	Receiver Pin Kit				
<b>Item 13</b>				<b>84627 Lift Ram Rod Pin Kit</b>			
23		1	5/32 x 1-1/2 Cotter Pin	29		1	1/2 x 2-1/8 Clevis Pin HT
<b>Item 14</b>				<b>85199 Lift Ram Base Pin Kit</b>			
25		1	1/2 x 2-7/8 Clevis Pin HT	30		1	1/8 Hairpin Cotter
<b>Item 15</b>				<b>84778 Power Cable Clamp Loop Kit</b>			
31		1	1/4-20 Hex Locknut GB	33		1	#10 Clamp Loop
32		1	1/4-20 x 1 Hex Cap Screw G5				
<b>Item 19</b>				<b>84610 Receiver Pin Kit</b>			
30	91962	1	1/8 Hairpin Cotter	34	27599	1	1/2 x 4 Clevis Pin
<b>Item 20</b>				<b>83886 Hitch Pin Kit</b>			
35		1	1/4 x 2 Roll Pin BP	37	85253	1	0.72 OD x 4-1/4 Spring
36		1	Hitch Pin HT				
		G = Grade				HT = Heat Treated	
						SS = Stainless Steel	

Hydraulic Unit Components





**www.storksplows.com**  
**HYDRAULIC COMPONENTS**

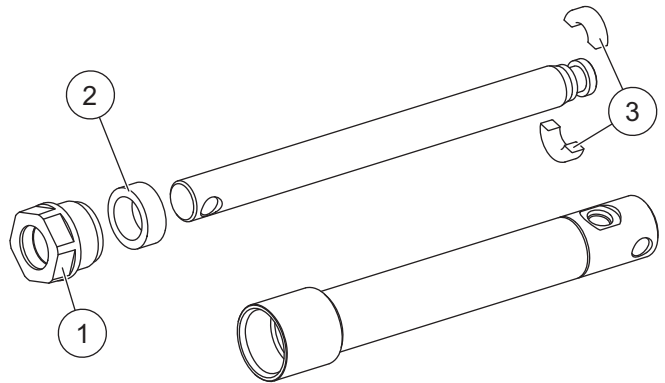
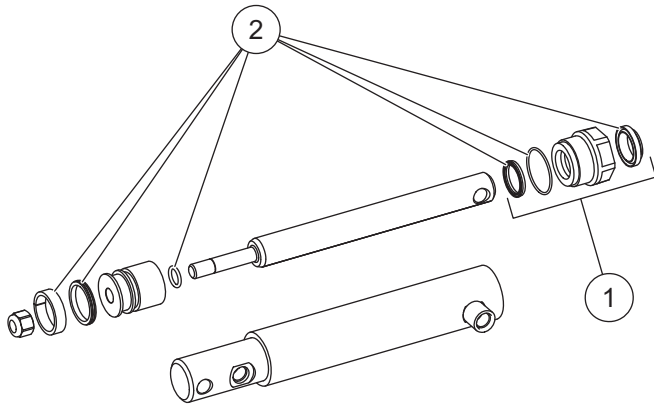
<b>84949 Hydraulic Unit</b>							
Item	Part	Qty	Description	Item	Part	Qty	Description
1	48538	1	Reservoir Kit	25	48517	1	Quill
2	66607	4	10-24 x 5/16 Machine Screw Slotted Hex Washer Head	26	48518	1	Check Valve Assembly
3	21727-2K	1	Breather 3/8 NPT Kit	27	92960	2	3/8-24 O-Ring Boss Plug
4	92079	1	Plug 3/8 NPTF	28	52290	1	Motor Relay
5	73897	1	Magnet	29	29071	1	Cable Assy, 8"
6	66519	1	O-Ring 2 -250	30	42015	1	Cable Assy, Plow
7	90073	5	5/16-18 x 2-1/4 Hex Cap Screw G5	31	49567	1	Plow Module
8	48464	1	Plate Baffle	32	84957	1	Module Plate w/Screws
9	56789-4	1	Suction Filter	33	44355	6	1/4-20 x 5/8 Hex Washer Head Thread-Rolling Screw
10	66763-1	1	Inlet Fitting/Filter Kit	34	91119	1	3/16 Flat Washer Type A Special
11	27746	1	Hydraulic Pump Kit – IA	35	28581-1	1	Harness Plow Control 3-Solenoid
12	56274	1	O-Ring -013	36	98043	3	3/8-16 x 1 Button Head Cap Screw
13	49226K	1	Poppet Check Valve Kit	37	56532	1	Plug, -6 SAE O-Ring Boss
14	49138K-4	2	Relief Valve Kit (2 Sets)	38	84950	1	Manifold Assy w/o Valves (incl. items 2, 6, 12, 13, 14, 15, 16, 22, 24, 25, 26, 27, 33, 35 and 36)
15	27792-1	1	Relief Valve Repair Kit	39	48239	1	O-Ring -106
16	44334-1	1	Check Valve CV08-20	40	48240	1	Back-up Ring -106
17	49227K-2	1	Valve 2-Way w/Nut	41	55371	4	O-Ring -008
18	49230K-2	3	Coil w/Spade Terminals	42	25731	4	O-Ring -010
19	48543-1	1	Motor Assembly 3"	43	26784	2	O-Ring -903
20	66608-1	1	Cartridge Valve 3-Way w/Nut	44	56569	1	O-Ring -906
21	49229K-1	1	Cartridge Valve 4-Way w/Nut	45	44343	1	O-Ring -904
22†	56364*	1	Bearing, Sleeve	46†	64596-1	1	Sleeve Bearing and Shaft Seal Kit
23	56416	1	O-Ring -014				
24	66515**	1	Pump Shaft Seal				
<b>O-Ring Service Kits</b>							
ns	56657-5	–	O-Ring & Back-Up Ring Kit	ns	49259-2	–	Seal Kit Cartridge 3-Way and 4-Way Valve
ns	49258-2	–	Seal Kit 2-Way Valve				
ns = not shown				G = Grade			

† Use 64589 tool for bearing sleeve replacement (includes 1 bearing).

\* Use 64589 tool to install (includes 56364)

\*\* Use 28856 tool to install (includes 66515)

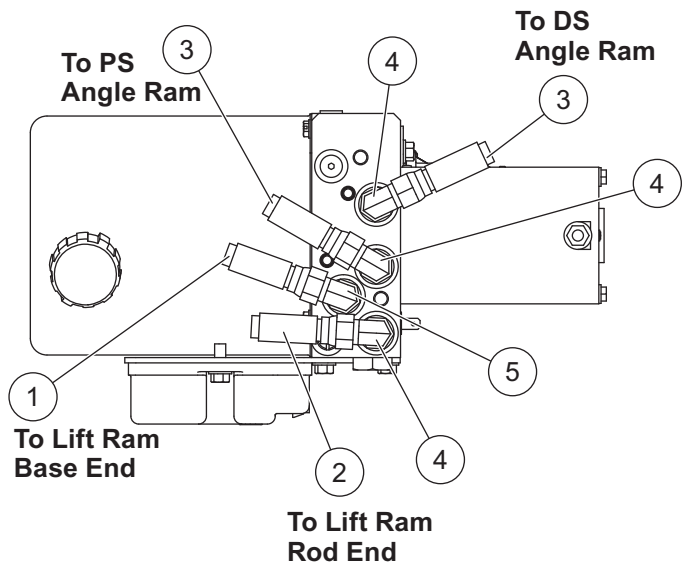
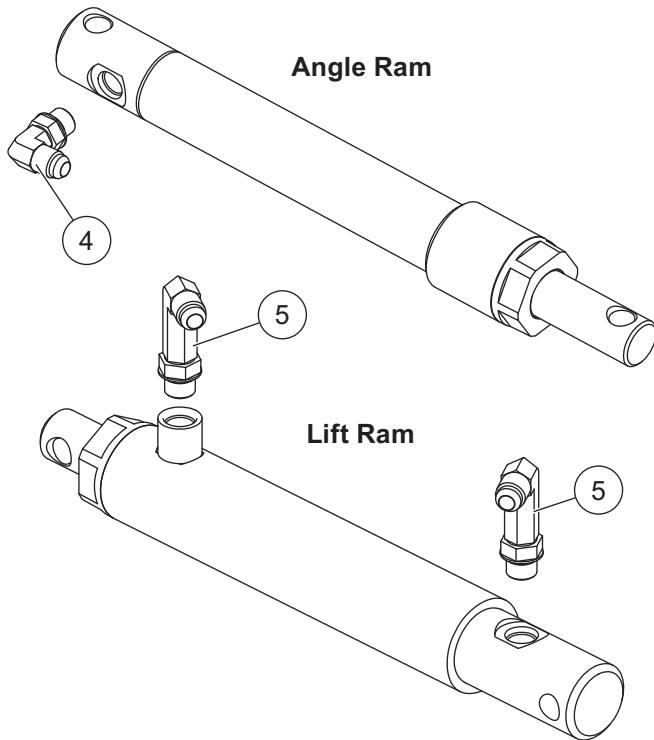
**Lift and Angle Ram Components**



84496 Lift Ram Assembly 1-1/2 x 6 DA			
Item	Part	Qty	Description
1	52277	1	1" Gland Assembly
2	27788-1	1	Seal Kit 1-1/2" DA Ram

56772K Angle Ram Assembly 1 x 7			
Item	Part	Qty	Description
1	52277	1	1" Gland Nut Assembly
2	56803	1	Spacer
3	52276	1	1" Split Bearing Kit

**Hoses and Fittings**

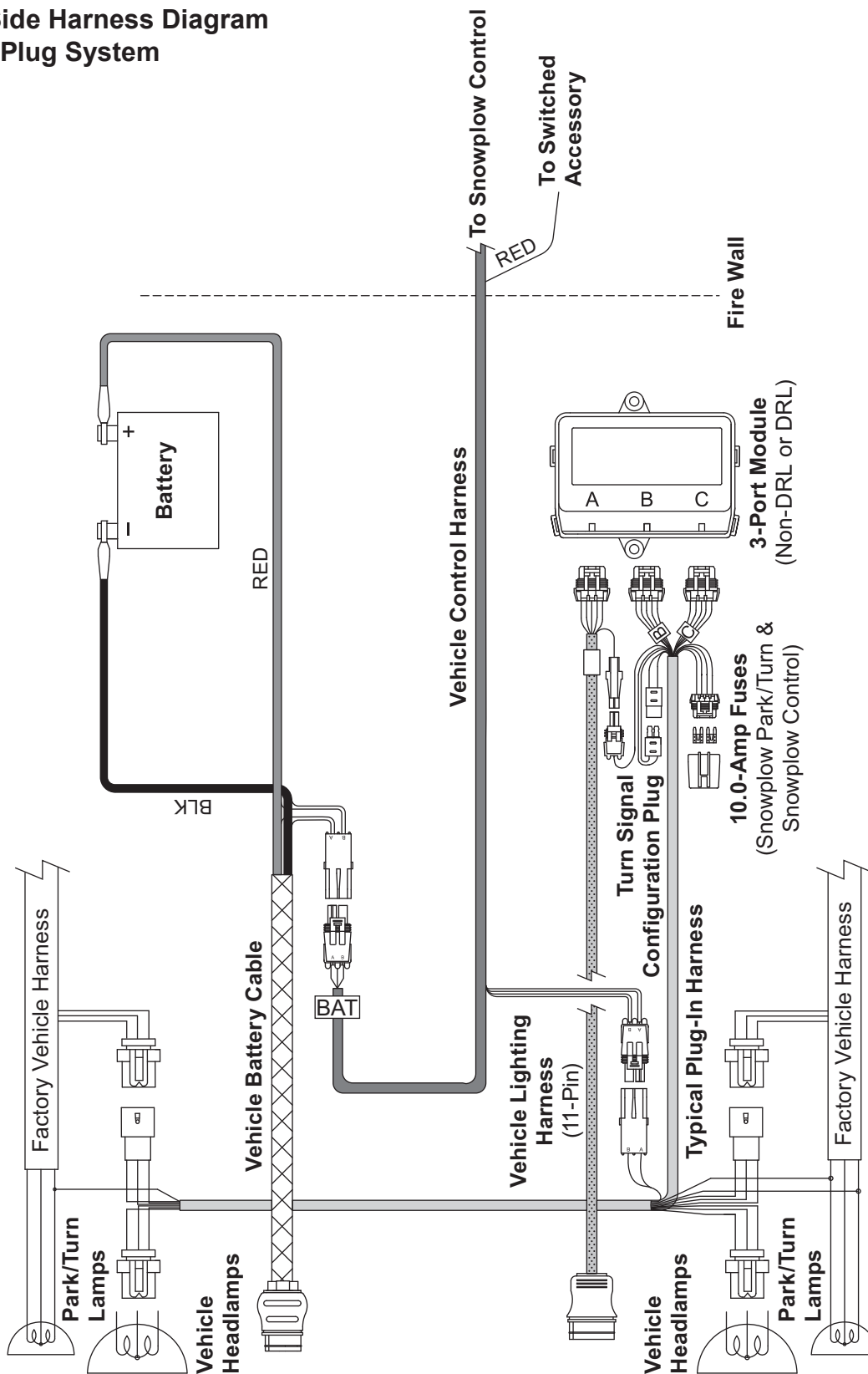


Hoses and Fittings							
Item	Part	Qty	Description	Item	Part	Qty	Description
1	84446	1	Hose, 1/4 x 14 w/F JIC Ends	5	64212-1	3	Elbow, Extra Long 90° -6 M JIC/-6 M ORB
2	56830	1	Hose, 1/4 x 22 w/F JIC Ends	ns	56823	1	Hose Wrap
3	48519	2	Hose, 1/4 x 32 w/F JIC Ends				
4	56615-1	5	Elbow, 90° -6 M JIC/-6 M ORB				

F = Female                      ns = not shown                      M = Male

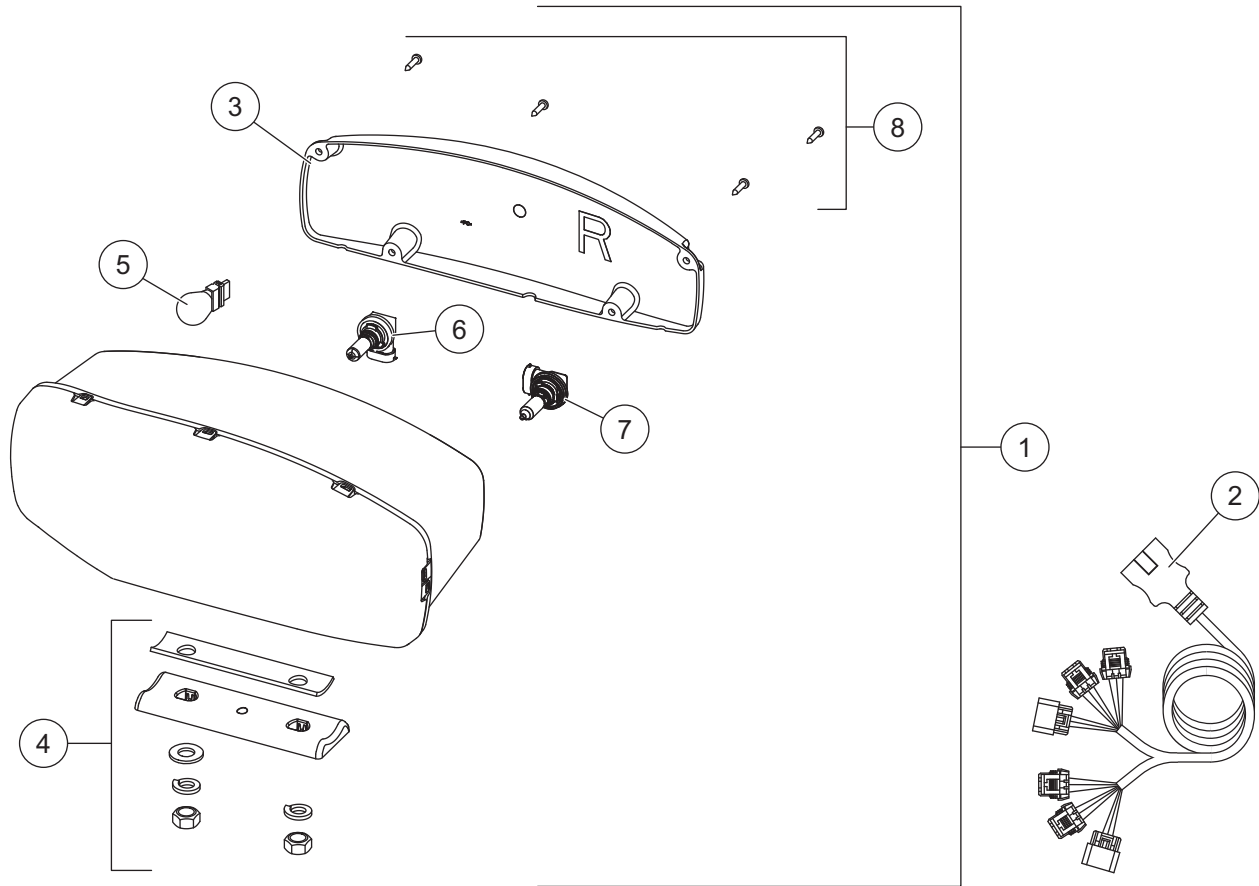
# VEHICLE-SIDE HARNESS DIAGRAM

Vehicle-Side Harness Diagram  
3-Port, 2-Plug System



[www.storksplows.com](http://www.storksplows.com)  
**HEADLAMP KIT DIAGRAM**

**Headlamp Kit**



<b>38800 Headlamp Kit H9/H11 (Pair)</b>							
Item	Part	Qty	Description	Item	Part	Qty	Description
1	38802	1	Headlamp Service Kit H9/H11 – PS	2	38807	1	Harness Service Kit H9/H11
ns	38801	1	Headlamp Service Kit H9/H11 – DS				
<b>Item 1</b>	<b>38801/38802 Headlamp Service Kit H9/H11 – PS/DS</b>						
3	38803	1	Rear Cover Kit H9/H11 – PS	6	38811	1	H11 Headlamp Bulb Service Kit
ns	38812	1	Rear Cover Kit H9/H11 – DS	7	38809	1	H9 Headlamp Bulb Service Kit
4	38804	1	Mounting Hardware Kit H9/H11	8	38808	1	Cover Screws Service Kit H9/H11 (pkg of 4)
5		1	Park/Turn Bulb (Trade No. 4157NAK)				
ns = not shown			DS = Driver's Side			PS = Passenger's Side	





Western Products  
PO Box 245038  
Milwaukee, WI 53224-9538  
[www.westernplows.com](http://www.westernplows.com)

 A DIVISION OF DOUGLAS DYNAMICS, LLC

Copyright © 2017 Douglas Dynamics, LLC. All rights reserved. This material may not be reproduced or copied, in whole or in part, in any printed, mechanical, electronic, film or other distribution and storage media, without the written consent of Western Products. Authorization to photocopy items for internal or personal use by Western Products outlets or snowplow owner is granted.

Western Products reserves the right under its product improvement policy to change construction or design details and furnish equipment when so altered without reference to illustrations or specifications used. Western Products or the vehicle manufacturer may require or recommend optional equipment for snow removal. Do not exceed vehicle ratings with a snowplow. Western Products offers a limited warranty for all snowplows and accessories. See separately printed page for this important information. The following are registered (®) or unregistered (™) trademarks of Douglas Dynamics, LLC: DEFENDER™, ULTRAFINISH™, WESTERN®.

**Printed in U.S.A.**