



WIDE-OUT™ and WIDE-OUT™ XL Snowplows

Blade Assembly 85810, 85850

Center Assembly 85900

Center Assembly, Central Hydraulics 85910

Parts List



WIDE-OUT™ AND WIDE-OUT™ XL BLADE COMPONENTS4

WIDE-OUT AND WIDE-OUT XL CENTER ASSEMBLY6

 Lift Frame and A-Frame Components6

 Hydraulic Unit Components8

 Hydraulic Unit Cover Assembly10

 Lift and Angle Ram Components.....11

 Hoses and Fittings11

 Electrical Components.....12

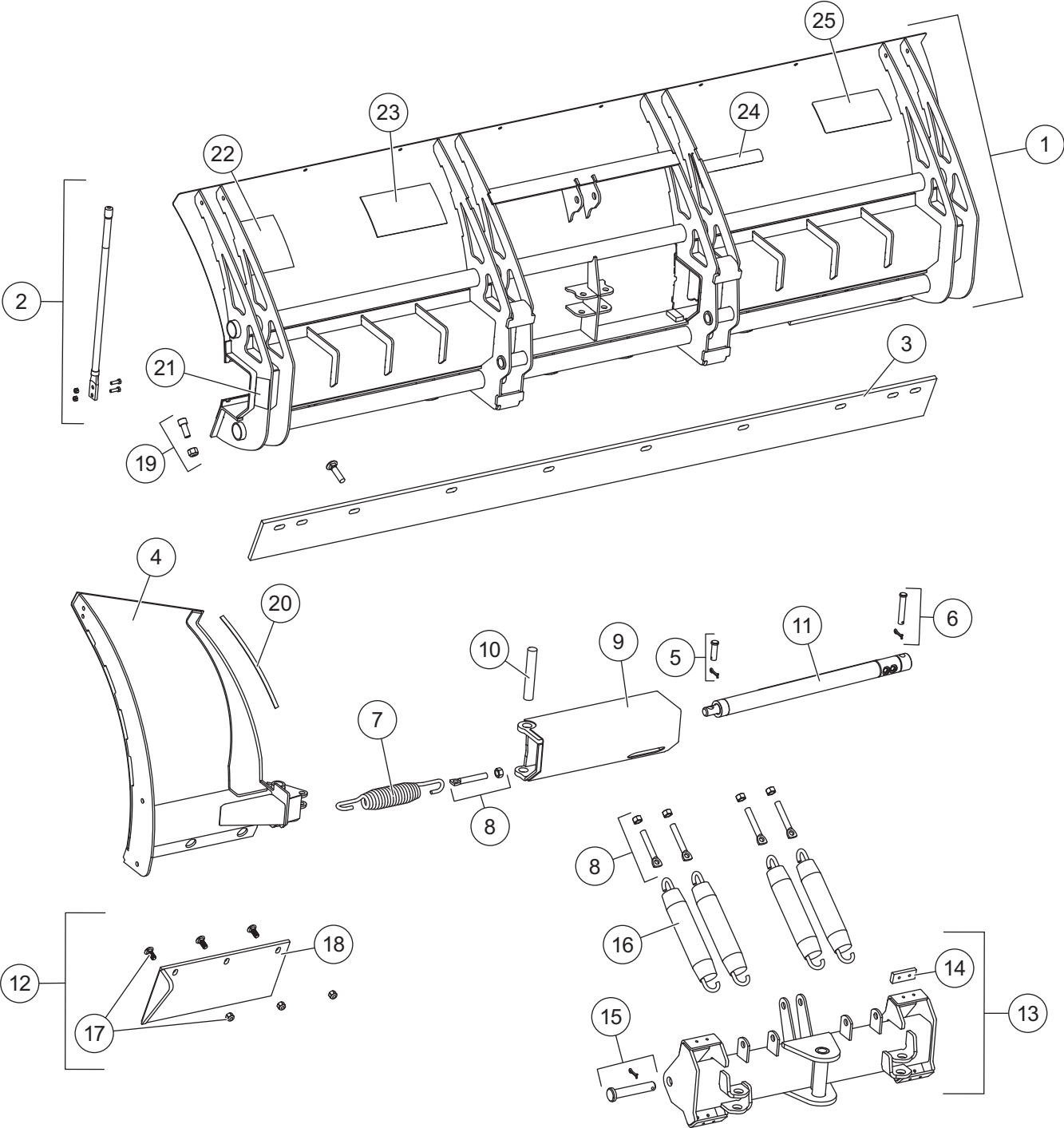
 Vehicle-Side Harness Diagram – 3-Port, 2-Plug System.....13

 Vehicle-Side Harness Diagram – Central Hydraulics.....14

 Headlamp Kit15

WIDE-OUT™ & WIDE-OUT™ XL BLADES 85810, 85850

Blade Components



WIDE-OUT™ & WIDE-OUT™ XL BLADES 85810, 85850

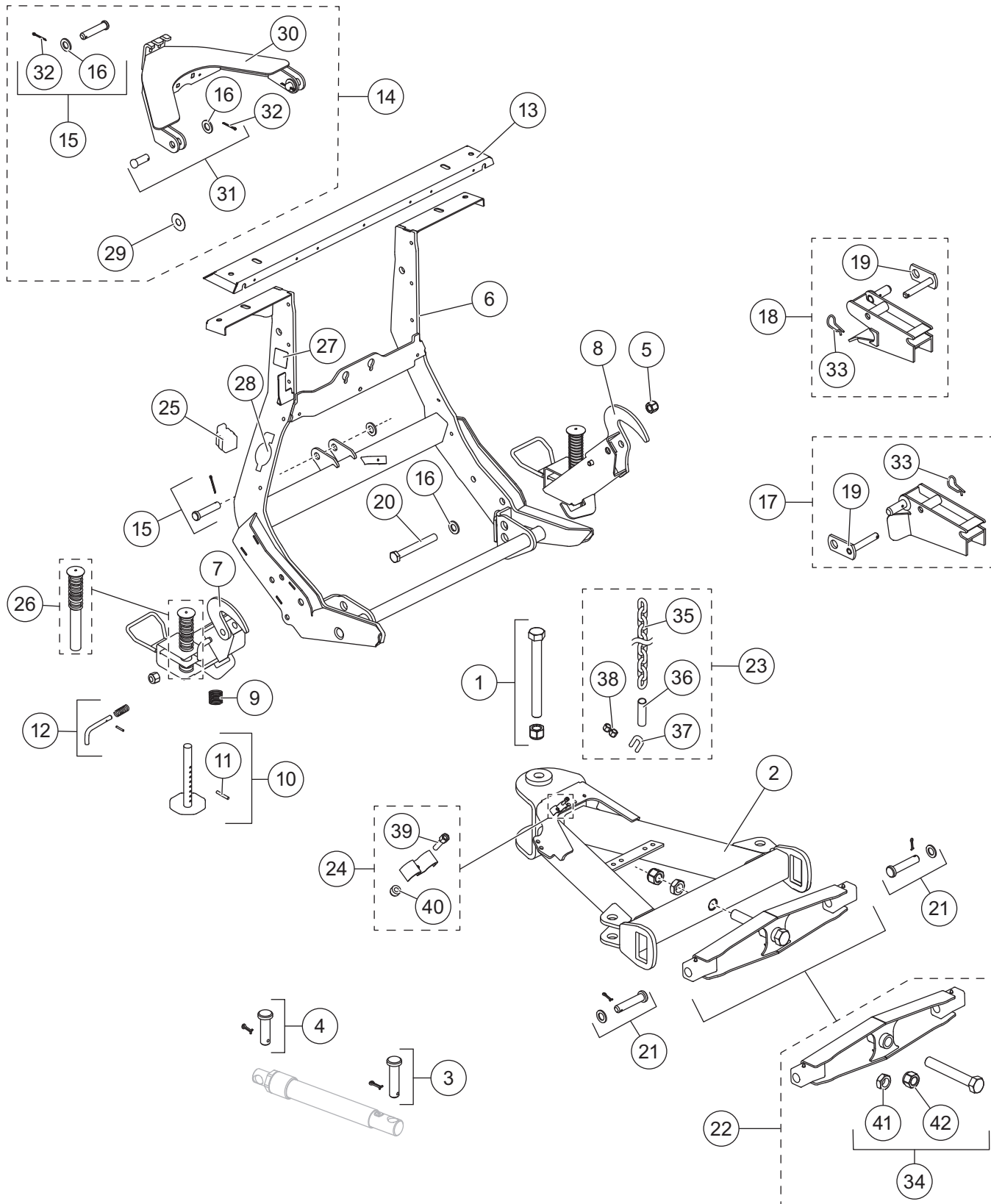
WIDE-OUT & WIDE-OUT XL Blade Components							
Item	Part	Qty	Description	Item	Part	Qty	Description
1	81154	1	WIDE-OUT Blade	14	63976	4	Bumper Kit
	81155	1	WIDE-OUT XL Blade	15	50677	2	Pin Kit
2	62595	1	Blade Guide Assembly, Poly (set of 2)	16	23039	4	Trip Spring
3	64775	1	Cutting Edge Kit, WIDE-OUT	17	11010	1	Bolt Kit, Steel Wing Edge
	63980	1	Cutting Edge Kit, WIDE-OUT XL	18	81148	1	Steel Wing Edge, WIDE-OUT – DS
4	81150	1	Blade Wing w/Labels, WO – DS		81149	1	Steel Wing Edge, WIDE-OUT – PS
	81156	1	Blade Wing w/Labels, WO XL – DS		95060	1	Steel Wing Edge, WIDE-OUT XL – DS
ns	81152	1	Blade Wing w/Labels, WO – PS		95061	1	Steel Wing Edge, WIDE-OUT XL – PS
ns	81158	1	Blade Wing w/Labels, WO XL – PS	19	50661	2	Stop Bolt Kit
5	50651	2	5/8 x 2 Pin Kit	20	57822	1	Wear Strip
6	50653	2	5/8 x 3-1/2 Pin Kit	21	29593	2	Label – Multiple Pinch Points
7	50654	2	Wing Spring	22	59900	1	Label – Warning/Caution, Snowplows
8	66421	6	5/8-11 x 4 Eyebolt Kit	23	43360	1	Label – Attach/Detach UltraMount® 2
9	81167	1	DS Blade Slidebox	24	28404	1	Label – Identity, ULTRAFINISH™
ns	81168	1	PS Blade Slidebox	25	44451	1	Label – Identity, WESTERN® 8.31
10	50660	2	Wing Pin	ns	92983	1	Label – WIDE-OUT XL Moldboard Logo
11	43803	2	Ram Assy 1-1/2 x 13-15/16 DA, WO	ns	92976	1	Label – WIDE-OUT Moldboard Logo
	94491	2	Ram Assy 1-1/2 x 16-15/16 DA, WO XL	ns	92979	1	Label – WIDE-OUT Wing – DS
12	57865	1	Steel Wing Cutting Edges Kit, WO	ns	92974	1	Label – WIDE-OUT Wing – PS
	81141	1	Steel Wing Cutting Edges Kit, WO XL	ns	40986	1	Label – CONTRACTOR GRADE®
13	92984	1	Quadrant Assy (quad w/riveted bumpers)	ns	43794	1	Combo Seal Kit, Wing Cylinder

ns = not shown

WIDE-OUT & WIDE-OUT XL Accessories (not shown)			
Part	Description	Part	Description
52280-1	Rubber Deflector Kit, WIDE-OUT	80262	Urethane Wing Edge Assembly Kit – WIDE-OUT XL
81989	Rubber Deflector Kit, WIDE-OUT XL	81994	Urethane Edge Assembly Kit – WIDE-OUT
52278	Back Drag Edge Kit, WIDE-OUT	81993	Urethane Edge Assembly Kit – WIDE-OUT XL
81985	Back Drag Edge Kit, WIDE-OUT XL	81196	5/8 Cutting Edge Kit, WIDE-OUT
63979	Shock Absorber	81195	5/8 Cutting Edge Kit, WIDE-OUT XL
72510	Shock Absorber Kit	44277-1	Shoe Kit
80261	Urethane Wing Edge Assembly Kit – WIDE-OUT		

WIDE-OUT™ & WIDE-OUT™ XL CENTER ASSEMBLY 85900, 85910 (CH)

Lift Frame and A-Frame Components



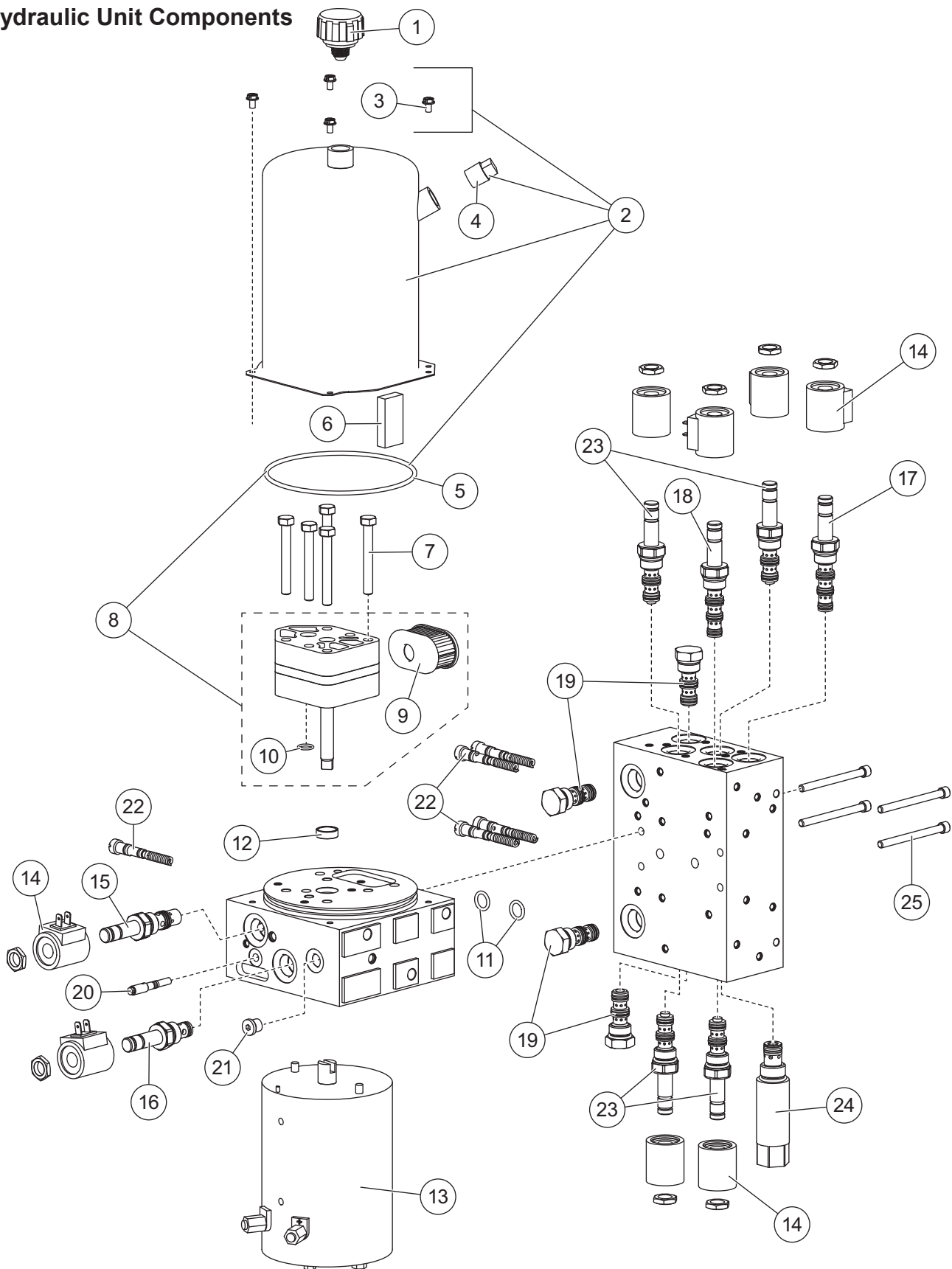
WIDE-OUT™ & WIDE-OUT™ XL CENTER ASSEMBLY 85900, 85910 (CH)

WIDE-OUT & WIDE-OUT XL Lift Frame and A-Frame Components							
Item	Part	Qty	Description	Item	Part	Qty	Description
1	50668	1	1 x 9-1/2 Pivot Bolt Kit	14	43304	1	Lift Arm Kit
2	50670	1	A-Frame Kit	15	68740	2	3/4 x 3-1/2 Clevis Pin Kit
3	50672	2	1 x 4 Pin Kit, Base End	16	91147	2	3/4 Flat Washer
4	50674	2	1 x 3-5/16 Pin Kit, Rod End	17	76722	1	Receiver Kit – DS
5	91338	2	3/4-10 Hex Locknut GB	18	76718	1	Receiver Kit – PS
6	86790	1	Lift Frame Kit	19	42498	2	Receiver Pin
7	72618	1	Stand Assembly – DS	20	66451	2	3/4-10 x 6 Hex Cap Screw G5
8	72617	1	Stand Assembly – PS	21	49645	2	1 x 4-3/4 Clevis Pin Kit
9	67636	1	Spring Lock Stand	22	67842-1	1	Pivot Bar Kit
10	67847	2	Stand Shoe Kit	23	49033	2	1/4 Grade 43 Chain Assembly
11	67635	2	1/4 x 2 Roll Pin BP	24	49479-1	2	Hose Bracket Kit
12	67844	2	Stand Lock Pin Kit	25	61246	1	Cable Boot
13	43302	1	Light Channel	26	48523	1	Plunger w/Spring
Item 6				86790 Lift Frame Kit			
		1	Lift Frame	28	43358	2	Label – Identity, UltraMount® 2
ns		1	Support Stand – DS	29		2	UHMW Round Flat Washer, Special
ns		1	Support Stand – PS	ns	79160	1	Parts Bag, Stands
27*	69689	1	Label – SECURITY GUARD™				
Item 10				67847 Stand Shoe Kit			
		1	Stand Shoe	11	67635	2	1/4 x 2 Roll Pin BP
Item 14				43304 Lift Arm Kit			
15	68740	1	3/4 x 3-1/2 Clevis Pin Kit	30		1	Lift Arm
29		2	UHMW Round Flat Washer, Special	31	43351	2	3/4 x 2 Clevis Pin Kit
Item 15				68740 3/4 x 3-1/2 Clevis Pin Kit			
		1	3/4 x 3-1/2 Clevis Pin	32	91911K	1	5/32 x 1-1/2 Cotter Pin Kit (pkg of 4)
16	91147	1	3/4 Flat Washer				
Item 17				76722 Receiver Kit – DS			
		1	Receiver – DS	33	91965K-1	1	5/32 Hairpin Cotter
19	42498	1	Receiver Pin				
Item 18				76718 Receiver Kit – PS			
		1	Receiver – PS	33	91965K-1	1	5/32 Hairpin Cotter
19	42498	1	Receiver Pin				
Item 22				67842-1 Pivot Bar Kit			
		1	Pivot Bar	34	67855	1	Pivot Bolt Kit
Item 23				49033 1/4 Grade 43 Chain Assembly			
35		1	1/4 Grade 43 Chain	37	90453	1	3/8-16 x 1-1/2 U-Bolt G5
36		1	Plastic Tube	38	91333	2	3/8-16 Hex Locknut GB
Item 24				49479-1 Hose Bracket Kit			
		1	Hose Bracket	40	91331	1	1/4-20 Hex Locknut GB
39		1	1/4-20 x 1-1/4 Socket Cap Screw G5				
Item 31				43351 3/4 x 2 Clevis Pin Kit			
		1	3/4 x 2 Clevis Pin	32	91911K	1	5/32 x 1-1/2 Cotter Pin Kit (pkg of 4)
16	91147	1	3/4 Flat Washer				
Item 34				67855 Pivot Bolt Kit			
		1	1-8 x 7 Hex Cap Screw G5	42	91340	1	1-8 Hex Locknut GB
41	67748	1	1-8 Hex Jam Nut G5				
G = Grade				ns = not shown			

* Not used for Central Hydraulics.

WIDE-OUT™ & WIDE-OUT™ XL CENTER ASSEMBLY 85900

Hydraulic Unit Components



WIDE-OUT™ & WIDE-OUT™ XL CENTER ASSEMBLY 85900

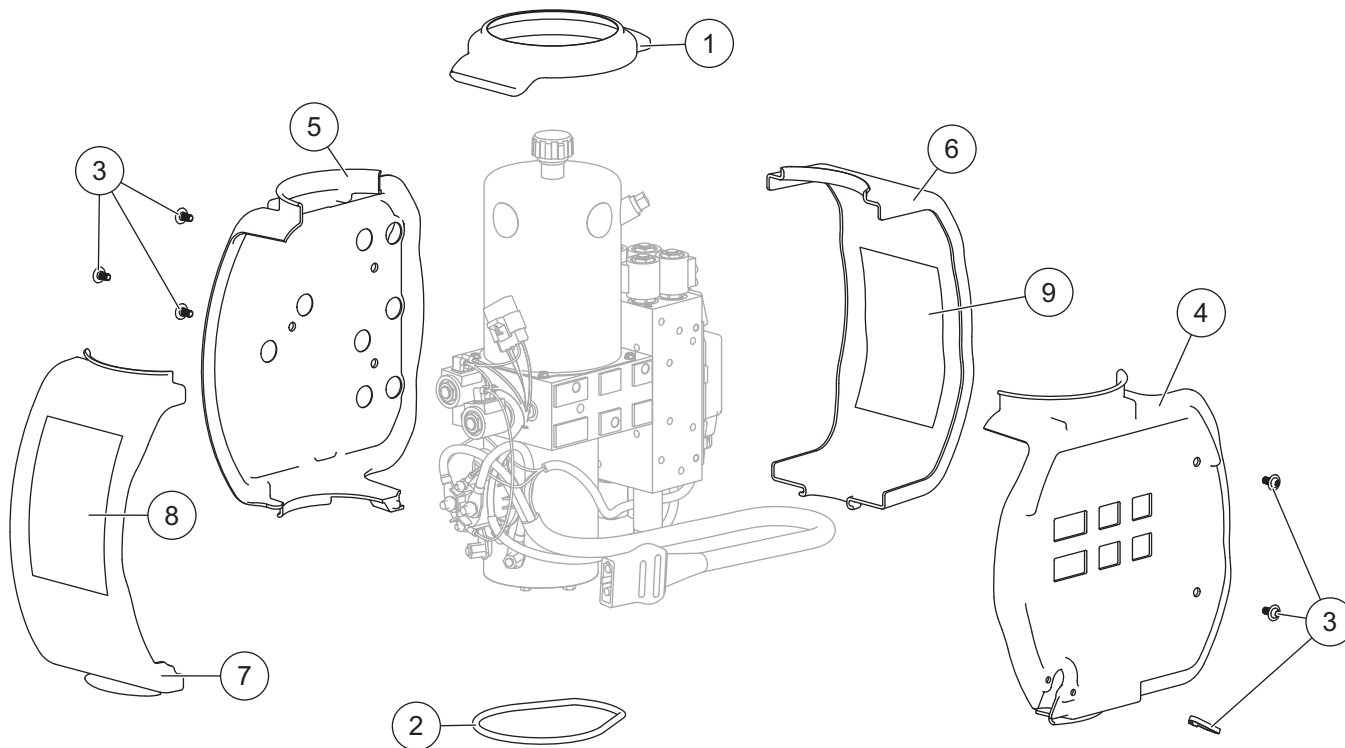
49450 Hydraulic Unit WIDE-OUT							
48256 Hydraulic Unit Service Kit WIDE-OUT*							
(Not used for Central Hydraulics)							
Item	Part	Qty	Description	Item	Part	Qty	Description
1	21727-2K	1	Breather Pressure Control	16	49227K-2	1	Valve – SV08-2004 w/Nut
2	44327-2	1	Reservoir Kit	17	49452	1	Valve – SV08-45 w/Nut
3	66607	4	#10-24 x 5/16 Machine Screw	18	49456	1	Valve – SV08-41 w/Nut
4	92079	1	Plug, Square 3/8 NPTF	19	49458	4	Valve – PC08-30 w/Nut
5	66519	1	O-Ring 2-250	20	56662	1	Quill Assembly 5/16-24 Thread
6	73897	1	Magnet		48517	1	Quill Assembly 1/2-20 Thread
7	90080	5	5/16-18 x 2-1/2 Hex Cap Screw G5	21	44344	1	Plug, Hex Socket –4 M ORB
8	44328-1	1	Pump Kit	22	49138K-3	2-1/2	Relief Valve Kit (2 sets)
9	56789-3	1	Suction Filter	23	49228K-1	4	Cartridge 30 w/Jam Nut
10	56274	1	O-Ring -013	24	49462	1	Crossover Relief Valve – 4000 psi
11	55587	2	O-Ring -112	25	29081	4	1/4-20 x 3 Socket Cap Screw
12	66515	1	Pump Shaft Seal	ns	29099	2	1/4-20 x 1/4 Hex Washer-Head Thread-Rolling Screw
13	21500-1	1	Motor Assembly 4-1/2"	ns	44355	2	1/4-20 x 5/8 Hex Washer-Head Thread-Rolling Screw
14	49230K-2	8	Coil With Spade Terminals				
15	44332	1	Valve – SVCV08-20 w/Nut				
Item 2				44327-2 Reservoir Kit			
		1	Reservoir	4	92079	1	Plug, Square 3/8 NPTF
3	66607	4	#10-24 x 5/16 Machine Screw	5	66519	1	O-Ring 2-250
Item 8				44328-1 Pump Kit			
5	66519	1	O-Ring 2-250	10	56274	1	O-Ring -013
9	26781-3	1	Suction Filter				
O-Ring Service Kits							
–	56657-3**	–	Back-Up/O-Ring Kit	–	49259-2	–	Seal Kit – Valves SV08-30, -31, -33, -40, -41, -43, -45, SVCV08-20 & PC08-30
–	49258-2	–	Seal Kit – Valves SV08-2004, CV08-20, SF08-2015	–	49464	–	Seal Kit – Crossover Relief Valve
ns = not shown		M = Male		G = Grade			

* Includes 49450 Hydraulic Unit, 49455 Hydraulic Unit Cover Assembly (p. 10), and Plow-Side Electrical Components (p. 12).

** Does not contain O-Rings for cartridge valves.

WIDE-OUT™ & WIDE-OUT™ XL CENTER ASSEMBLY 85900

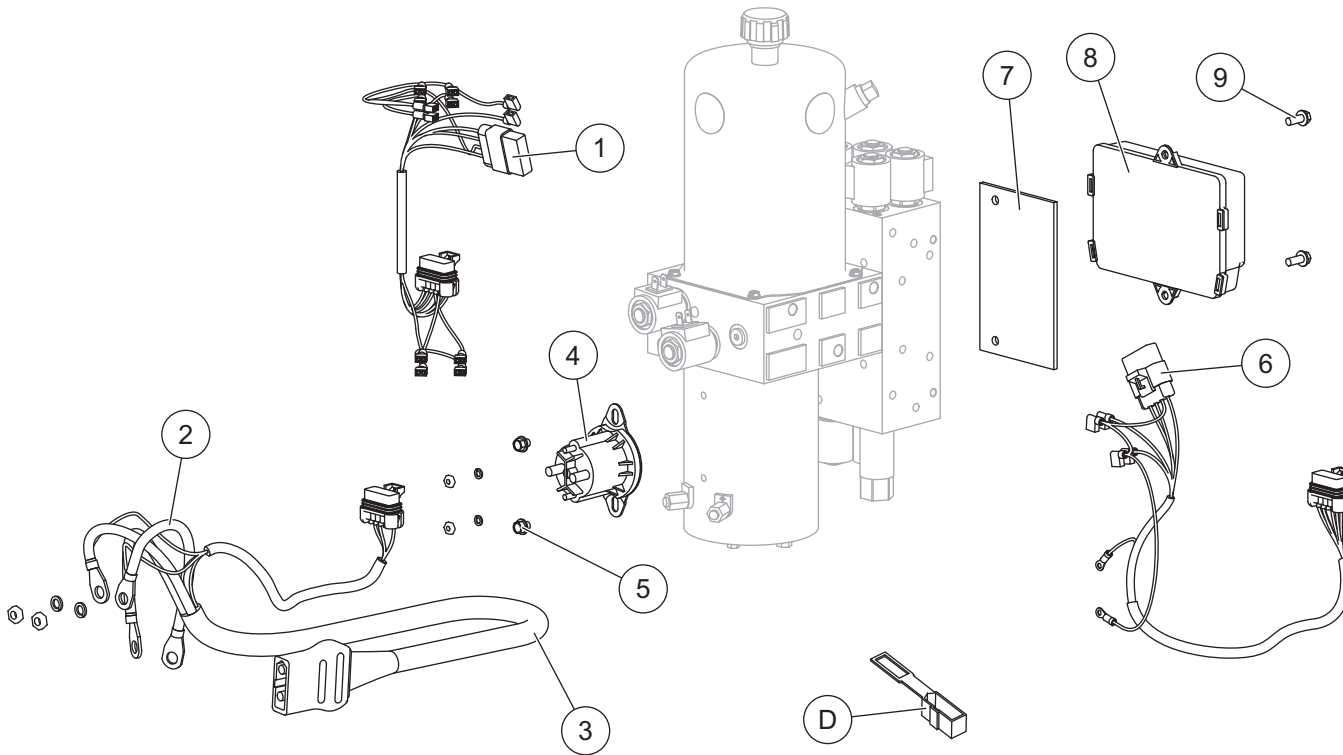
Hydraulic Unit Cover Assembly



49455 Hydraulic Unit Cover Assembly							
Item	Part	Qty	Description	Item	Part	Qty	Description
1	44352	1	Top Retainer Ring	7	44304	1	Cover, Side 4
2	44366	1	Bottom Retainer Ring	8	44904	1	Label – Information (S1–S2)
3	44326	1	Hydraulic Cover Fastener Kit	9	44906	1	Label – Information (S5–S10)
4		1	Cover, Side 1	ns	92973	1	Label – Identity, WIDE-OUT Hydraulic Unit
5		1	Cover, Side 2				
6	44303	1	Cover, Side 3				
Item 3				44326 Hydraulic Cover Fastener Kit			
		5	1/4-20 x 1/2 6-Lobe Round Washer-Head Screw			1	Cable Tie
				ns		1	Cable Tie 14"
ns = not shown							

WIDE-OUT™ & WIDE-OUT™ XL CENTER ASSEMBLY 85910 (CH)

Electrical Components



Plow-Side Electrical Components							
Item	Part	Qty	Description	Item	Part	Qty	Description
1	29471	1	Harness Plow Control 6 Solenoid	7	44308	11	Spacer Module
2	29071	1	Cable Assembly 8"	8	44354-3	1	Plow Module
3	42015	1	Plow Battery Cable	9	44355	2	1/4-20 x 5/8 Hex Washer-Head Thread-Rolling Screw
4	42902	1	Motor Relay Kit	ns	56099	1	Dielectric Grease
5	29099	2	1/4-20 x 1/4 Hex Washer-Head Thread-Rolling Screw	ns		4	Fuse, 4A Mini Automotive-Style (for items 1 and 6)
6	29461	1	Harness Plow Control 2-Solenoid	ns = not shown			

Vehicle-Side Electrical Components (Diagrams on following pages)							
A*†	28587	1	Vehicle Control Harness	D	61548K	1	Plug Cover Kit (shown w/plow-side electrical components)
B*†	42014	1	Vehicle Battery Cable				
C**	26498	1	Vehicle Control Harness – Central Hydraulics				

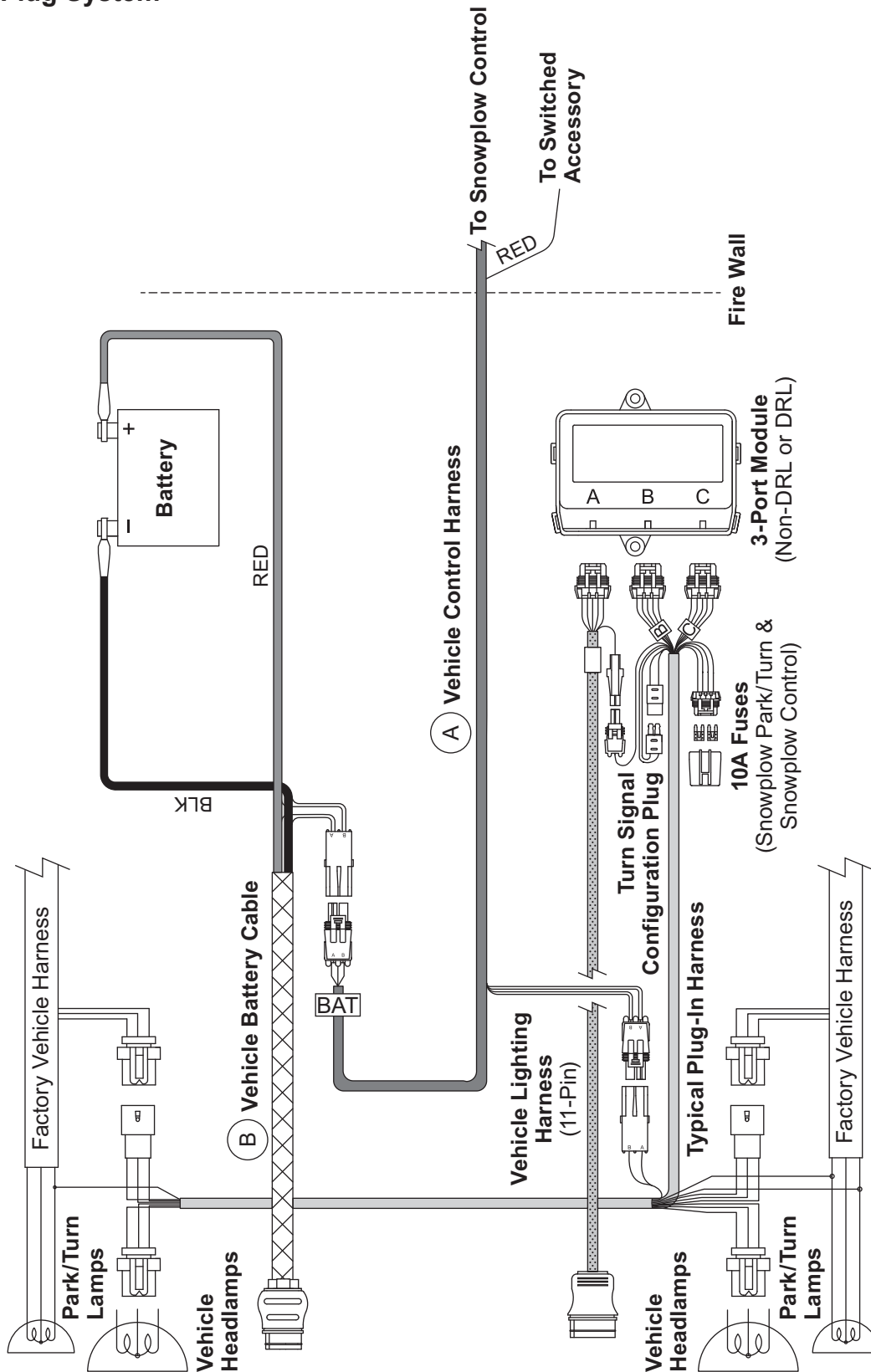
* See Vehicle-Side Harness Diagram – 3-Port, 2-Plug System.

** See Vehicle-Side Harness Diagram – Central Hydraulics.

† Not used for Central Hydraulics.

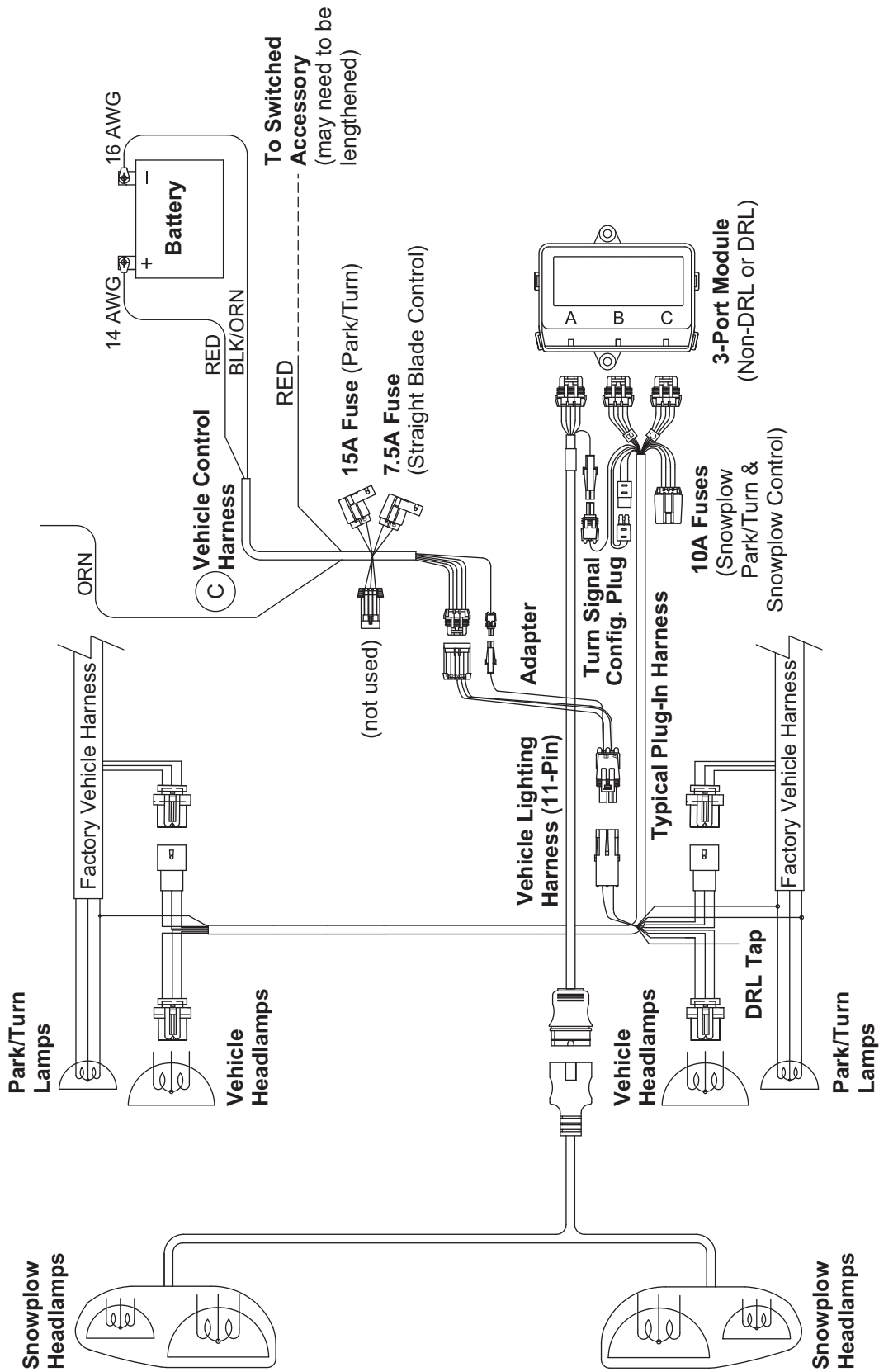
WIDE-OUT™ & WIDE-OUT™ XL CENTER ASSEMBLY 85900

Vehicle-Side Harness Diagram 3-Port, 2-Plug System



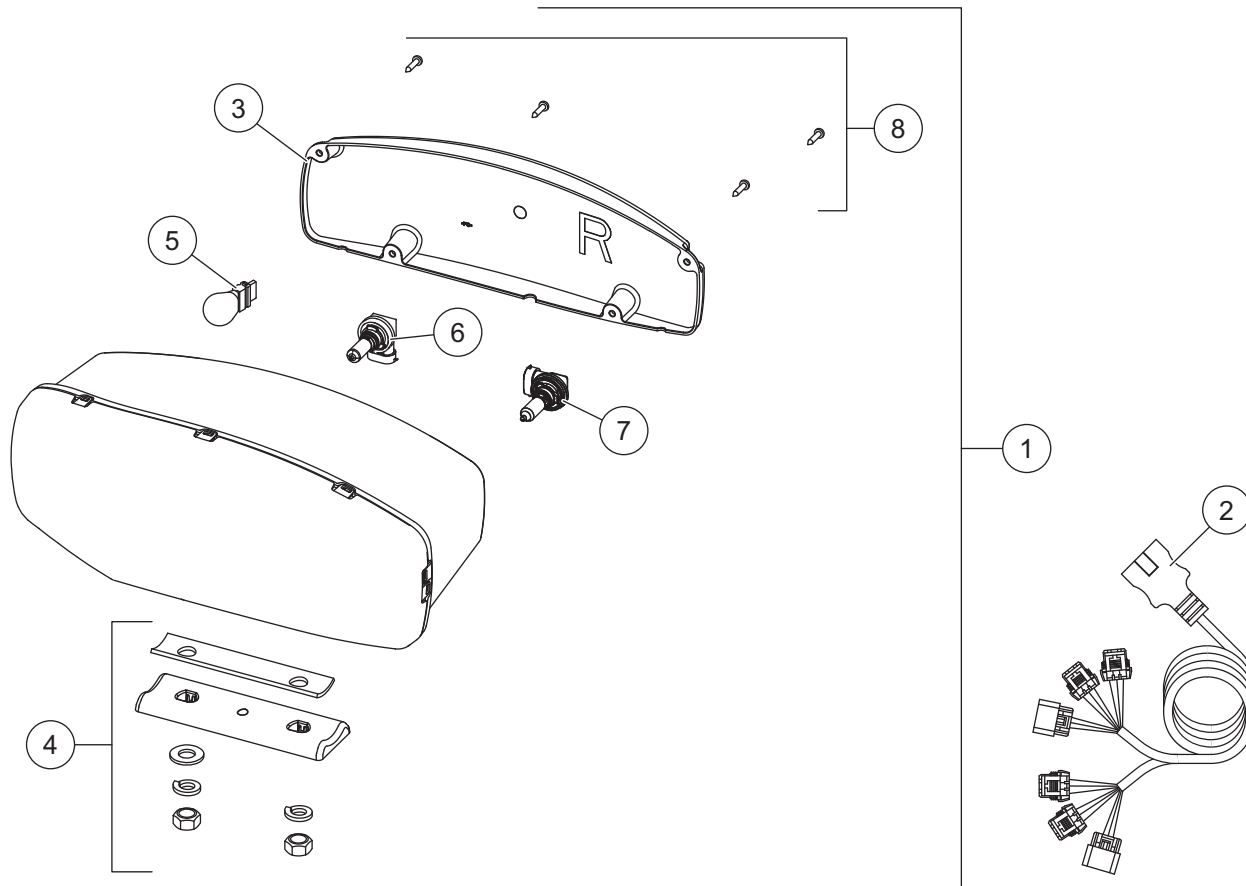
WIDE-OUT™ & WIDE-OUT™ XL CENTER ASSEMBLY 85910 (CH)

Vehicle-Side Harness Diagram – Central Hydraulics



WIDE-OUT™ & WIDE-OUT™ XL CENTER ASSEMBLY 85910 (CH)

Headlamp Kit



38800 Headlamp Kit H9/H11 (Pair)							
Item	Part	Qty	Description	Item	Part	Qty	Description
1	38802	1	Headlamp Service Kit H9/H11 – PS	2	38807	1	Harness Service Kit H9/H11
ns	38801	1	Headlamp Service Kit H9/H11 – DS				
Item 1 38801/38802 Headlamp Service Kit H9/H11 PS/DS							
3	38803	1	Rear Cover Kit H9/H11 – PS	6	38811	1	Headlamp Bulb Service Kit H11
ns	38812	1	Rear Cover Kit H9/H11 – DS	7	38809	1	Headlamp Bulb Service Kit H9
4	38804	1	Mounting Hardware Kit H9/H11	8	38808	1	Cover Screws Service Kit H9/H11 (pkg of 4)
5		1	Park/Turn Bulb (trade no. 4157NAK)				
ns = not shown							



Western Products
PO Box 245038
Milwaukee, WI 53224-9538
www.westernplows.com

 A DIVISION OF DOUGLAS DYNAMICS, LLC

Copyright © 2018 Douglas Dynamics, LLC. All rights reserved. This material may not be reproduced or copied, in whole or in part, in any printed, mechanical, electronic, film, or other distribution and storage media, without the written consent of Western Products. Authorization to photocopy items for internal or personal use by Western Products outlets or snowplow owner is granted.

Western Products reserves the right under its product improvement policy to change construction or design details and furnish equipment when so altered without reference to illustrations or specifications used. Western Products or the vehicle manufacturer may require or recommend optional equipment for snow removal. Do not exceed vehicle ratings with a snowplow. Western Products offers a limited warranty for all snowplows and accessories. See separately printed page for this important information. The following are registered (®) or unregistered (™) trademarks of Douglas Dynamics, LLC: CONTRACTOR GRADE®, SECURITY GUARD™, ULTRAFINISH™, UltraMount® 2, WESTERN®, WIDE-OUT™, WIDE-OUT™ XL.

Printed in U.S.A.