

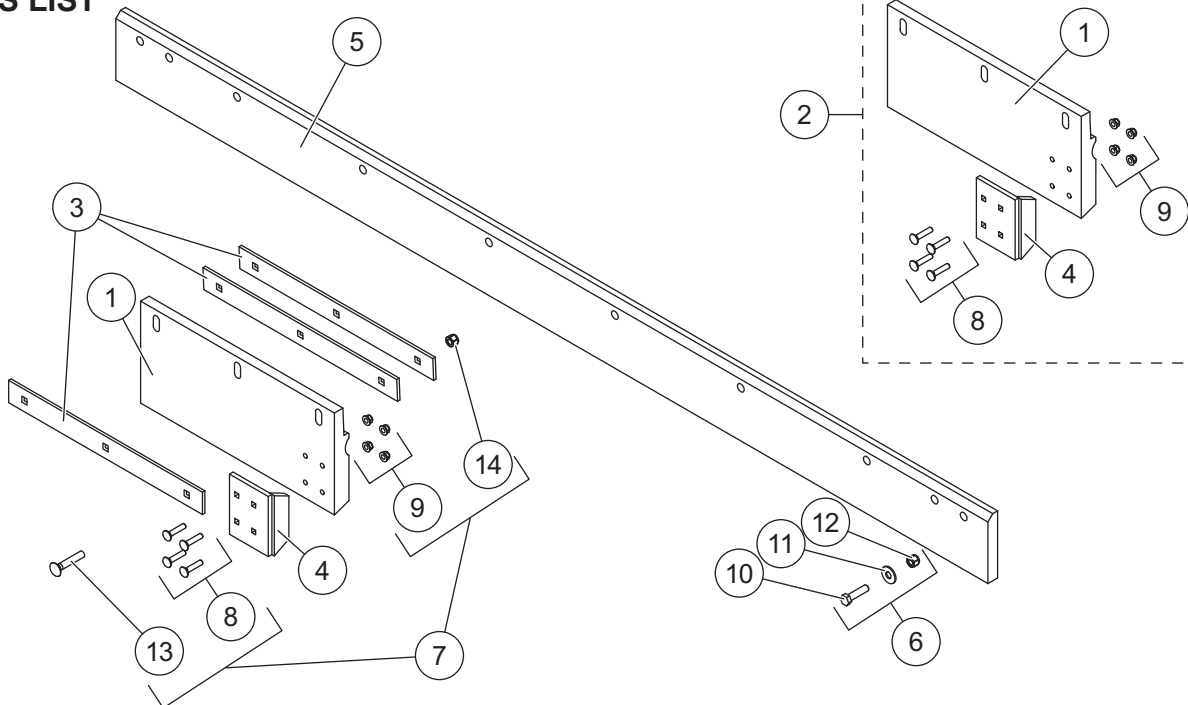


Western Products
PO Box 245038
Milwaukee, WI 53224-9538
www.westernplows.com

A DIVISION OF DOUGLAS DYNAMICS, LLC

WIDE-OUT™ Polyurethane Cutting Edge Kits
81993 – WIDE-OUT™ XL BLADES
81994 – WIDE-OUT BLADES
Parts List & Installation Instructions

PARTS LIST



81993 / 81994 Polyurethane Cutting Edge Kits – WIDE-OUT and WIDE-OUT XL							
Item	Part	Qty	Description	Item	Part	Qty	Description
1	81082	1	Poly Wing Edge, WIDE-OUT – DS	3	50640	6	Backer Bar – WIDE-OUT
	81051	1	Poly Wing Edge, WIDE-OUT XL – DS		94453	6	Backer Bar – WIDE-OUT XL
ns	81083	1	Poly Wing Edge, WIDE-OUT – PS	4	81071	2	Curb Guard
	81052	1	Poly Wing Edge, WIDE-OUT XL – PS	5	57688	1	Poly Blade Cutting Edge, WIDE-OUT
2	80259*	1	Poly Wing Edge Assembly, WIDE-OUT		57687	1	Poly Blade Cutting Edge, WIDE-OUT XL
	80243*	1	Poly Wing Edge Assembly, WIDE-OUT XL	6	81127	1	Bolt Bag – Polyurethane Cutting Edge
				7	94569	1	Bolt Bag – 2" w/Curb Guard Bolts
Item 2	80259 (WO) / 80243 (WO XL) Poly Cutting Edge Assembly						
1	81082	1	Poly Wing Edge, WIDE-OUT – DS	4	2	2	Curb Guard
	81051	1	Poly Wing Edge, WIDE-OUT XL – DS	8	8	8	3/8-16 x 1-3/4 Square Neck Carriage Bolt G5
ns	81083	1	Poly Wing Edge, WIDE-OUT – PS	9	8	8	3/8-16 Flanged Hex Locknut
	81052	1	Poly Wing Edge, WIDE-OUT XL – PS				
Item 6	81127 Bolt Bag – Polyurethane Cutting Edge						
10	10	10	5/8-11 x 2-1/2 Hex Cap Screw G5	12	10	10	5/8-11 Hex Locknut GB
11	10	10	5/8 Flat Washer Type A Wide				
Item 7	94569 Bolt Bag – 2" w/Curb Guard Bolts						
8	8	8	3/8-16 x 1-3/4 Square Neck Carriage Bolt G5	14	6	6	1/2-13 Hex Locknut GB
9	8	8	3/8-16 Flanged Hex Locknut	ns**	6	6	1/2-13 x 2-3/4 Square Neck Carriage Bolt G5
13	6	6	1/2-13 x 2 Square Neck Carriage Bolt G8				
ns = not shown				G = Grade			

* Does not include the retainer bar.

** Use as alternate fastener for 1/2"-13 x 2" carriage bolt, depending on configuration.

81993, 81994 WIDE-OUT™ & WIDE-OUT™ XL POLY CUTTING EDGE KITS

INSTALLATION INSTRUCTIONS

⚠ WARNING

Do not exceed GVWR or GAWR, including blade and ballast. The rating label is found on the driver-side vehicle door cornerpost.

⚠ WARNING

Blade can drop unexpectedly. Place quadrant on jack stands. Failure to do so could result in serious injury.

⚠ CAUTION

Read this document before installing the WIDE-OUT polyurethane cutting edge kit.

⚠ CAUTION

Use standard methods and practices when attaching snowplow and installing accessories, including proper personal protective safety equipment.

⚠ CAUTION

See your WESTERN® outlet/website for specific vehicle application recommendations before installation. The Quick Match selection system has specific vehicle and snowplow requirements.

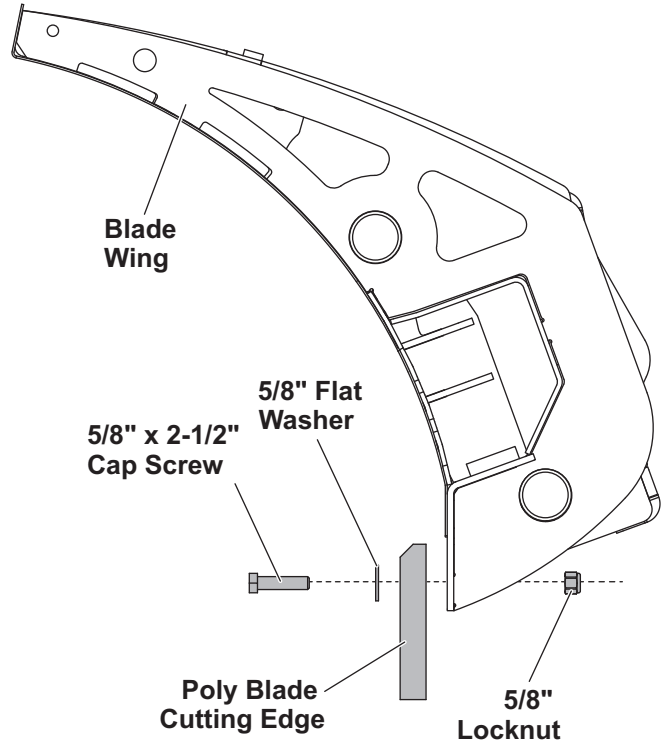
1. Park the vehicle on a smooth, level, hard surface, such as concrete.

With the blade in the fully retracted position, remove and retain the large Allen head cap screws located at each end of the blade. By removing these you will be able to access the innermost cutting edge fasteners in the following steps.

Raise the blade, fully extend the wings, and turn the control OFF. From the side of the blade assembly, place jack stands under the quadrant.

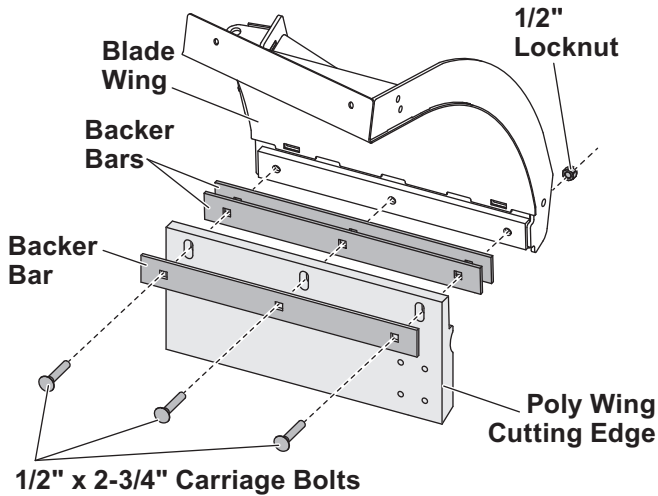
2. Turn the control ON and lower the blade onto the jack stands. Turn the control OFF and vehicle ignition to the "OFF" position.

3. Remove the existing cutting edges and fasteners from the blade and wings.
4. Insert the supplied 5/8" x 2-1/2" cap screws through the 5/8" flat washers, polyurethane cutting edge, and blade. Install a 5/8" locknut onto each cap screw and torque to 50 ft-lb.



81993, 81994 WIDE-OUT™ & WIDE-OUT™ XL POLY CUTTING EDGE KITS

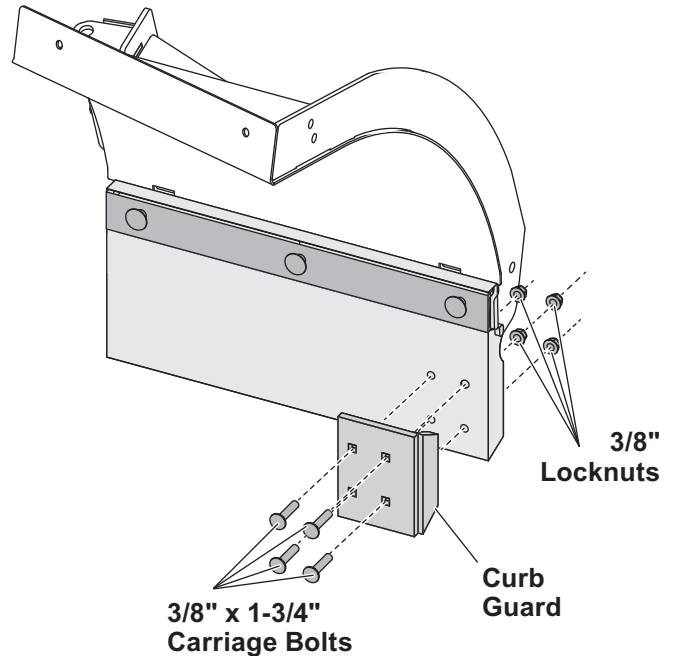
5. Insert three supplied 1/2" x 2-3/4" carriage bolts through a supplied backer bar, into one of the existing wing cutting edges, through two supplied backer bars and the corresponding blade wing. Install a 1/2" locknut onto each carriage bolt and torque to 50 ft-lb. Repeat for the other wing.



NOTE: The wing edge backer bars appropriately adjust the position of the wing cutting edges for the thickness of the blade cutting edge. Using the incorrect number of backer bars or wing edge bolts may result in improper operation of the snowplow.

If keeping a steel cutting edge on the blade, use three 1/2" x 2" carriage bolts and no backer bars between the wing cutting edge and wing. Install the poly cutting edge using 1/2" x 2" carriage bolts instead of the 1/2" x 2-3/4" carriage bolts.

6. Insert four supplied 3/8" x 1-3/4" carriage bolts through one of the supplied curb guards and into one of the poly wing cutting edges. Install a 3/8" locknut onto each carriage bolt, and torque until the lock ring of the nut engages the threads of the carriage bolt. Repeat for the other wing.



7. Turn the vehicle ignition and the control ON. Raise the blade slightly from the jack stands. Retract the wings and reinstall the Allen head cap screws on both sides of the blade. Turn the control OFF and remove the jack stands.
8. Stand 8' clear of the blade and lower the blade to the ground.

Copyright © 2018 Douglas Dynamics, LLC. All rights reserved. This material may not be reproduced or copied, in whole or in part, in any printed, mechanical, electronic, film, or other distribution and storage media, without the written consent of Western Products. Authorization to photocopy items for internal or personal use by Western Products outlets or snowplow owner is granted.

Western Products reserves the right under its product improvement policy to change construction or design details and furnish equipment when so altered without reference to illustrations or specifications used. Western Products or the vehicle manufacturer may require or recommend optional equipment for snow removal. Do not exceed vehicle ratings with a snowplow. Western Products offers a limited warranty for all snowplows and accessories. See separately printed page for this important information. The following are registered (®) or unregistered (™) trademarks of Douglas Dynamics, LLC: UltraMount®, WESTERN®, WIDE-OUT™, WIDE-OUT™ XL.

Printed in U.S.A.
