



Western Products
PO Box 245038
Milwaukee, WI 53224-9538
www.westernplows.com

A DIVISION OF DOUGLAS DYNAMICS, LLC

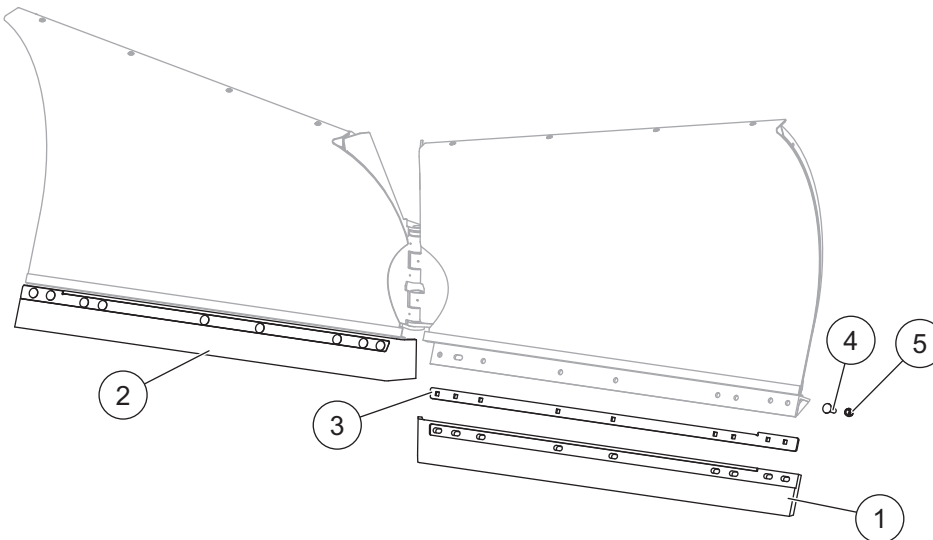
86867, 86877, 86879, 86882

POLY CUTTING EDGE KIT

V-Plow Snowplow Blades

Parts List & Installation Instructions

PARTS LIST



86867, 86877, 86879, 86882 Poly Cutting Edge Kit							
Item	Part	Qty	Description	Item	Part	Qty	Description
1	90417	1	Cutting Edge, Poly, 10.5' – DS	3	86862	2	Poly Cutting Edge Bar, 10.5'
	90416	1	Cutting Edge, Poly, 9.5' – DS		86863	2	Poly Cutting Edge Bar, 9.5'
	90414	1	Cutting Edge, Poly, 8.5' – DS		86864	2	Poly Cutting Edge Bar, 8.5'
	90413	1	Cutting Edge, Poly, 7.5' – DS		86843	2	Poly Cutting Edge Bar, 7.5'
2	90431	1	Cutting Edge, Poly, 10.5' – PS	ns	86890	1	Bolt Bag (10.5')
	90433	1	Cutting Edge, Poly, 9.5' – PS	ns	86852	1	Bolt Bag (7.5', 8.5', 9.5')
	90437	1	Cutting Edge, Poly, 8.5' – PS				
	90438	1	Cutting Edge, Poly, 7.5' – PS				
86890 Bolt Bag (10.5')							
4		18	5/8-11 x 2-1/2 Carriage Bolt G5	5		18	5/8-11 Hex Locknut GB
86852 Bolt Bag (7.5', 8.5', 9.5')							
4		14	5/8-11 x 2-1/2 Carriage Bolt G5	5		14	5/8-11 Hex Locknut GB
			ns = not shown				G = Grade

⚠ WARNING

Do not exceed GVWR or GAWR, including blade and ballast. The rating label is found on the driver-side vehicle door cornerpost.

⚠ CAUTION

Read this document before installing the poly cutting edge kit.

⚠ CAUTION

Use standard methods and practices when attaching snowplow and installing accessories, including proper personal protective safety equipment.

⚠ CAUTION

See your WESTERN® outlet/website for specific vehicle application recommendations before installation. The Quick Match selection system has specific vehicle and snowplow requirements.

INSTALLATION INSTRUCTIONS

⚠ WARNING
 Do not exceed GVWR or GAWR, including blade and ballast.

⚠ WARNING
 Blade can drop unexpectedly. Place T-frame on jack stands. Failure to do so could result in serious personal injury.

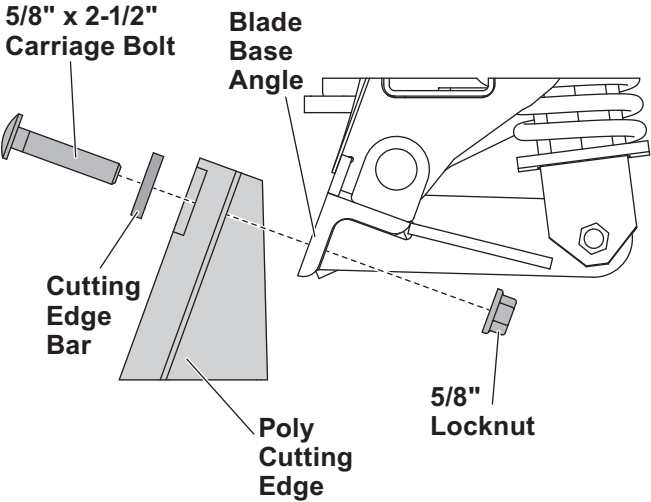
⚠ CAUTION
 Read this document before installing the poly cutting edge kit.

⚠ CAUTION
 Use standard methods and practices when attaching snowplow and installing accessories, including proper personal protective safety equipment.

⚠ CAUTION
 See your sales outlet/website for specific vehicle application recommendations before installation. The online selection tool has specific vehicle and snowplow requirements.

1. Park the vehicle on a smooth, level, hard surface, such as concrete. Raise the blade and adjust it into the V position.
2. Turn the control OFF. From the side of the blade assembly, place jack stands under the T-frame.

3. Turn the control ON and lower the blade so that the T-frame rests securely on the jack stands. Turn the control OFF. Turn the vehicle ignition to the "OFF" position and remove the key.
4. Remove the existing blade cutting edges, center cutting edges, and curb guards and fasteners from the blade.
5. Insert the supplied 5/8" x 2-1/2" carriage bolts through the cutting edge bar, cutting edge, and blade base angle. Install a 5/8" locknut onto each carriage bolt and tighten to 50 ft-lb.



6. Repeat Steps 4 and 5 on the other side.
7. Turn the vehicle ignition and snowplow control ON. Raise the blade slightly. Turn the control OFF and remove the jack stands.
8. Stand 8 feet clear of the blade, and lower the blade to the ground.

Copyright © 2019 Douglas Dynamics, LLC. All rights reserved. This material may not be reproduced or copied, in whole or in part, in any printed, mechanical, electronic, film, or other distribution and storage media, without the written consent of Western Products. Authorization to photocopy items for internal or personal use by Western Products outlets or snowplow owner is granted.

Western Products reserves the right under its product improvement policy to change construction or design details and furnish equipment when so altered without reference to illustrations or specifications used. Western Products or the vehicle manufacturer may require or recommend optional equipment for snow removal. Do not exceed vehicle ratings with a snowplow. Western Products offers a limited warranty for all snowplows and accessories. See separately printed page for this important information. The following are registered (®) trademarks of Douglas Dynamics, LLC: UltraMount® 2, WESTERN®.