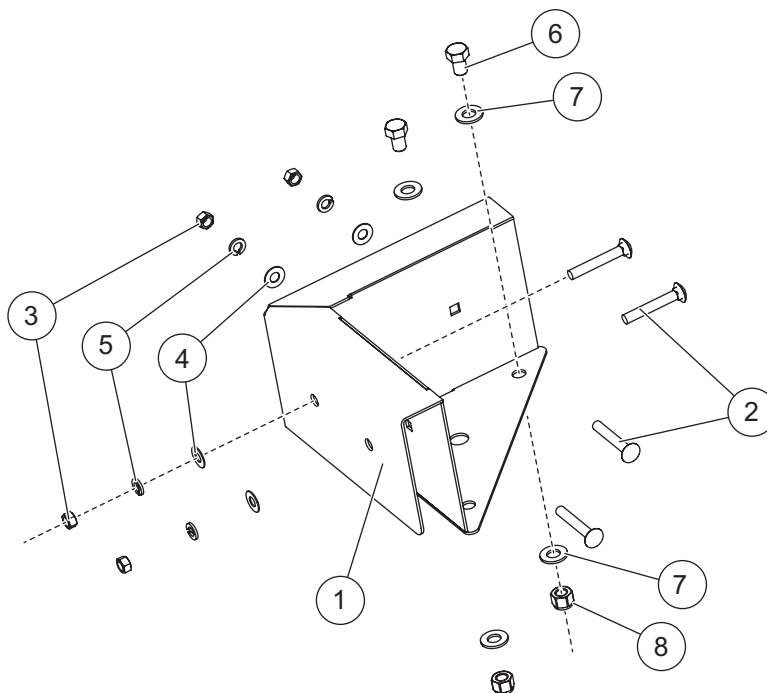


Hopper Side Extension Kit

Stainless Steel Hopper Spreaders

PARTS LIST



99488 Hopper Side Extension Kit							
Item	Part	Qty	Description	Item	Part	Qty	Description
1	99489	4	Extension Bracket	ns	99507	1	Bolt Bag
99507 Bolt Bag							
2		16	3/8-16 x 2-1/2 Carriage Bolt SS	6	8	1/2-13 x 1 Hex Cap Screw SS	
3		16	3/8-16 Hex Nut SS	7	16	1/2 Flat Washer SS	
4		16	3/8 Flat Washer SS	8	8	1/2-13 Locknut SS	
5		16	3/8 Lock Washer SS				
ns = not shown				SS = Stainless Steel			

⚠ WARNING

Do not exceed GVWR or GAWR ratings as found on the driver-side vehicle door cornerpost.

⚠ CAUTION

Use standard methods and practices when attaching spreader and installing accessories, including proper personal protective safety equipment.

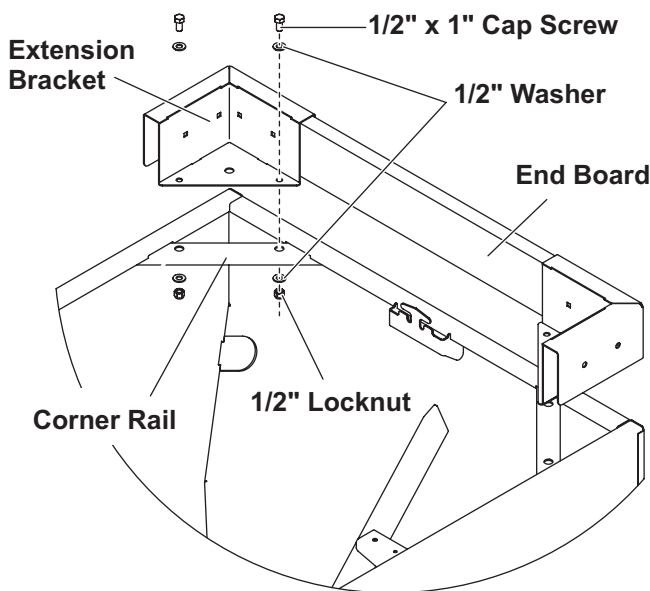
⚠ CAUTION

Read this document before installing the Hopper Side Extension Kit.

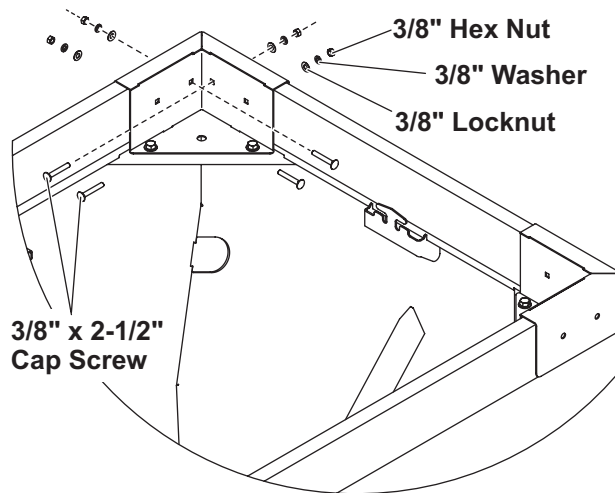
INSTALLATION INSTRUCTIONS

Lumber required: #2 construction grade or better 2 x 6 boards sufficient to fit along all four sides of the hopper top edge.

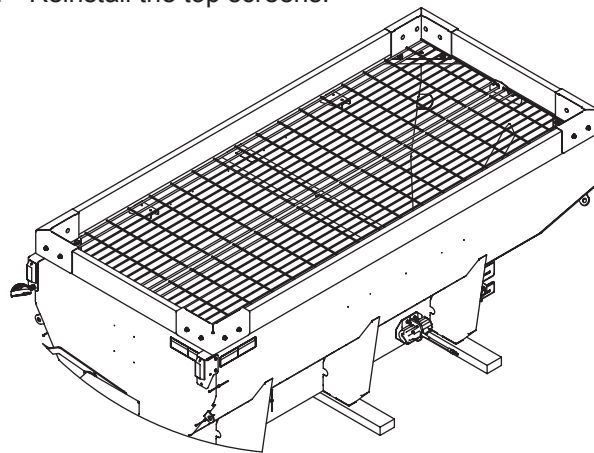
1. Cut two side boards and two end boards to length. Exact lengths depend on hopper dimensions.
2. Park the vehicle on a smooth, level, hard surface, such as concrete. Turn the vehicle ignition OFF and remove the key.
3. Remove the hopper top screens.
4. Position one end board into 2 extension brackets on the hopper top edge. Install the extension brackets to the hopper corner rails using supplied 1/2" cap screws, washers, and locknuts.



5. Insert the side board pieces into the first set of extension brackets.
6. Repeat Step 4 to install the second end board and extension brackets.
7. Using the holes in the brackets as a guide, drill 3/8" holes through the boards.
8. Install the boards to the corner brackets using the supplied 3/8" cap screws, washers, and locknuts.



9. Reinstall the top screens.



Copyright © 2015 Douglas Dynamics, LLC. All rights reserved. This material may not be reproduced or copied, in whole or in part, in any printed, mechanical, electronic, film or other distribution and storage media, without the written consent of the company. Authorization to photocopy items for internal or personal use by the company's outlets or spreader owner is granted.

The company reserves the right under its product improvement policy to change construction or design details and furnish equipment when so altered without reference to illustrations or specifications used. This equipment manufacturer or the vehicle manufacturer may require or recommend optional equipment for spreaders. Do not exceed vehicle ratings with a spreader. The company offers a limited warranty for all spreaders and accessories. See separately printed page for this important information.

Printed in U.S.A.