



## **PRO PLUS<sup>®</sup> Snowplow**

**Blades 76901, 76974, 76980**

**Center Assembly 75700-1**

**Center Assembly, Central Hydraulics 75710-1**

**Parts List**





TABLE OF CONTENTS

---

**PRO PLUS® BLADE COMPONENTS** ..... 4

**PRO PLUS HYDRAULICS, CENTER ASSEMBLY** ..... 6

    Lift Frame and A-Frame Components ..... 6

    Hydraulic Unit Components ..... 8

    Lift and Angle Ram Components..... 10

    Hoses and Fittings ..... 10

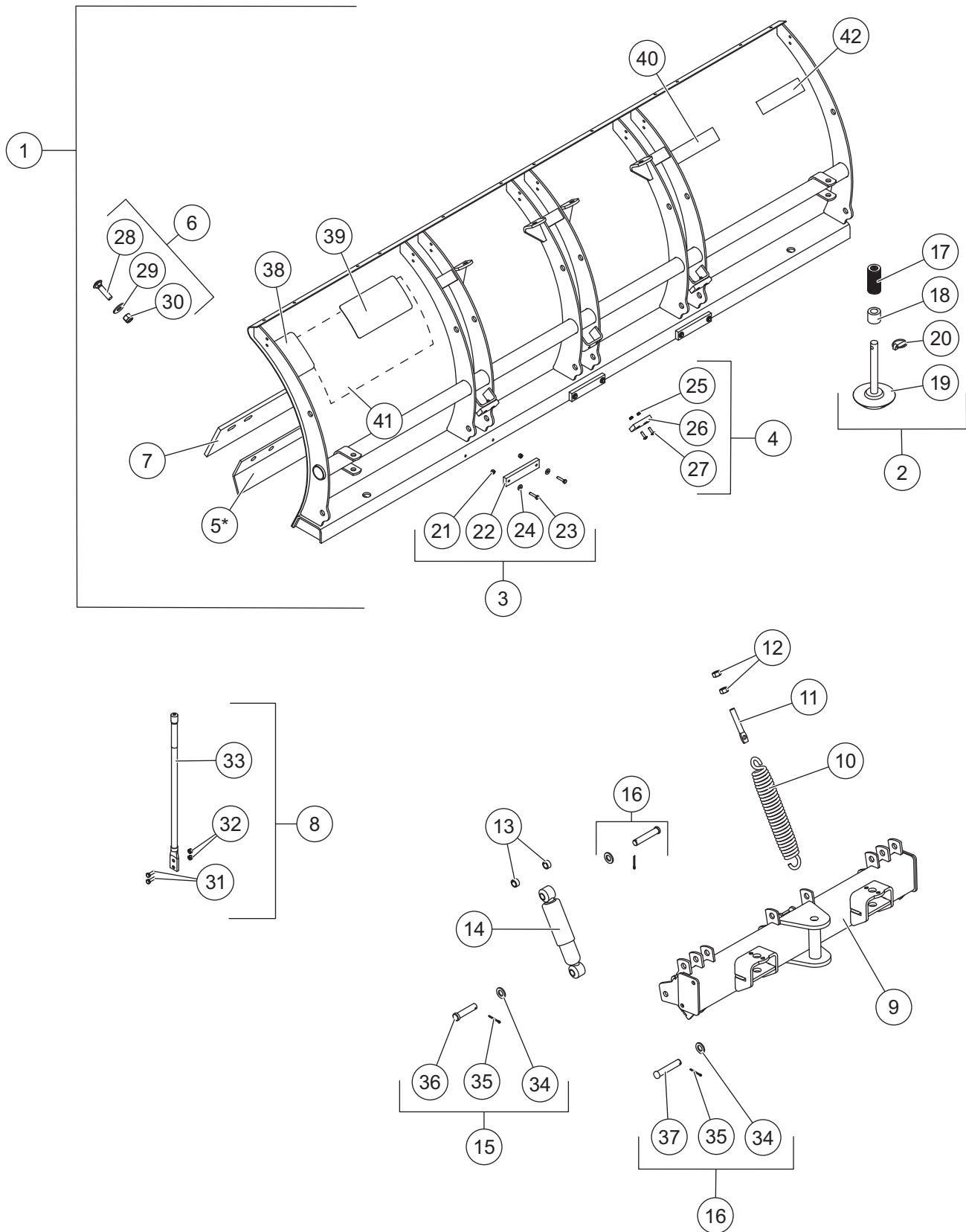
    Electrical Components..... 11

    Vehicle-Side Harness Diagram – 3-Port, 2-Plug System..... 12

    Vehicle-Side Harness Diagram – Central Hydraulics..... 13

    Headlamp Kit ..... 14

Blade Components

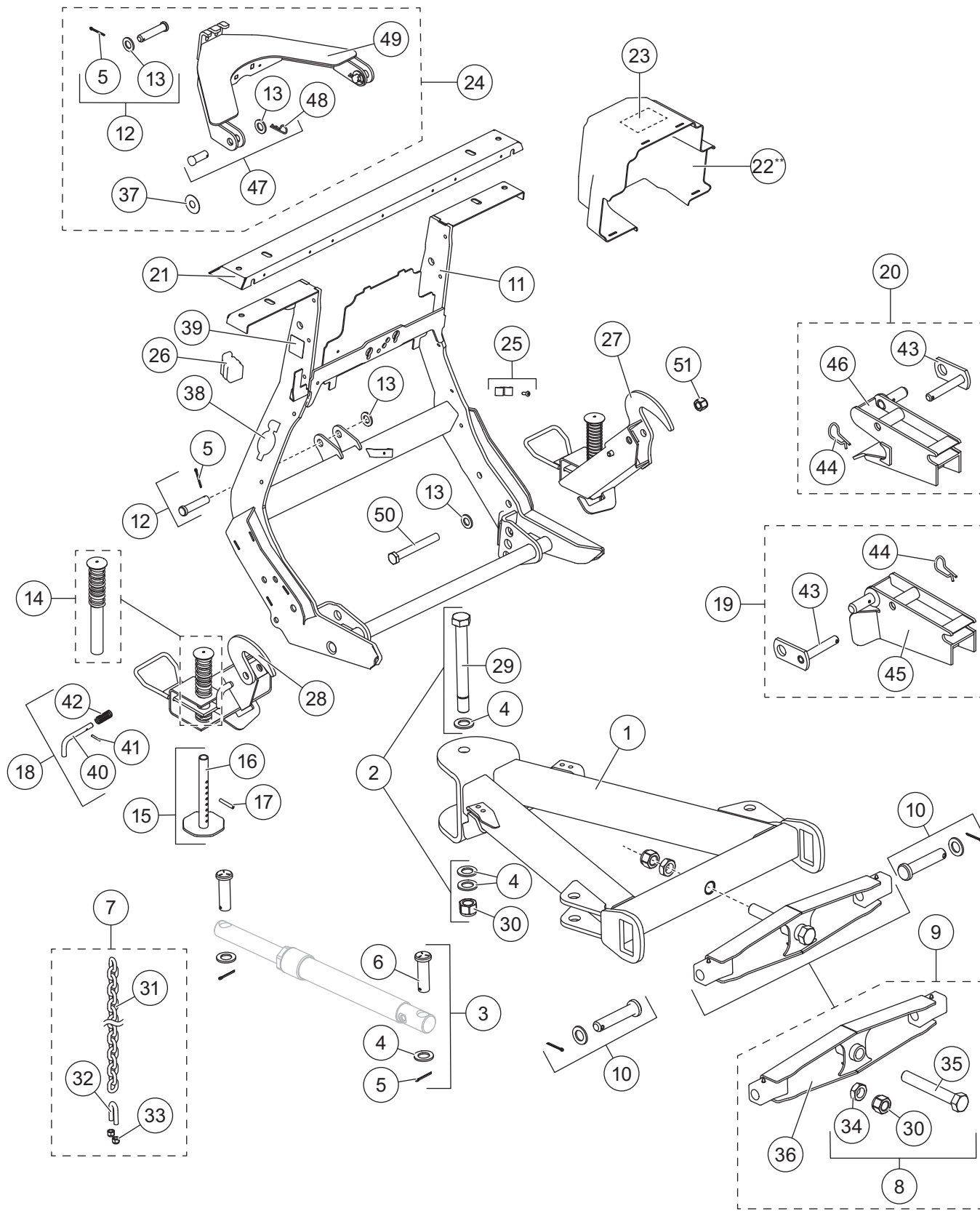


**PRO PLUS® BLADES 76901/76974/76980**

PRO PLUS Blade Components							
Item	Part	Qty	Description	Item	Part	Qty	Description
1	66901		9.0' Blade Assembly	8	62595		Blade Guide Kit
	66974		8.5' Blade Assembly	9	66930-1		Quadrant
	66980		8.0' Blade Assembly	10	23039		Trip Spring
2	49071		Shoe Kit	11	90490		5/8-11 x 4 Eyebolt
3	63977		Trip Stop Kit	12	91416		5/8-11 Hex Nut G5
4	63976		Push Stop Kit	13	63211		Spacer .758 ID x 1 OD x .5 LG
5*	66991		9.0' Back Drag Edge	14	63979		Shock Absorber
	66999		8.5' Back Drag Edge	15	93063K		3/4 x 3-1/4 Clevis Pin Kit
	66892		8.0' Back Drag Edge	16	95335		3/4 x 4 Clevis Pin Kit
6	29351		Cutting/Back Drag Edge Bolt Bag	ns	43359		Label Kit – UltraMount® 2 PRO PLUS Blade
7	63990		9.0' Cutting Edge Kit (incl. item 6)				
	63985		8.5' Cutting Edge Kit (incl. item 6)				
	63980		8.0' Cutting Edge Kit (incl. item 6)				
<b>Item 2 49071 Shoe Kit</b>							
17	91192	29	Round Flat Washer, Special	19		1	Heavy-Duty Disc Shoe
18	60045	1	Spacer	20	93010K	1	7/16 x 1-3/4 Linchpin
<b>Item 3 63977 Trip Stop Kit</b>							
21		2	1/4-20 Hex Locknut G5	23		2	1/4-20 x 1-1/4 Hex Cap Screw G5
22		1	Bumper	24		2	1/4 Flat Washer
<b>Item 4 63976 Push Stop Kit</b>							
25		2	1/4-20 Hex Jam Locknut GB	27		2	1/4-20 x 3/4 Button Cap Screw
26		1	Bumper				
<b>Item 6 29351 Cutting/Back Drag Edge Bolt Bag</b>							
28	63986	10	5/8-11 x 2-1/2 Carriage Bolt G5	30	91337	10	5/8-11 Hex Locknut GB
29	90576	10	5/8 Hardened Flat Washer				
<b>Item 8 62595 Blade Guide Kit</b>							
31	68494	4	5/16-18 x 1 Hex Cap Screw G5	33	62578	2	Blade Guide, Poly 24" w/Label
32	91332	4	5/16-18 Hex Locknut GB				
<b>Item 15 93063K 3/4 x 3-1/4 Clevis Pin Kit</b>							
34	91147	1	3/4 Flat Washer	36		1	3/4 x 3-1/4 Clevis Pin
35	91911K	1	5/32 x 1-1/2 Cotter Pin Kit				
<b>Item 16 95335 3/4 x 4 Clevis Pin Kit</b>							
34	91147	1	3/4 Flat Washer	37		1	3/4 x 4 Clevis Pin
35	91911K	1	5/32 x 1-1/2 Cotter Pin Kit				
<b>43359 Label Kit – UltraMount 2 PRO PLUS Blade</b>							
38	59900	1	Label – Warning/Caution, Snowplows	41	40986	1	Label – Logo, CONTRACTOR GRADE®
39	43360	1	Label – Attach/Detach, UltraMount 2	42	44451	1	Label – Identity, WESTERN® 8.31"
40	28404	1	Label – Logo, ULTRAFINISH™				
ns = not shown				G = Grade			

\* = Accessory only.

Lift Frame and A-Frame Components



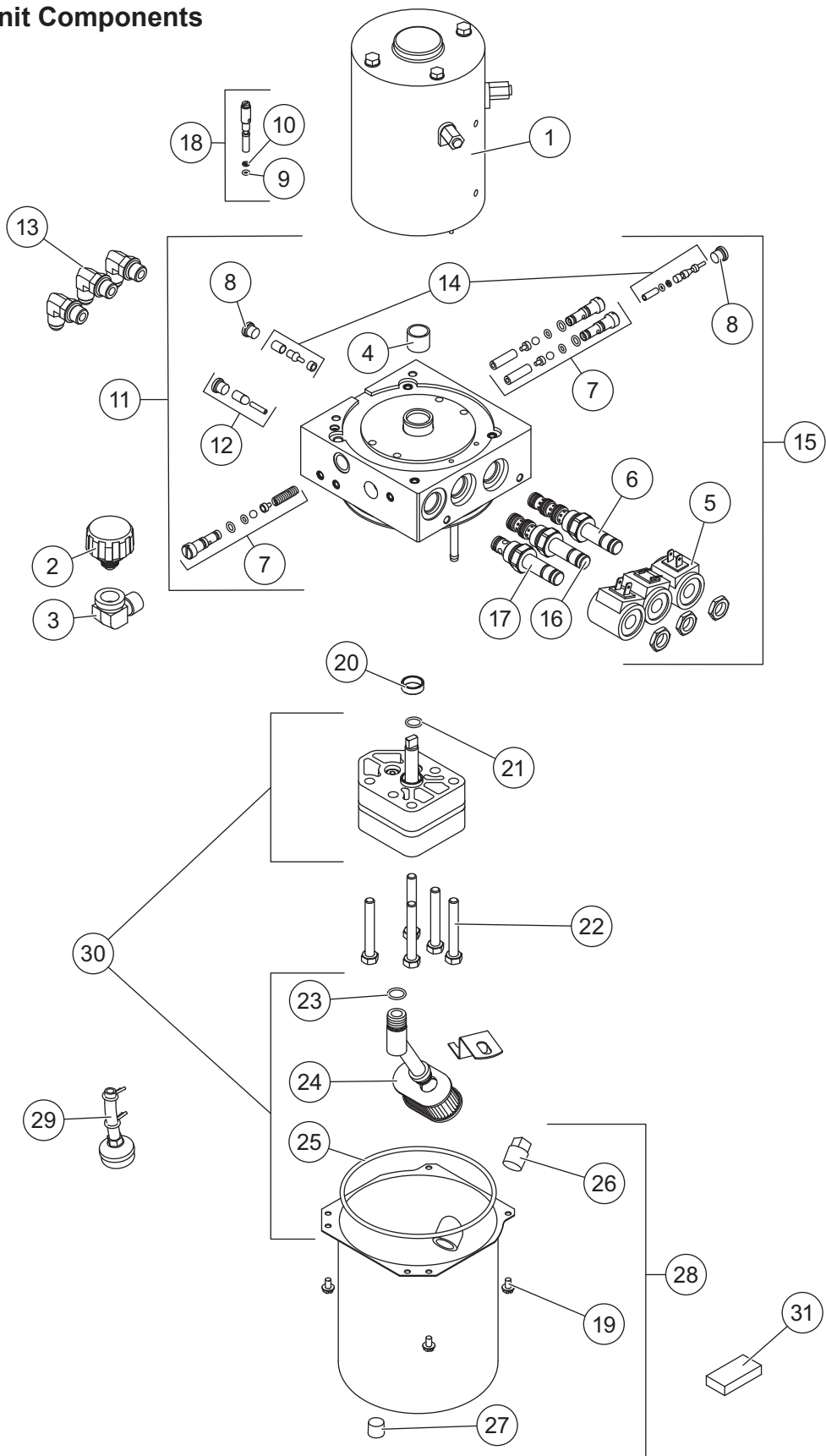
**PRO PLUS® CENTER ASSEMBLY 75700-1/75710-1(CH)**

PRO PLUS Lift Frame and A-Frame Components							
Item	Part	Qty	Description	Item	Part	Qty	Description
1	66920	1	A-Frame	16		2	Stand Shoe
2	63978	1	Pivot Bolt Kit – PP	17	67635	2	1/4 x 2 Roll Pin
3	63973	4	Ram Pin Kit	18	67844	2	Stand Lock Pin Kit
4	91192	7	Round Flat Washer, Special	19	76722	1	Receiver Kit – DS
5	91911K	2	5/32 x 1-1/2 Cotter Pin Kit (pkg of 4)	20	76718	1	Receiver Kit – PS
6	93074	4	1 x 3-1/4 Clevis Pin	21	43302	1	Light Channel
7	49033	2	1/4 Grade 43 Chain Assembly	22**	68314-1	1	Hydraulic Unit Cover (incl. item 23)
8	67855	1	Pivot Bolt Kit	23	43353	1	Label – Hydraulic Information, Straight Blade
9	67842-1	1	Pivot Bar Kit	24	43304	1	Lift Arm Kit
10	49645	2	Pivot Bar Pin Kit	25	49479-1	1	Hose Bracket Kit
11	86760	1	Lift Frame Kit	26	61246	1	Cable Boot
12	68740	2	3/4 x 3-1/2 Clevis Pin Kit	27	72618	1	Stand Assembly – DS
13	91147	4	3/4 Flat Washer	28	72617	1	Stand Assembly – PS
14	48523	2	Plunger w/Spring				
15	67847	2	Stand Shoe Kit				
<b>Item 2</b>				<b>63978 Pivot Bolt Kit – PP</b>			
4	91192	3	Round Flat Washer, Special	30	91340	1	1-8 Hex Locknut GB
29		1	1-8 x 9 Hex Cap Screw G5				
<b>Item 7</b>				<b>49033 1/4 Grade 43 Chain Assembly (2 per snowplow)</b>			
31		1	1/4 x 42 Grade 43 Chain	33	91333	2	3/8-16 Hex Locknut GB
32	90453	1	3/8-16 x 1-1/2 U-Bolt G5	ns		1	Plastic Tube
<b>Item 8</b>				<b>67855 Pivot Bolt Kit</b>			
30	91340	1	1-8 Hex Locknut GB	35	67552	1	1-8 x 7 Hex Cap Screw G5
34	67748	1	1-8 Hex Jam Nut G5				
<b>Item 9</b>				<b>67842-1 Pivot Bar Kit</b>			
8	67855	1	Pivot Bolt Kit	36		1	Pivot Bar
<b>Item 11</b>				<b>86760 Lift Frame Kit</b>			
		1	Lift Frame	38	43358	2	Label – Identity, UltraMount® 2
27		1	Stand Assembly – DS	39**	69689	1	Label – Logo, SECURITY GUARD™
28		1	Stand Assembly – PS	ns	79160	1	Parts Bag, Stands
37		2	UHMW Round Flat Washer, Special				
<b>Item 18</b>				<b>67844 Stand Lock Pin Kit</b>			
40		1	Lock Pin	42	67726	1	Spring Lock Pin, Stand
41	67700	1	3/16 x 1-1/4 Roll Pin				
<b>Item 19</b>				<b>76722 Receiver Kit – DS</b>			
43	42498	1	Receiver Pin	45		1	Receiver – DS
44	91965K-1	1	5/32 Hairpin Cotter				
<b>Item 20</b>				<b>76718 Receiver Kit – PS</b>			
43	42498	1	Receiver Pin	46		1	Receiver – PS
44	91965K-1	1	5/32 Hairpin Cotter				
<b>Item 24</b>				<b>43304 Lift Arm Kit</b>			
5	91911K	1	5/32 x 1-1/2 Cotter Pin Kit (pkg of 4)	47	43351	2	3/4 x 2 Clevis Pin Kit
12	68740	1	3/4 x 3-1/2 Clevis Pin Kit	48	91962	2	1/8 Hairpin Cotter
13	91147	3	3/4 Flat Washer	49		1	Lift Arm
37		2	UHMW Round Flat Washer, Special				
				<b>79160 Parts Bag, Stands</b>			
13		2	3/4 Flat Washer	51		2	3/4-10 Hex Locknut GB
50		2	3/4-10 x 6 Hex Cap Screw G5				
ns = not shown				G = Grade			

\*\* Not used for central hydraulics.

PRO PLUS® CENTER ASSEMBLY 75700-1

Hydraulic Unit Components





**PRO PLUS® CENTER ASSEMBLY 75700-1**

<b>42345-1 Hydraulic Unit</b> <b>42348-1* Hydraulic Unit Service Kit</b> (Not used for central hydraulics)							
Item	Part	Qty	Description	Item	Part	Qty	Description
1	21500-1	1	Motor, 4-1/2"	17	49227K-2	1	Valve, 2-Way w/Nut
2	21727-2K	1	Breather Pressure Control	18	56662	1	Quill Assembly
3	21726K	1	Elbow, Street 90° 3/8 M NPTF/ 3/8 F NPTF	19	66607	4	#10-24 x 5/16 Slotted Hex Washer-Head Machine Screw
4**	64596-1	1	Sleeve Bearing & Shaft Seal Kit	20†	66515	1	Pump Shaft Seal
5	49230K-2	3	Coil w/Spades	21	56274	1	O-Ring -013
6	49229K-1	1	Cartridge Valve, 4-Way w/Nut	22	90073	5	5/16-18 x 2-1/4 Hex Cap Screw
7	49138K-4	1	Relief Valve Kit (2 sets)	23	56416	1	O-Ring -014
8	92960	2	Plug, Hex Socket –3 M ORB	24	56789-4	1	Suction Filter
9	25622	1	O-Ring -006	25	66519	1	O-Ring 2-250
10	56315	1	Back-Up O-Ring -006	26	92079	1	Plug, Square 3/8 NPTF
11	42346-1	1	Manifold Assembly	27	92095	1	Plug, Hex Socket 1/4 NPTF w/Thread Sealant – SAE 130109N/P
12	56507	1	Bypass Check Valve Kit	28	21830	1	Reservoir Kit
13	56615-1	3	Elbow, 90° –6 M JIC/–6 M ORB	29	66405	1	Return Screen Assembly
14	49226K	1	Poppet Check Valve Kit	30	21501-1	1	Hydraulic Pump Kit
15	42347-1	1	Valve Manifold Assembly	31	73897	1	Magnet
16	66608-1	1	Cartridge Valve, 3-Way w/Nut				
O-Ring Service Kits							
–	56657-5	–	O-Ring & Back-Up Ring Kit	–	49259-2	–	Seal Kit, 3-Way & 4-Way Valve
–	49258-2	–	Seal Kit, 2-Way Valve				
F = Female				M = Male			

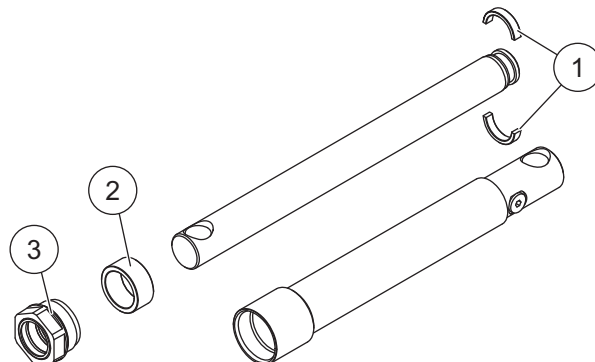
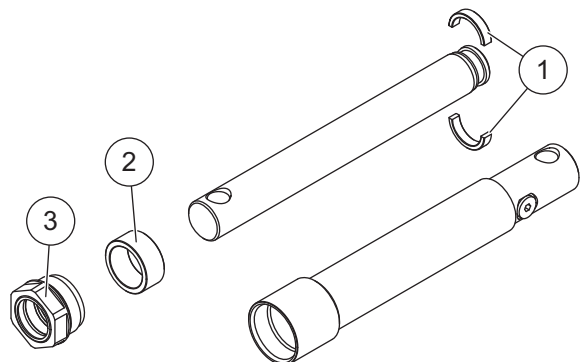
\* Includes 42345 hydraulic unit and plow-side electrical components (p. 11).

\*\* Use 64589 tool for bearing sleeve replacement (includes 1 bearing).

† Use 28856 tool for pump shaft seal replacement (includes 1 seal).

PRO PLUS® CENTER ASSEMBLY 75700-1/75710-1(CH)

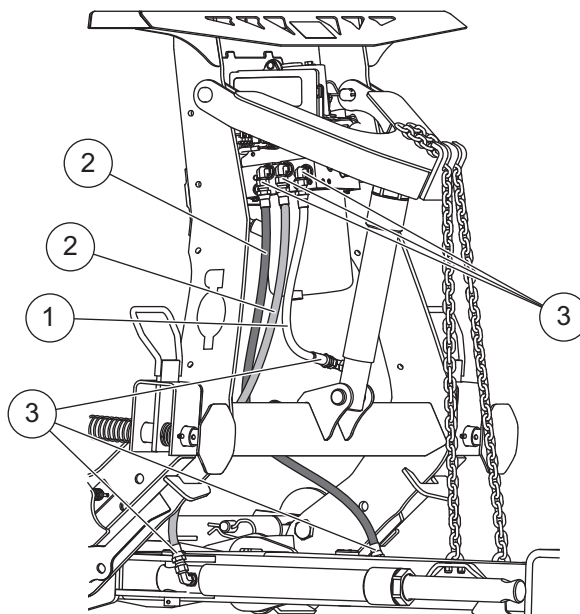
Lift and Angle Ram Components



56538K Lift Ram Assembly 1-1/2 x 8			
Item	Part	Qty	Description
1	64650	1	Split Bearing Kit 1-1/2"
2	56537	1	Spacer
3	48985	1	Gland Nut Assembly

64148 Angle Ram Assembly 1-1/2 x 12			
Item	Part	Qty	Description
1	64650	1	Split Bearing Kit 1-1/2"
2	56537	1	Spacer
3	48985	1	Gland Nut Assembly

Hoses and Fittings

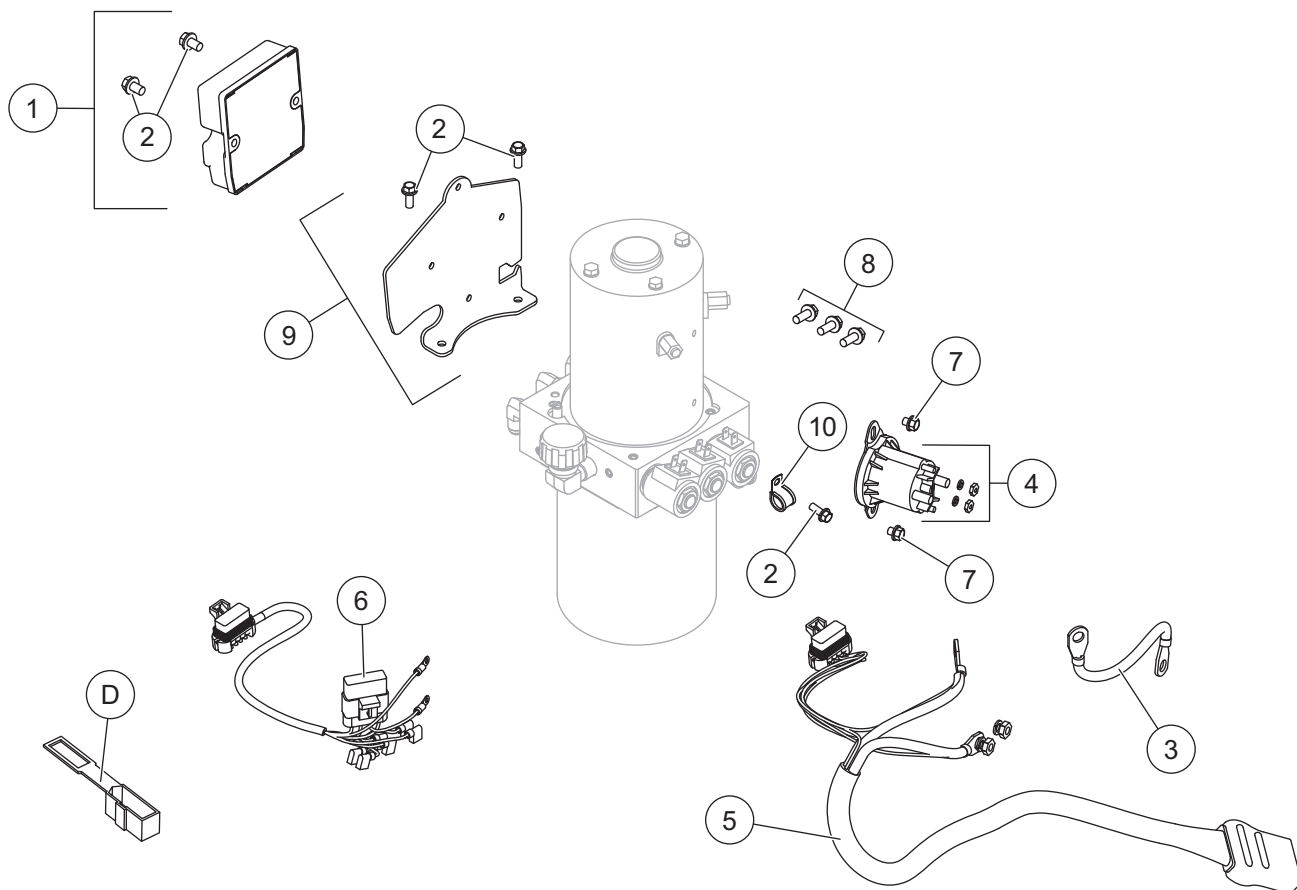


Hoses and Fittings						
Item	Part	Qty	Description	Item	Part	Qty Description
1†	41094	1	Hose, 1/4 x 18 w/F JIC Ends	3	56615-1	6 Elbow, 90° -6 M JIC/-6 M ORB
2†	49496	2	Hose, 3/8 x 42 w/F JIC Ends			
			F = Female	M = Male		

† Not used for central hydraulics.

PRO PLUS® CENTER ASSEMBLY 75700-1/75710-1(CH)

Electrical Components



Plow-Side Electrical Components							
Item	Part	Qty	Description	Item	Part	Qty	Description
1	49567	1	Plow Module, 2-Port	7	29099	2	1/4-20 x 1/4 Hex Washer-Head Thread-Rolling Screw
2	44355	5	1/4-20 x 5/8 Hex Washer-Head Thread-Rolling Screw	8	72384	3	3/8-16 x 1 Serrated Flange Cap Screw
3	29071	1	Cable Assembly, 8"	9	42287	1	Bracket – Plow Module
4	42902	1	Motor Relay Kit FLEET FLEX System	10	65340	1	Clamp Loop #10
5	42015	1	Snowplow Battery Cable	ns	56099	1	Dielectric Grease
6	28581-1	1	Harness Plow Control, 3-Solenoid				

ns = not shown

Vehicle-Side Electrical Components (Diagrams on following pages)							
A†	28587	1	Vehicle Control Harness	D	61548K	1	Plug Cover Kit (shown with plow-side electrical components)
B†	42014	1	Vehicle Battery Cable	E	29998	1	Fuse Cover (pkg of 5)
C**	26498	1	Vehicle Control Harness – Central Hydraulics				

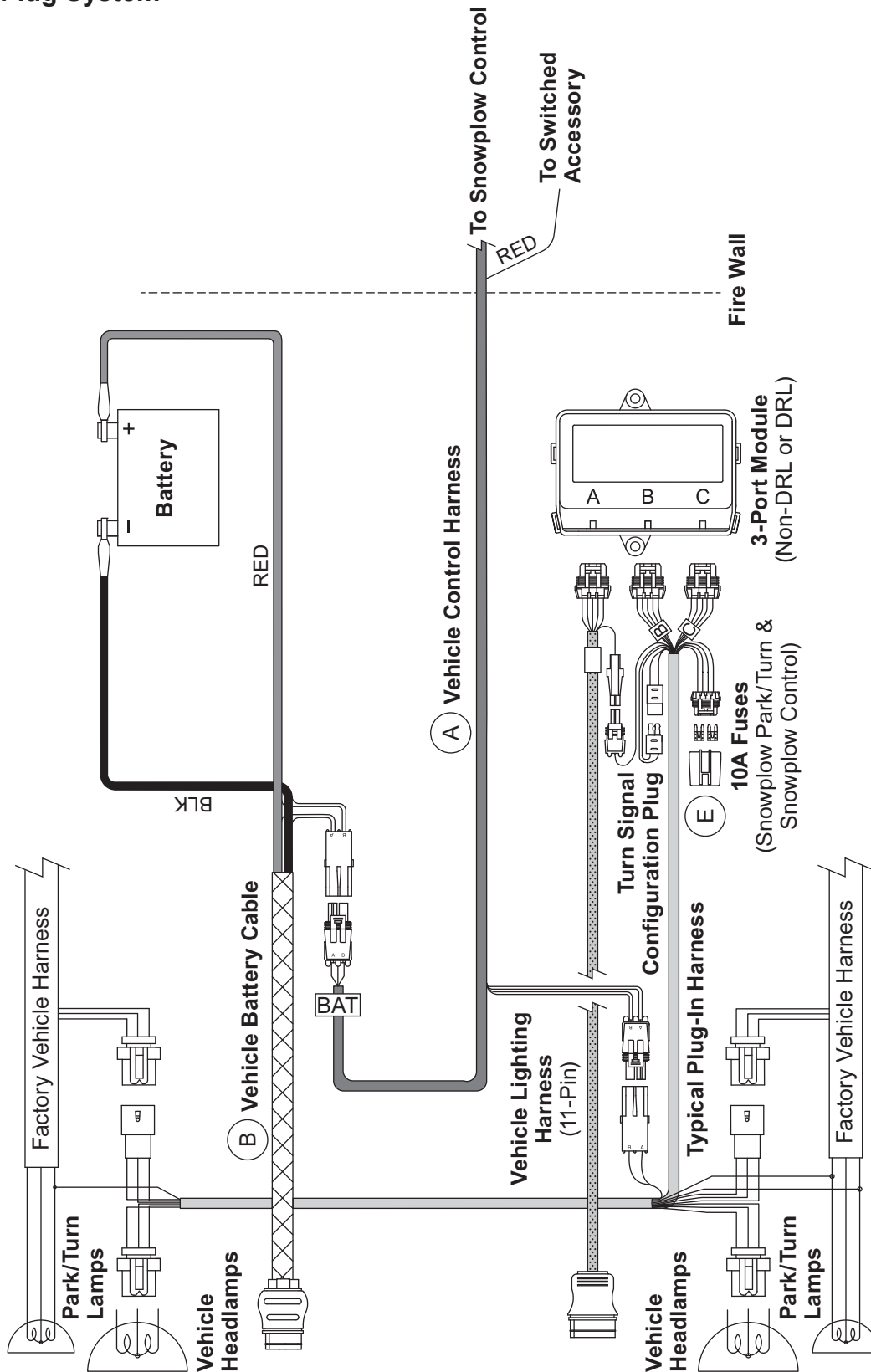
\* For diagram, see Vehicle-Side Harness Diagram – 3-Port, 2-Plug System.

\*\* For diagram, see Vehicle-Side Harness Diagram – Central Hydraulics.

† Not used for central hydraulics.

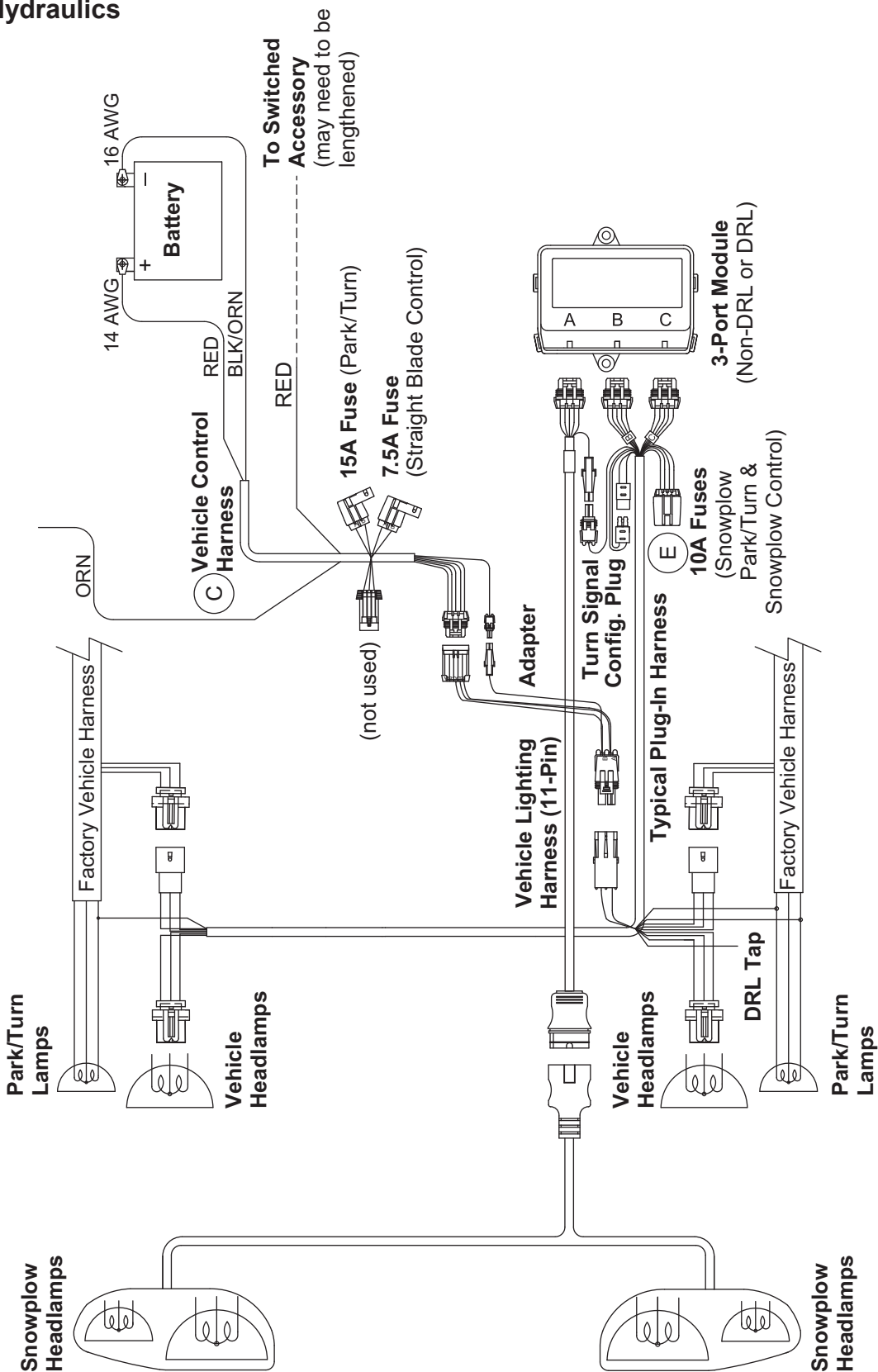
PRO PLUS® CENTER ASSEMBLY 75700-1

Vehicle-Side Harness Diagram  
3-Port, 2-Plug System



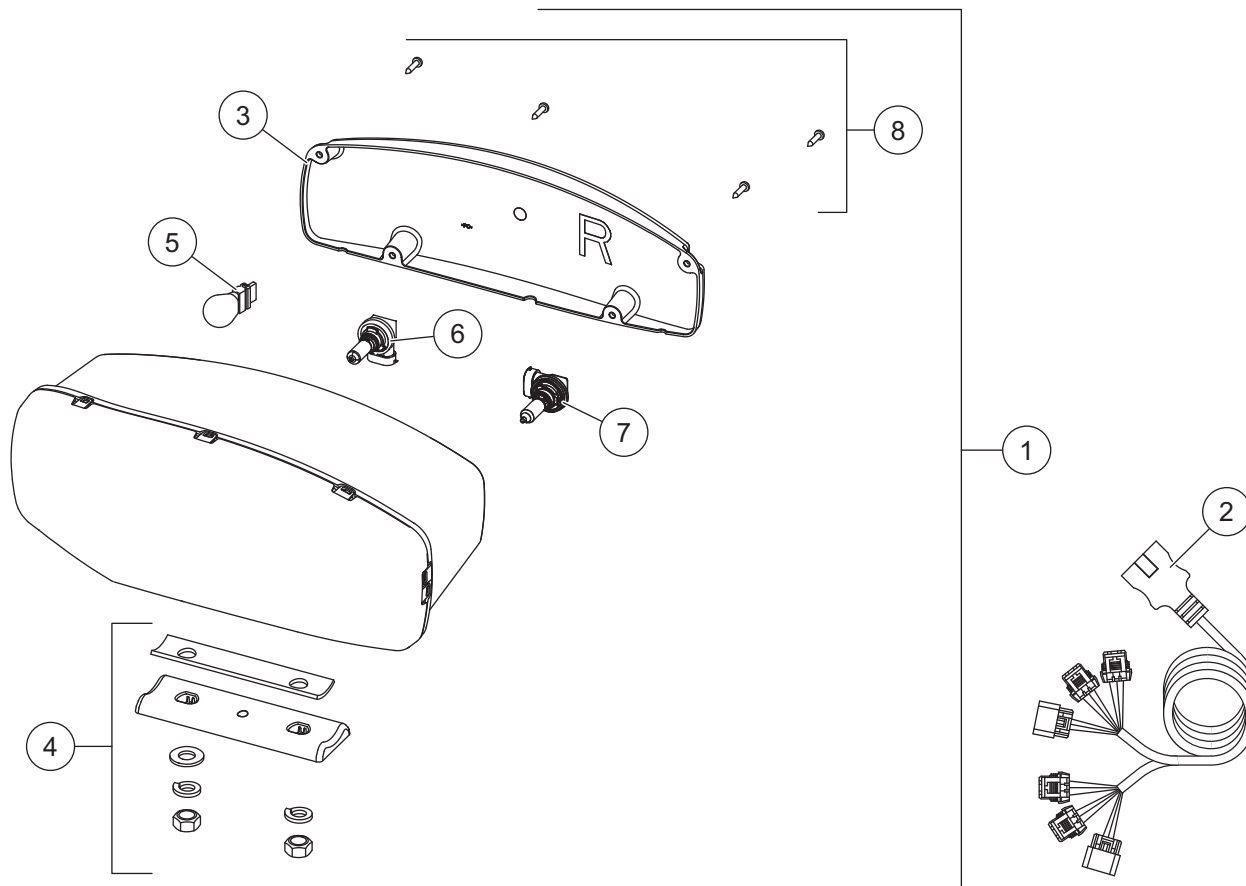
PRO PLUS® CENTER ASSEMBLY 75710-1(CH)

Vehicle-Side Harness Diagram  
Central Hydraulics



PRO PLUS® CENTER ASSEMBLY 75700-1/75710-1(CH)

Headlamp Kit



38800 Headlamp Kit H9/H11 (Pair)							
Item	Part	Qty	Description	Item	Part	Qty	Description
1	38802	1	Headlamp Service Kit H9/H11 – PS	2	38807	1	Harness Service Kit H9/H11
ns	38801	1	Headlamp Service Kit H9/H11 – DS				
<b>Item 1</b>				<b>38801/38802 Headlamp Service Kit H9/H11 PS/DS</b>			
3	38803	1	Rear Cover Kit H9/H11 – PS	6	38811	1	Headlamp Bulb Service Kit H11
ns	38812	1	Rear Cover Kit H9/H11 – DS	7	38809	1	Headlamp Bulb Service Kit H9
4	38804	1	Mounting Hardware Kit H9/H11	8	38808	1	Cover Screws Service Kit H9/H11 (pkg of 4)
5		1	Park/Turn Bulb (trade no. 4157NAK)				
ns = not shown							





Western Products  
PO Box 245038  
Milwaukee, WI 53224-9538  
[www.westernplows.com](http://www.westernplows.com)

 A DIVISION OF DOUGLAS DYNAMICS, LLC

Copyright © 2019 Douglas Dynamics, LLC. All rights reserved. This material may not be reproduced or copied, in whole or in part, in any printed, mechanical, electronic, film, or other distribution and storage media, without the written consent of Western Products. Authorization to photocopy items for internal or personal use by Western Products outlets or snowplow owner is granted.

Western Products reserves the right under its product improvement policy to change construction or design details and furnish equipment when so altered without reference to illustrations or specifications used. Western Products or the vehicle manufacturer may require or recommend optional equipment for snow removal. Do not exceed vehicle ratings with a snowplow. Western Products offers a limited warranty for all snowplows and accessories. See separately printed page for this important information. The following are registered (®) or unregistered (™) trademarks of Douglas Dynamics, LLC: CONTRACTOR GRADE®, PRO PLUS®, SECURITY GUARD™, ULTRAFINISH™, UltraMount® 2, WESTERN®.

Printed in U.S.A.