



**8100, 8611**

**POWER PLOW™ Snowplow**

**Blade Assembly 77750, 77755**

**Big Box Assembly 77850-1**

**Parts List**





TABLE OF CONTENTS

---

**8100/8611 POWER PLOW™ BLADE ASSEMBLIES** ..... 4

    8100 Blade Components ..... 4

    8611 Blade Components ..... 6

**A-FRAME ASSEMBLY** ..... 8

**HEADGEAR ASSEMBLY** ..... 10

**HYDRAULIC AND ELECTRICAL COMPONENTS** ..... 12

    Hydraulic Unit Components ..... 12

    Lift and Angle Rams Components ..... 14

    Hoses and Fittings ..... 15

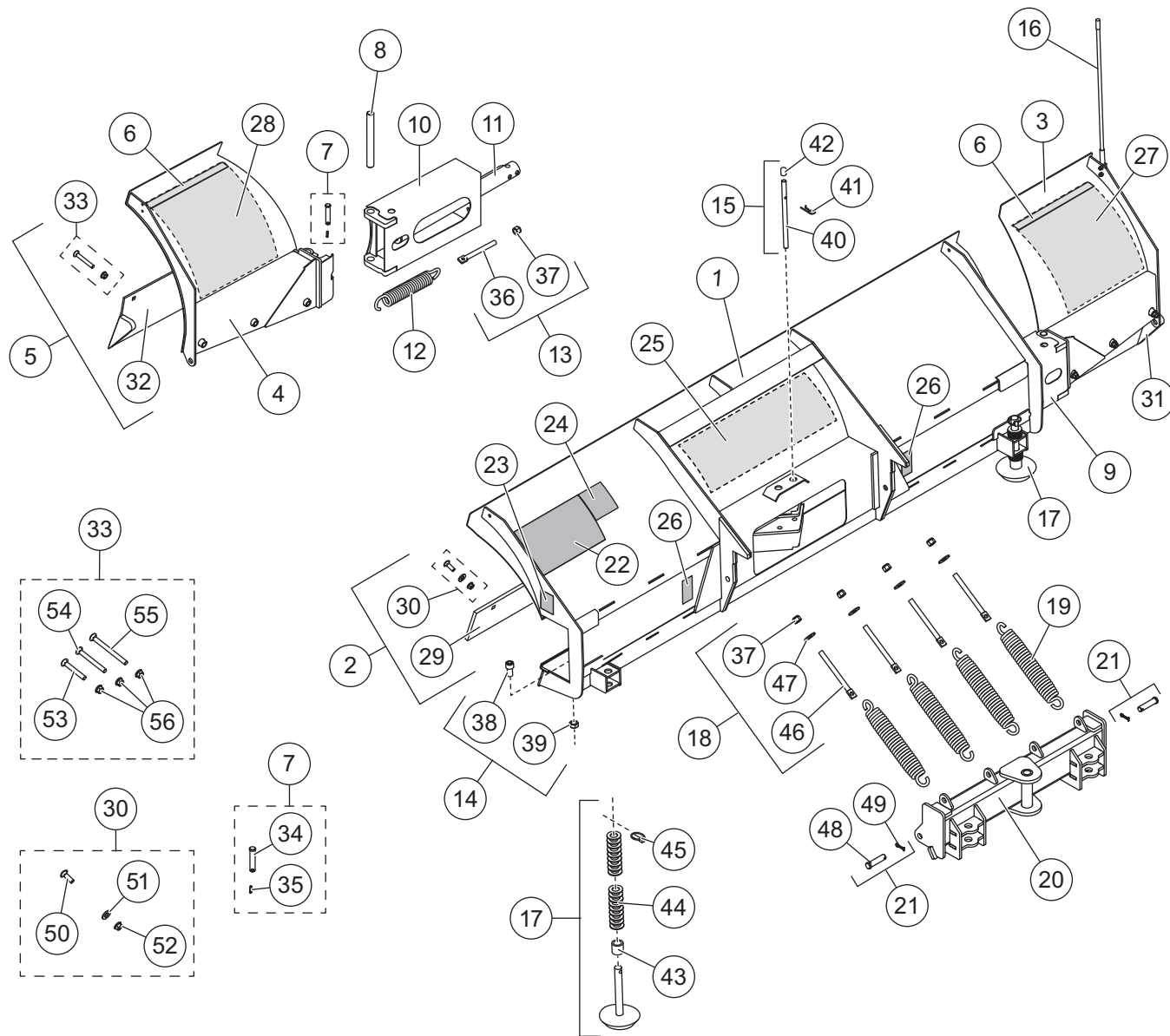
    Electrical Components ..... 16

**VEHICLE-SIDE HARNESS DIAGRAM** ..... 17

**HEADLAMPS** ..... 18

# 8100 POWER PLOW™ BLADE ASSEMBLY

## 8100 Blade Components



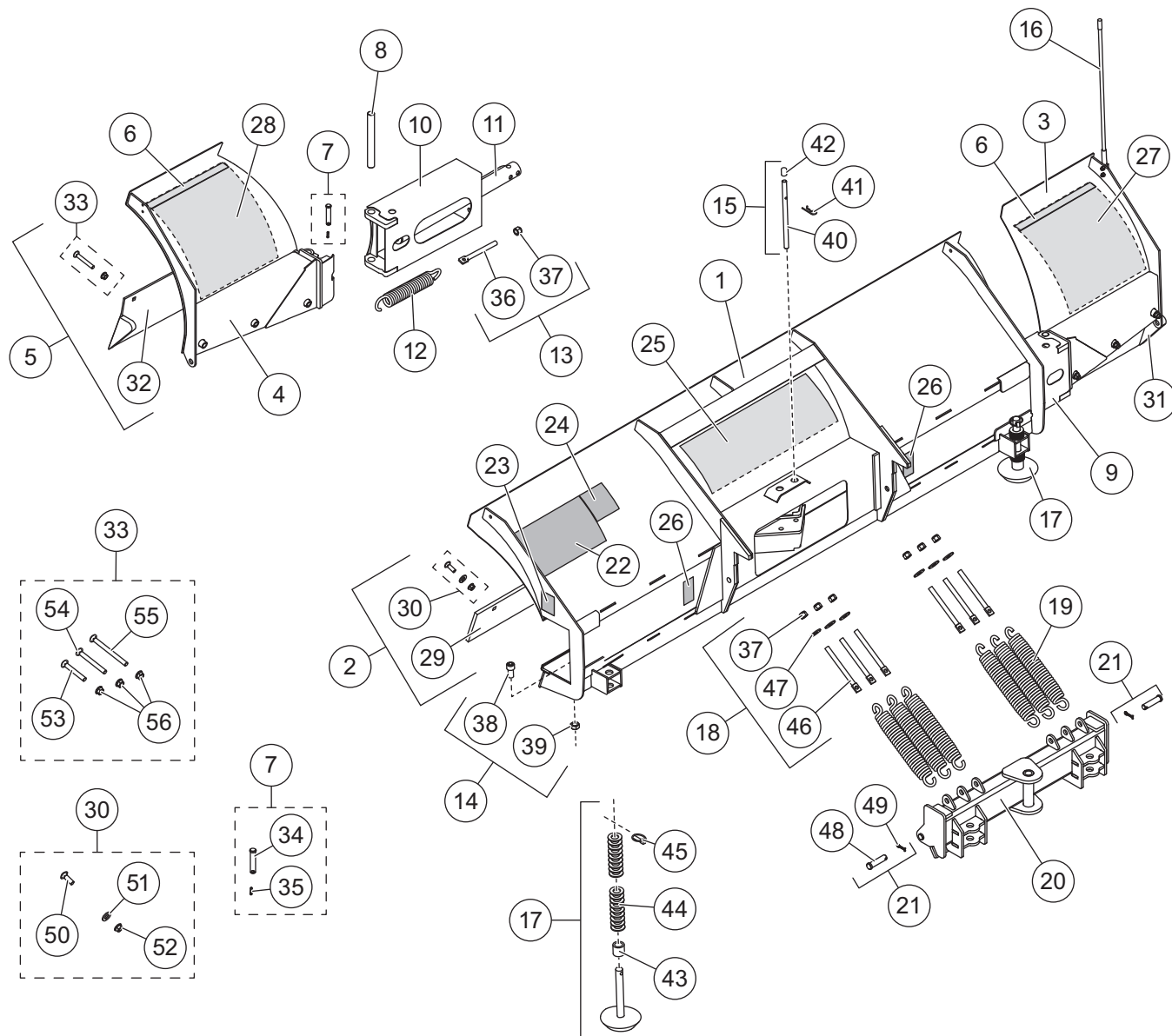
**8100 POWER PLOW™ BLADE ASSEMBLY**

77750 Blade Components							
Item	Part	Qty	Description	Item	Part	Qty	Description
1	84568	1	Moldboard	16	84525	1	24" Poly Blade Guide Kit (set of 2)
ns	84784	1	Service Moldboard Assembly (items 1, 2-17, 22-28)	ns*	84477	1	36" Poly Blade Guide Kit (set of 2)
2	B52067	1	Moldboard Cutting Edge Kit	17	49071	2	Disc Shoe Assembly
3	84655	1	Blade Wing PP 8100 – PS	18	41132	4	5/8-11 x 7-3/8 Eyebolt Kit
4	84654	1	Blade Wing PP 8100 – DS	19	23039	4	Trip Spring
5	B51104	1	Wing Cutting Edge Kit – DS & PS	20	84578	1	Quadrant 8100 PP
6	50639	2	Wear Strip – Wing Top	21	41123	2	Quadrant Pin Kit
7	84683	2	Wing Pin Kit	22	52203	1	Label – Automatixx® Attach/Detach
8	B55042	2	Wing Pivot Pin	23	29593	4	Label – Multiple Pinch Points
9	84659	1	Slide Box – PS	24	59900	1	Label – Warning/Caution, Snowplows
10	84658	1	Slide Box – DS	25	77708	1	Label – POWER PLOW Center Blade
11	43803	2	Ram Assembly 1-1/2 x 13-15/16 DA	26	29256	2	Label – Foot Crush Hazard
ns	43794	2	Seal Kit, Ram Assembly 43803	ns	84644	1	Blade Label Kit, 8100 POWER PLOW (items 22-26)
12	B61167	2	3/8 x 2-5/8 x 12-1/2 Extension Spring	27	77709	1	Wing Label – PS
13	84661	2	Slide Box Eyebolt Kit	28	77711	1	Wing Label – DS
14	84662	2	Slide Box Bolt Kit	ns	77729	1	Wing Labels Kit 8100 (items 27 & 28)
15	84663	2	Slide Box Pin Kit	ns*	84519	1	Rubber Snow Deflector w/Hardware
<b>Item 2 B52067 Moldboard Cutting Edge Kit</b>							
29		1	1/2" Moldboard Cutting Edge	30	B61255	1	Cutting Edge Bolt Kit
<b>Item 5 B51104 Wing Cutting Edge Kit – DS &amp; PS</b>							
31	B51047	1	Wing Cutting Edge – PS	33	B61431	1	PP Wing Cutting Edge Bolt Kit
32	B51048	1	Wing Cutting Edge – DS				
<b>Item 7 84683 Wing Pin Kit</b>							
34		1	5/8 x 3 Clevis Pin	35		1	1/4 x 1-1/2 Cotter Pin
<b>Item 13 84661 Slide Box Eyebolt Kit</b>							
36		1	5/8-11 x 4-3/8 Spade Bolt	37		1	5/8-11 Hex Locknut GB
<b>Item 14 84662 Slide Box Bolt Kit</b>							
38		1	3/4-10 x 1-1/2 Socket Head Cap Screw	39		1	3/4-10 Hex Locknut G8
<b>Item 15 84663 Slide Box Pin Kit</b>							
40		1	Slide Box Extend/Retract Pin	42		1	5/8 ID, 3/4 OD x 1" Black Vinyl Cap
41		1	1/8 x 2-5/8 Hairpin Cotter				
<b>Item 17 49071 Disc Shoe Assembly</b>							
43	60045	1	1-1/8 ID, 1-5/8 OD x 1-1/2 Spacer	45	93010	1	7/16 x 1-3/4 Linchpin
44	91192	24	1" Flat Washer Special				
<b>Item 18 41132 5/8-11 x 7-3/8 Eyebolt Kit</b>							
37		1	5/8-11 Hex Locknut GB	47		1	5/8 Hardened Flat Washer
46		1	5/8-11 x 7-3/8 Spade Bolt				
<b>Item 21 41123 Quadrant Pin Kit</b>							
48		1	3/4 x 3 Clevis Pin G8	49		1	1/4 x 1-1/2 Cotter Pin
<b>Item 30 B61255 Cutting Edge Bolt Kit</b>							
50		7	1/2-13 x 1-3/4 Carriage Bolt G8	52		7	1/2-13 Hex Locknut GB
51		7	1/2 Hardened Flat Washer				
<b>Item 33 B61431 PP Wing Cutting Edge Bolt Kit</b>							
53		2	1/2-13 x 3-1/2 Carriage Bolt G8	55		2	1/2-13 x 5-3/4 Carriage Bolt G8
54		2	1/2-13 x 4-1/2 Carriage Bolt G8	56		6	1/2-13 Flanged Locknut
ns = not shown				G = Grade			

\* = Accessory Only

# 8611 POWER PLOW™ BLADE ASSEMBLY

## 8611 Blade Components



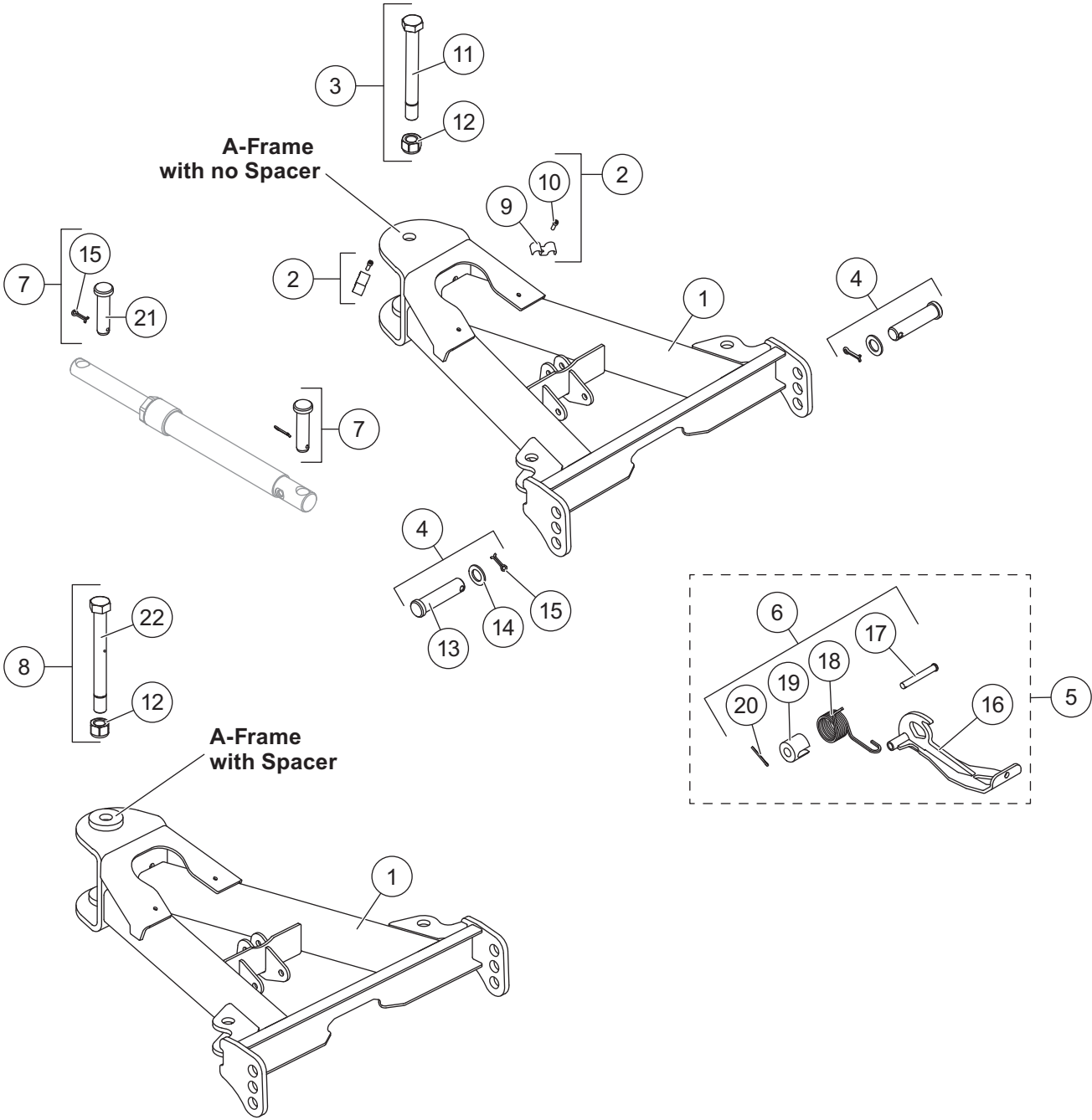
## 8611 POWER PLOW™ BLADE ASSEMBLY

77755 Blade Components							
Item	Part	Qty	Description	Item	Part	Qty	Description
1	84569	1	Moldboard	16	84525	1	24" Poly Blade Guide Kit (set of 2)
ns	84809	1	Service Moldboard Assembly (items 1, 2–17, 22–28)	ns*	84477	1	36" Poly Blade Guide Kit (set of 2)
2	B52095	1	Moldboard Cutting Edge Kit	17	49071	2	Disc Shoe Assembly
3	84657	1	Blade Wing PP 8611 – PS	18	41132	6	5/8-11 x 7-3/8 Eyebolt Kit
4	84656	1	Blade Wing PP 8611 – DS	19	23039	6	Trip Spring
5	B61687	1	Wing Cutting Edge Kit – DS & PS	20	84579	1	Quadrant 8611 PP
6	50639	2	Wear Strip – Wing Top	21	41123	2	Quadrant Pin Kit
7	84683	2	Wing Pin Kit	22	52203	1	Label – Automatixx® Attach/Detach
8	B55042	2	Wing Pivot Pin	23	29593	4	Label – Multiple Pinch Points
9	84659	1	Slide Box – PS	24	59900	1	Label – Warning/Caution, Snowplows
10	84658	1	Slide Box – DS	25	77708	1	Label – POWER PLOW Center Blade
11	43802	2	Ram Assembly 1-3/4 x 18-7/16 DA	26	29256	2	Label – Foot Crush Hazard
ns	43793	2	Seal Kit, Ram Assembly 43802	ns	84645	1	Blade Label Kit, 8611 POWER PLOW (items 22–26)
12	B61167	2	3/8 x 2-5/8 x 12-1/2 Extension Spring	27	77713	1	Label – POWER PLOW Wing, PS
13	84661	2	Slide Box Eyebolt Kit	28	77712	1	Label – POWER PLOW Wing, DS
14	84662	2	Slide Box Bolt Kit	ns	77731	1	Wing Labels Kit 8611 (items 27 & 28)
15	84663	2	Slide Box Pin Kit	ns*	84520	1	Rubber Snow Deflector w/Hardware
<b>Item 2 B52095 Moldboard Cutting Edge Kit</b>							
29		1	1/2" Moldboard Cutting Edge	30	B61255	1	Cutting Edge Bolt Kit
<b>Item 5 B61687 Wing Cutting Edge Kit – DS &amp; PS</b>							
31	B55007	1	Wing Cutting Edge – PS	33	B61431	1	PP Wing Cutting Edge Bolt Kit
32	B55006	1	Wing Cutting Edge – DS				
<b>Item 7 84683 Wing Pin Kit</b>							
34		1	5/8 x 3 Clevis Pin	35		1	1/4 x 1-1/2 Cotter Pin
<b>Item 13 84661 Slide Box Eyebolt Kit</b>							
36		1	5/8-11 x 4-3/8 Spade Bolt	37		1	5/8-11 Hex Locknut GB
<b>Item 14 84662 Slide Box Bolt Kit</b>							
38		1	3/4-10 x 1-1/2 Socket Head Cap Screw	39		1	3/4-10 Hex Locknut G8
<b>Item 15 84663 Slide Box Pin Kit</b>							
40		1	Slide Box Extend/Retract Pin	42		1	5/8 ID x 3/4 OD x 1 Black Vinyl Cap
41		1	1/8 x 2-5/8 Hairpin Cotter				
<b>Item 17 49071 Disc Shoe Assembly</b>							
43	60045	1	1-1/8 ID, 1-5/8 OD x 1-1/2 Spacer	45	93010	1	7/16 x 1-3/4 Linchpin
44	91192	24	1" Flat Washer Special				
<b>Item 18 41132 5/8-11 x 7-3/8 Eyebolt Kit</b>							
37		1	5/8-11 Hex Locknut GB	47		1	5/8 Hardened Flat Washer
46		1	5/8-11 x 7-3/8 Spade Bolt				
<b>Item 21 41123 Quadrant Pin Kit</b>							
48		1	3/4 x 3 Clevis Pin G8	49		1	1/4 x 1-1/2 Cotter Pin
<b>Item 30 B61255 Cutting Edge Bolt Kit</b>							
50		7	1/2-13 x 1-3/4 Carriage Bolt G8	52		7	1/2-13 Hex Locknut GB
51		7	1/2 Hardened Flat Washer				
<b>Item 33 B61431 PP Wing Cutting Edge Bolt Kit</b>							
53		2	1/2-13 x 3-1/2 Carriage Bolt G8	55		2	1/2-13 x 5-3/4 Carriage Bolt G8
54		2	1/2-13 x 4-1/2 Carriage Bolt G8	56		6	1/2-13 Flanged Locknut
ns = not shown				G = Grade			

\* = Accessory Only

# A-FRAME ASSEMBLY

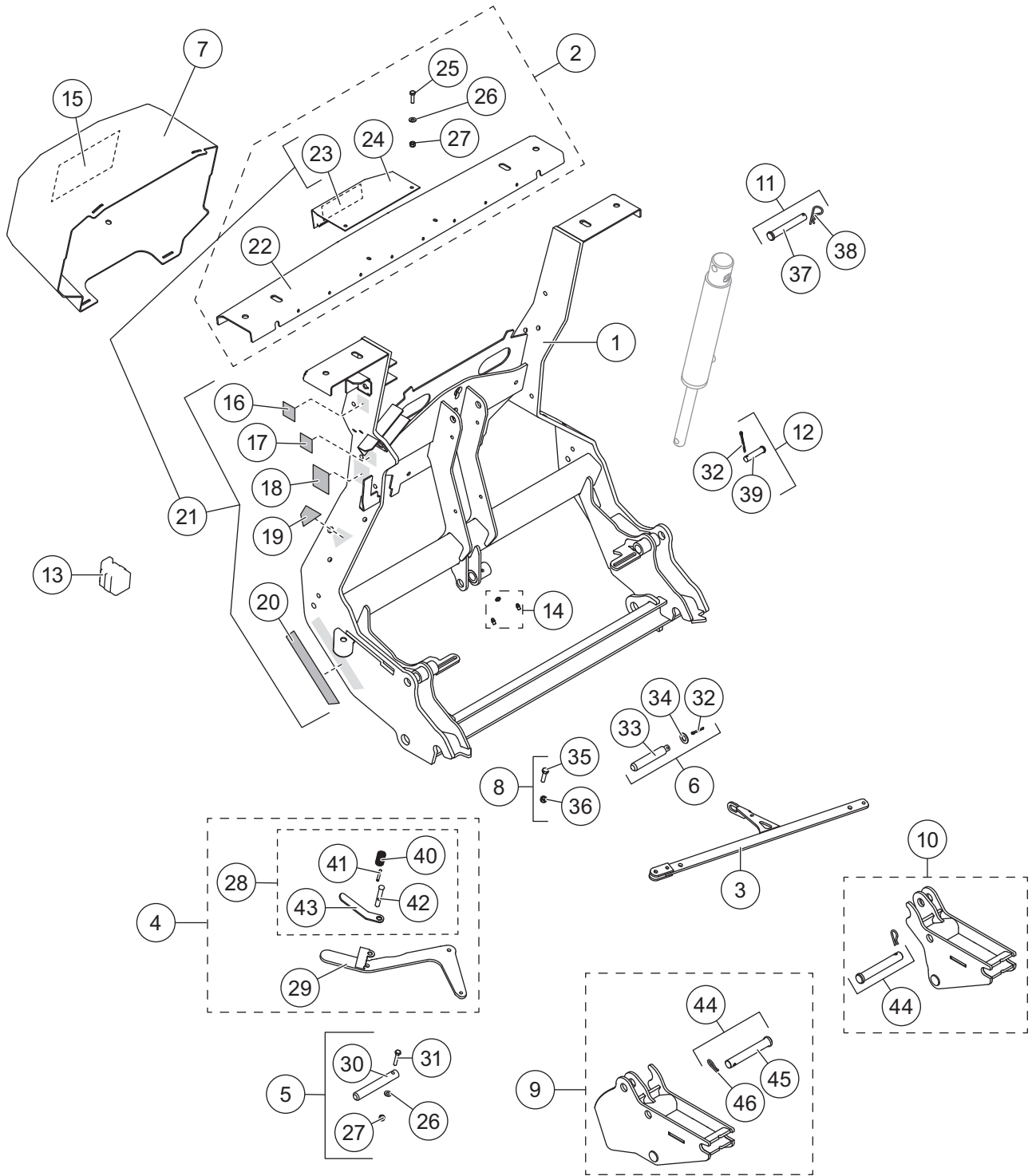
## A-Frame Components







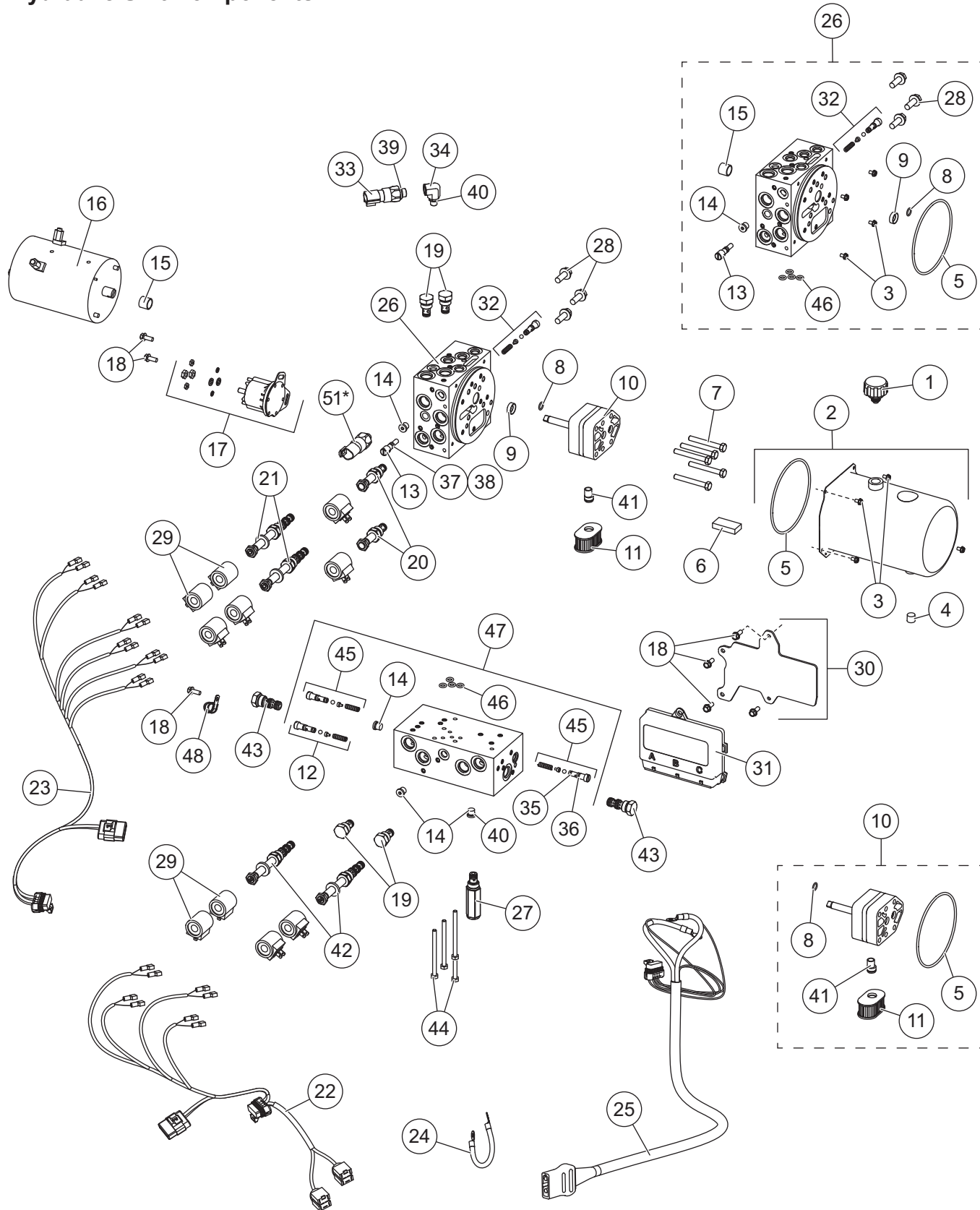
Headgear Components





# HYDRAULIC AND ELECTRICAL COMPONENTS

## Hydraulic Unit Components



## HYDRAULIC AND ELECTRICAL COMPONENTS

52647 Hydraulic Unit							
Item	Part	Qty	Description	Item	Part	Qty	Description
1	48278	1	Breather	27	42889	1	Relief Valve 4000 psi
2	49486	1	Reservoir Kit	28	D6452	3	3/8-16 x 1 Hex Cap Screw Serrated Flange
3	66607	4	#10-24 x 5/16 Machine Screw	29	52294	10	Coil
4	92095	1	Plug, Hex Socket 1/4 NPTF	30	52293	1	Module Plate
5	66519	1	O-Ring 2-250	31	52292-1	1	Module – Plow Control
6	73897	1	Magnet	32	52284	1	Relief Valve (1 set)
7	90080	5	5/16-18 x 2-1/2 Hex Cap Screw G5	33	52296	1	Pressure Switch (incl. item 39)
8	56274	1	O-Ring -013	34	52295	1	Elbow, 90° –4 M ORB/–6 F ORB (incl. item 40)
9†	66515	1	Pump Shaft Seal	35	55371	4	O-Ring -008
ns	52252	1	Seal Repair Tool Kit w/Seal	36	25731	4	O-Ring -010
10	49487	1	Hydraulic Pump Kit	37	48239	1	O-Ring -106
11	48281	1	Filter	38	48240	1	Back-Up Ring -106
12	52282	1	Relief Valve (1 set)	39	56569	1	O-Ring -906
13	48517	1	Quill (incl. items 37 & 38)	40	44343	5	O-Ring -904
14	44344	4	Plug, Hex Socket –4 M ORB	41	10887	1	Fitting, Hydraulic Pump Inlet
15‡	56364	1	Bearing Sleeve	42	52286	2	Valve 4-Way 3-Pos. w/Nut & Spacer
ns	52251	1	Bearing Repair Tool Kit w/Bearing	43	49488	2	Valve 3-Way PO Check
16	52281	1	Motor	44	90696	4	1/4-20 x 3-1/2 Hex Cap Screw G5
17	52290	1	Motor Relay Kit, FLEET FLEX	45	52283	1	Relief Valve (2 sets)
18	44355	7	1/4-20 x 5/8 Hex Washer-Head Thread-Rolling Screw	46	43818	4	O-Ring -109
19	84934	2	Check Valve	47	52261	1	Secondary Manifold Assy w/o Valves
20	84936	2	Valve, 2-Way NC w/Rev Flow	48	65340	1	Clamp Loop #10
21	52285	1	Valve, 4-Way, 3-Position, Closed Ctr	49	84937	1	Valve, 4-Way, 3-Position
22	70448	1	Plow Control Harness, 4-Coil	50	48287	2	Check Valve
23	52079	1	Plow Control Harness, 6-Coil	ns		3	Fuse, 5A Mini Automotive Blade-Style (for items 22 and 23)
24	29071	1	Cable Assembly 8" – Red	51*	84854	1	Scrape Maxx™ Kit
25	52291	1	Plow Battery Cable				
26	52259	1	Manifold Assembly w/o Valves PP				
<b>Item 2 49486 Reservoir Kit</b>							
3	66607	4	#10-24 x 5/16 Machine Screw	5	66519	1	O-Ring 2-250
4	92095	1	Plug, Hex Socket 1/4 NPTF				
<b>Item 10 49487 Hydraulic Pump Kit</b>							
5	66519	1	O-Ring 2-250	41	10887	1	Fitting, Hydraulic Pump Inlet
8	56274	1	O-Ring -013	ns		1	Alignment Ring
11	48281	1	Filter	ns		1	Pump Shaft Tool
<b>Item 26 52259 Manifold Assembly w/o Valves PP</b>							
3	66607	4	#10-24 x 5/16 Machine Screw	14	44344	1	Plug, Hex Socket –4 M ORB
5	66519	1	O-Ring 2-250	15	56364	1	Bearing Sleeve
8	56274	1	O-Ring -013	28	D6452	3	3/8-16 x 1 Hex Serrated Flange Screw
9	66515	1	Pump Shaft Seal	32	52284	1	Relief Valve (1 set)
13	48517	1	Quill	46	43818	4	O-Ring -109
<b>Item 47 52261 Secondary Manifold Assembly w/o Valves PP</b>							
12	52282	1	Relief Valve (1 set)	45	52283	1	Relief Valve (2 sets)
14	44344	3	Plug, Hex Socket –4 M ORB	46	43818	4	O-Ring -109
<b>O-Ring Service Kits</b>							
–	52298	–	O-Ring Kit	–	48310	–	Seal Kit, 2-Way Valves
–	48309	–	Seal Kit, 3-Way & 4-Way Valves				
ns = not shown		F = Female		M = Male		G = Grade	

\* = Accessory Only

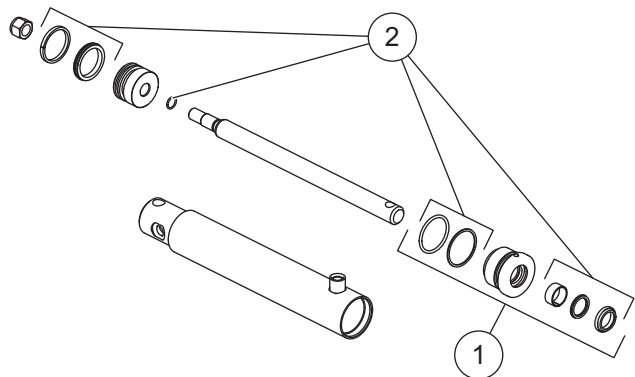
† Use 52252 tool to install.

‡ Use 52251 tool to install.

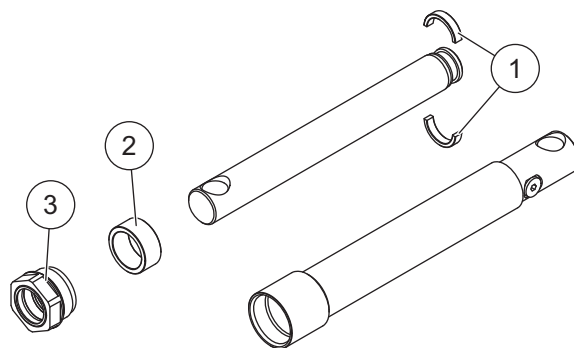
Go to [www.snowexproducts.com](http://www.snowexproducts.com) for hydraulic unit service information and specifications.

HYDRAULIC AND ELECTRICAL COMPONENTS

Lift and Angle Ram Components



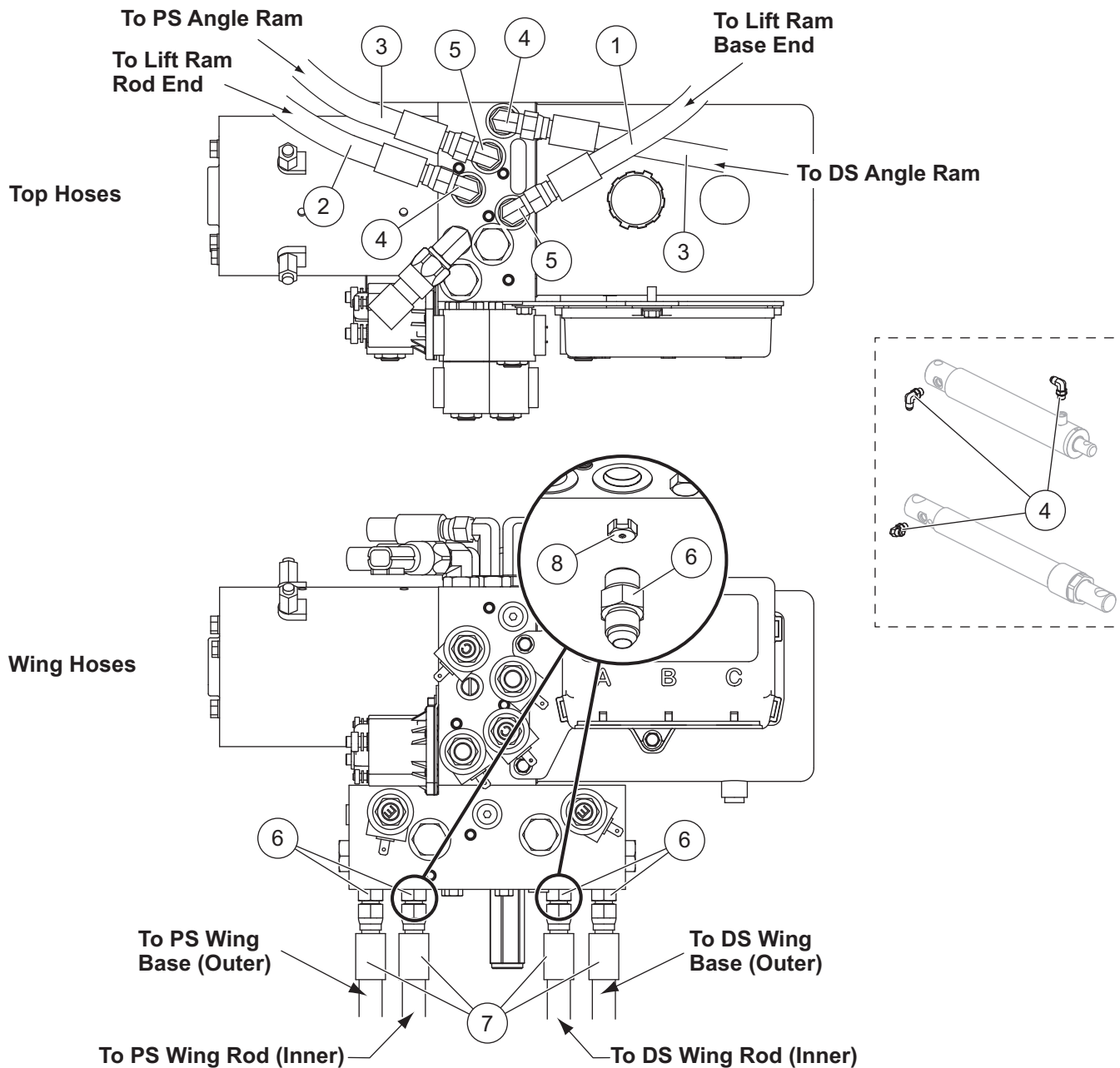
84420 Lift Ram Assembly 2 x 9-3/4 DA			
Item	Part	Qty	Description
1	49499	1	Gland Assembly 1"
2	48520	1	Seal Kit 2" DA Ram



84421 Angle Ram Assembly 1-1/2 x 12			
Item	Part	Qty	Description
1	57879	1	Split Bearing Kit
2	56537	1	Spacer
3	48985	1	Gland Nut Assembly

# HYDRAULIC AND ELECTRICAL COMPONENTS

## Hoses and Fittings

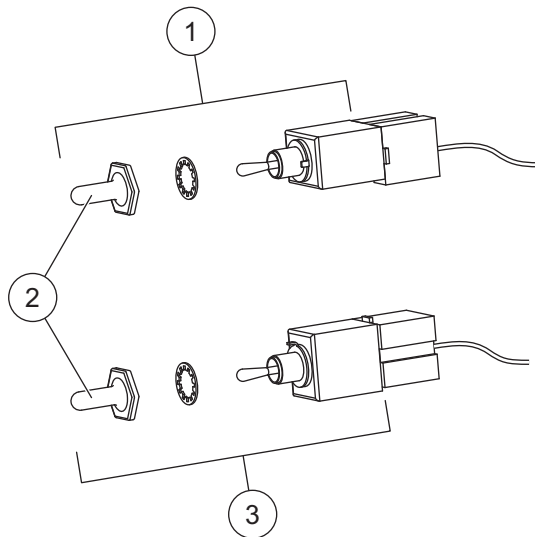


Hoses and Fittings							
Item	Part	Qty	Description	Item	Part	Qty	Description
1	84446	1	Hose, 1/4 x 14 w/F JIC Ends	6	B60007	4	Connector, Short -6 M JIC/ -6 M ORB
2	84453	1	Hose, 1/4 x 20 w/F JIC Ends	7	52279	4	Hose, 3/8 x 45 w/F JIC Ends
3	52304	2	Hose, 3/8 x 36 w/F JIC Ends	8	52297	2	Orifice Plate
4	40571	5	Elbow, 90° -6 M JIC/-6 M ORB	ns	56823	5	Hose Wrap
5	40572	2	Elbow, Extra Long 90° -6 M JIC/ -6 M ORB				

F = Female                      ns = not shown                      M = Male

HYDRAULIC AND ELECTRICAL COMPONENTS

Electrical Components



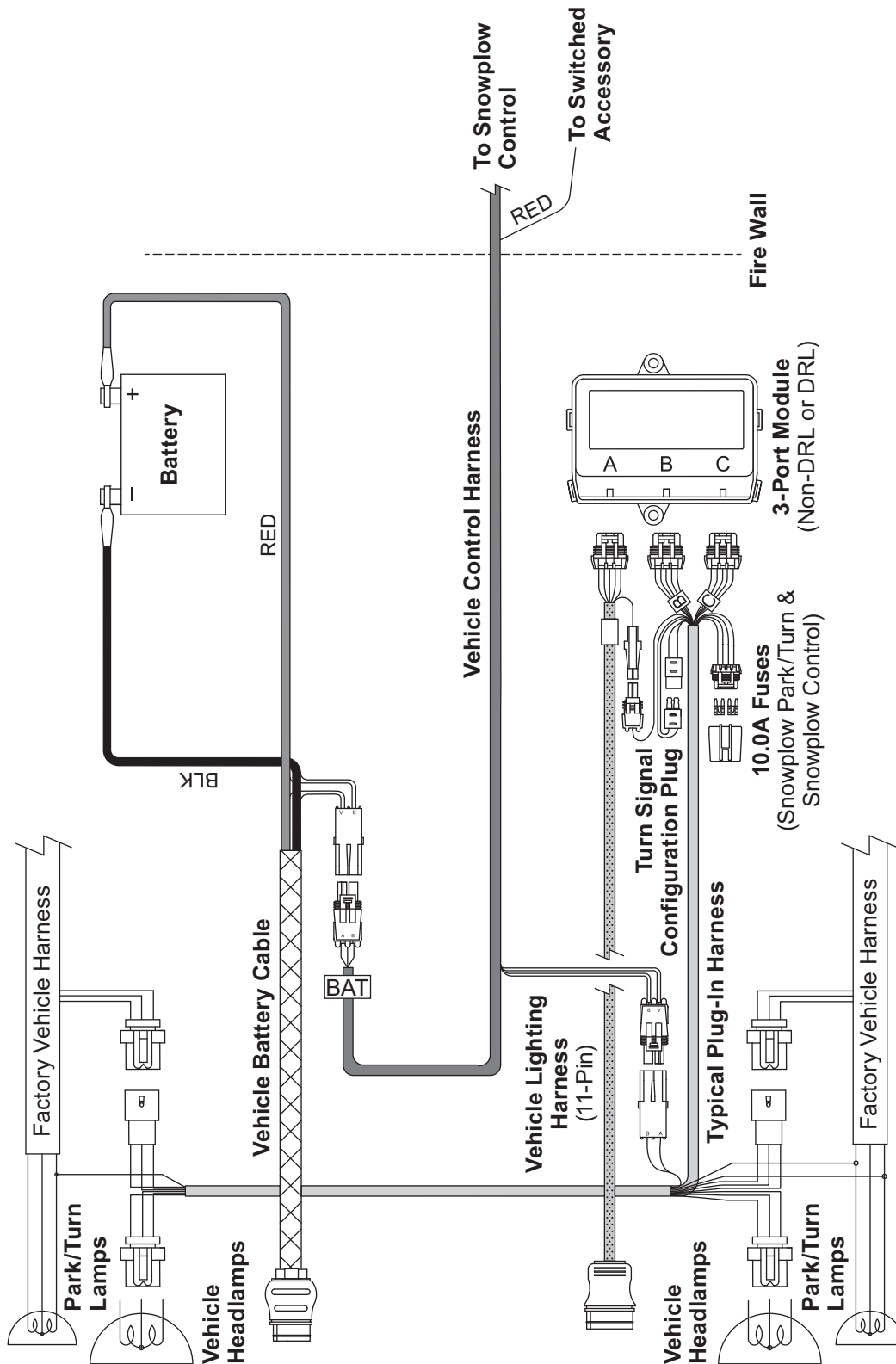
Plow-Side Electrical Components							
Item	Part	Qty	Description	Item	Part	Qty	Description
1	40575	1	Toggle Switch (MOM-ON, OFF, ON)	3	40576	1	Toggle Switch (MOM-ON, OFF, MOM-ON)
2	48259	2	Switch Boot				
Vehicle-Side Electrical Components							
*	42014	1	Vehicle Battery Cable	ns	48325	2	Plug Cover
*	28587	1	Vehicle Control Harness				
ns = not shown							

\* For diagram see Vehicle-Side Harness Diagram.



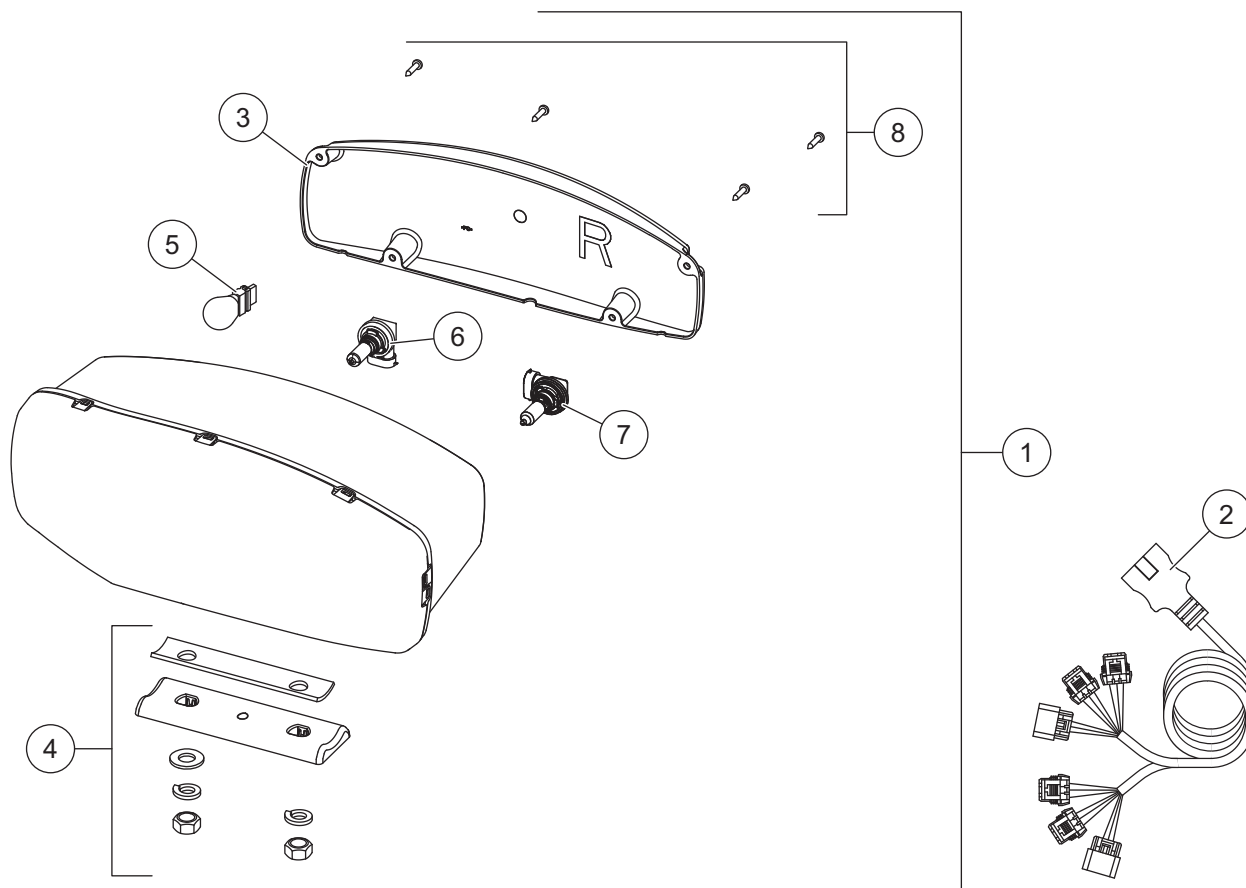
# VEHICLE-SIDE HARNESS DIAGRAM

Vehicle-Side Harness Diagram



# HEADLAMPS

## Headlamp Components



38800 Headlamp Kit H9/H11 (Pair)							
Item	Part	Qty	Description	Item	Part	Qty	Description
1	38802	1	Headlamp Service Kit H9/H11 – PS	2	38807	1	Harness Service Kit H9/H11
ns	38801	1	Headlamp Service Kit H9/H11 – DS				
<b>Item 1</b>	<b>38801/38802 Headlamp Service Kit H9/H11 – PS/DS</b>						
3	38803	1	Rear Cover Kit H9/H11 – PS	6	38811	1	H11 Headlamp Bulb Service Kit
ns	38812	1	Rear Cover Kit H9/H11 – DS	7	38809	1	H9 Headlamp Bulb Service Kit
4	38804	1	Mounting Hardware Kit H9/H11	8	38808	1	Cover Screws Service Kit H9/H11 (pkg of 4)
5		1	Park/Turn Bulb (trade no. 4157NAK)				
ns = not shown							





TrynEx International, LLC  
531 Ajax Drive  
Madison Heights, MI 48071-2429  
[www.snowexproducts.com](http://www.snowexproducts.com)

 A DIVISION OF DOUGLAS DYNAMICS, LLC

Copyright © 2018 Douglas Dynamics, LLC. All rights reserved. This material may not be reproduced or copied, in whole or in part, in any printed, mechanical, electronic, film, or other distribution and storage media, without the written consent of TrynEx International, LLC. Authorization to photocopy items for internal or personal use by TrynEx International outlets or snowplow owner is granted.

TrynEx International reserves the right under its product improvement policy to change construction or design details and furnish equipment when so altered without reference to illustrations or specifications used. TrynEx International or the vehicle manufacturer may require or recommend optional equipment for snow removal. Do not exceed vehicle ratings with a snowplow. TrynEx International offers a limited warranty for all snowplows and accessories. See separately printed page for this important information. The following are registered (®) or unregistered (™) trademarks of Douglas Dynamics, LLC: Automatix®, POWER PLOW™, Scrape Maxx™, SECURITY GUARD™, SnowEx®.

Printed in U.S.A.