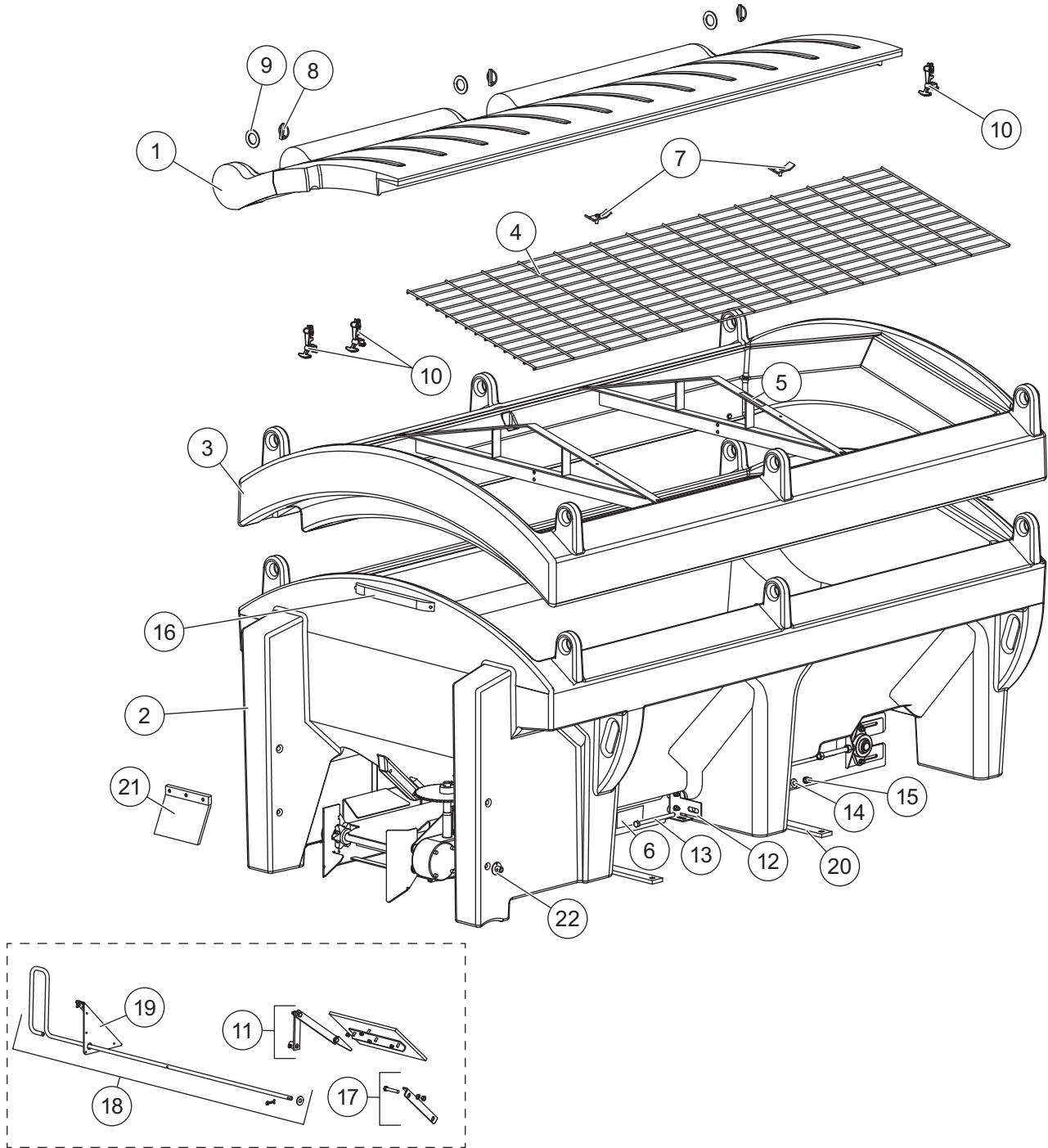




78000, 78003, 78006
Hopper Spreader Components
Tornado™ Hopper Spreader
Parts List

This Parts List is for WESTERN® Tornado Hopper Spreaders with serial numbers beginning with 090527-120430.

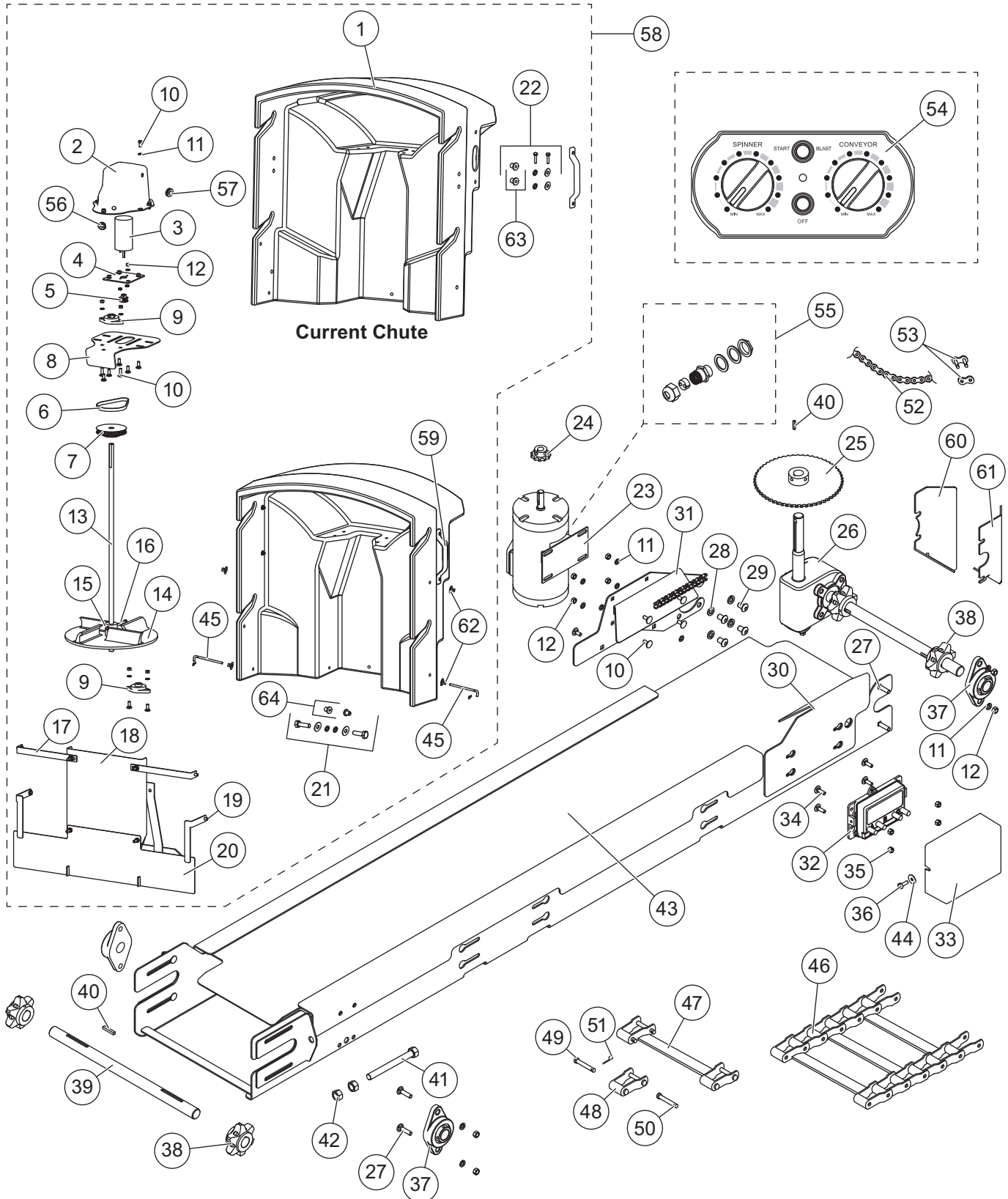
HOPPER COMPONENTS



www.storksplows.com
Tornado™ HOPPER SPREADER

Hopper Components							
Item	Part	Qty	Description	Item	Part	Qty	Description
1	78018	1	Poly Hopper Lid Left 7' (DS)	12	78119	3	Hopper Mounting Bracket Right
	78019	1	Poly Hopper Lid Left 8' (DS)	ns	78133	3	Hopper Mounting Bracket Left
ns	78020	1	Poly Hopper Lid Right 7' (PS)	13	78203	4	1/2-13 x 7-1/2 Hex Cap Screw SS
	78021	1	Poly Hopper Lid Right 8' (PS)	14	68109	4	1/2 Flat Washer SS
2	78009	1	Poly Hopper Body 7'	15	95834	4	1/2-13 Hex Locknut SS
	78012	1	Poly Hopper Body 8'	ns	90375	8	3/8-16 x 1 Carriage Bolt SS
3	78226	1	Poly Hopper 8' Collar	ns	91282	8	3/8 Lock Washer SS
4	78115	2	Top Screen, 7' (Painted)	ns	91431	8	3/8-16 Hex Nut SS
	78116	2	Top Screen, 8' (Painted)	16	78048	1	CHMSL Kit (w/Fasteners)
5	78117	2	Top Screen Brace with Label (67272) Poly Hopper	17	78083	2	Feed Gate Guide (1) w/Fasteners Kit (incl. 94495 [2], 78047, 91350 [2])
6	68584	2	Label, Warning/Caution – Spreaders	18	78094	1	Feed Gate Handle Kit (incl. Item 14, 78029, 90601 [2])
7	96038	4	Wing Bolt	19	78098	1	Feed Gate Detent Bracket (incl. 78028 w/Fasteners)
8	93010	6	Linchpin	ns	66438	4	3/8-16 x 1-1/2 Hex Cap Screw
9	78097	6	Washer 2.5 OD x 1.53 ID SS	20	78109	2	Mounting Bar (incl. Items 14 [2], 15 [2], 78056, 90380 [2])
10	65224	3	Strap, Rubber Hold-Down Assembly	ns	78242	1	Poly Hopper Collar Hardware Kit
ns	61246	1	Cable Boot	21	78177	1	Sprocket Shield Kit
ns	8289	1	Boot Bracket	22	78262	2	Chute Attachment Sleeve Kit
ns	96375	1	3/8 x 1 Sheet Metal Screw				
11	78118	1	Feed Gate Assembly Kit Poly Hopper (incl. 78093, 90601)				
ns = not shown		SS = Stainless Steel		G = Grade			

DRIVE COMPONENTS



Tornado™ HOPPER SPREADER

Drive Components							
Item	Part	Qty	Description	Item	Part	Qty	Description
1	78022	1	Chute Cover	40	65174	5	Machine Key 0.250 sq x 1.500 lg
2	78099	1	Chute Motor Cover	41	65609	2	5/8-11 x 6 Take-Up Bolt SS
3	78300	1	Motor 12 V DC 1/3 hp (incl. 93101)	42	91435	4	5/8-11 Hex Nut
4	78125	1	Chute Motor Mounting Plate Kit (incl. items 10 [4], 11 [4], 12 [4], 68511 [2], 78068)	43	78192	1	Sill, 7'
5	78106‡	1	10-Tooth Cogged Belt Pulley		78193	1	Sill, 8'
6	M1355	1	Gear Belt	44	67155	2	5/16 Flat Washer SS
7	78066	1	40-Tooth Cogged Belt Pulley 3/4 Bore	45	78031	1	Chute Attachment Pin Bag (2-pack)
8	78126	1	Chute Motor Base Plate Kit (incl. items 11 [4], 19 [4], 78065)	46	78076	1	Pintle Chain, 99 Links
9	96167	2	Pillow Block Bearing 3/4 Bore		94898	1	Pintle Chain, 108 Links
10	90375	28	3/8-16 x 1 Carriage Bolt SS	47	68492	AR	Conveyor Repair Bar w/Pins
11	91282	39	3/8 Lock Washer SS	48	68475	AR	Conveyor Repair Link w/Pins
12	91431	34	3/8-16 Hex Nut SS	49	65186	AR	Conveyor Chain Pin, Teardrop Shoulder w/Cotter
13	78067	1	Spinner Shaft	50	68459	AR	Conveyor Chain Pin, Stepped
14	94424	1	Spinner Poly	51	91897	AR	3/32 x 1/2 Cotter Pin
15	91430	1	5/16-18 Hex Nut SS	52	78075	1	#40 Chain with Master Link
16	94495	1	5/16-18 x 2-1/4 Hex Cap Screw SS	53	95894	AR	#40 Chain Master Link
17	78128	2	Deflector Bracket	54	78102	1	Cab Control
18	78129	1	Deflector	55	78201	1	Seal Kit
19	90376	5	3/8-16 x 3/4 Hex Cap Screw SS	56	78107	1	Cap Plug for Motor Cover
20	78130	1	Spinner Guard	57	66130	1	Grommet
21	78268	1	3/8" Well Nut Fastener Kit	58	78229-1	1	Full Chute Assembly
22	78270	1	1/4" Well Nut Fastener Kit	59	78247	2	Chute Handle Kit
23	95755-2	1	Motor 12 V DC 1/2 hp	60	78261	1	Sill Deflector, PS
24	95777	1	Sprocket, #40 x 11T x 5/8	61	78260	1	Sill Deflector, DS
25	78057	1	Sprocket, #40 x 55T x 1	62	78262	4	Chute Attachment Sleeve Kit
26	95567	1	Gear Case 20:1	63	78269	1	1/4 Well Nut (pkg of 2)
27	68345	10	3/8-16 x 1-1/2 Carriage Bolt SS	64	78267	1	3/8 Well Nut (pkg of 2)
28	91284	4	1/2 Lock Washer Spring SS	ns	78199	1	CHMSL Harness Kit
29	68360	4	1/2-13 x 3/4 Button Cap Screw	ns	29217	1	Vehicle Power Cable
30	78131	1	Chain Guard DS Rear	ns	48808	1	Spreader Power Cable
31	78132	1	Chain Guard PS Rear	ns	29221	1	Vehicle-Side Control Harness
32	78178-1	1	Control Module – Dual Motor	ns	78103	1	Wiring – Module to Motor
33	78108	1	Module Cover	ns	78104	1	Wiring – Module to Spinner Connector
34	90556	4	5/16-18 x 1 Carriage Bolt	ns	78105	1	Wiring – Spinner Connector to Spinner Motor
35	91350	4	5/16-18 Hex Locknut GB SS	ns	95836	1	Fuse, 100 Amp
36	90381	2	1/4-20 x 3/4 Hex Cap Screw SS	ns	95837	1	Fuse Holder
37	94536	3	1-1/8 Bearing, 2-Bolt Flange	ns	22511K	1	22" Battery Cable
38	65909	4	Drive Sprocket Machining 6T	ns	78246	1	Control Bracket Kit
39	94351	1	Idler Shaft	ns	61548K	1	Plug Cover Kit
				ns	78266	1	Chain Wiper Kit
Accessories							
ns	78197	1	License Plate Light Kit	ns	78204	1	Vehicle-Side Harness Kit
ns	78198	1	Work Light Kit	ns	78195	1	Vibrator Kit
ns	78120	1	Inverted Vee Kit, 8' Models	ns	78150	1	Inverted Vee Kit, 7' Models
ns = not shown		AR = As Required		SS = Stainless Steel		G = Grade	
‡ = For use on motors with 5/16" shaft only							

www.storksplows.com
Tornado™ HOPPER SPREADER

Copyright © 2012 Douglas Dynamics, L.L.C. All rights reserved. This material may not be reproduced or copied, in whole or in part, in any printed, mechanical, electronic, film or other distribution and storage media, without the written consent of Western Products. Authorization to photocopy items for internal or personal use by Western Products outlets or spreader owner is granted.

Western Products reserves the right under its product improvement policy to change construction or design details and furnish equipment when so altered without reference to illustrations or specifications used. Western Products or the vehicle manufacturer may require or recommend optional equipment for spreaders. Do not exceed vehicle ratings with a spreader. Western Products offers a limited warranty for all spreaders and accessories. See separately printed page for this important information. The following are registered (®) or unregistered (™) trademarks of Douglas Dynamics, L.L.C.: Tornado™, WESTERN®.

Printed in U.S.A.
