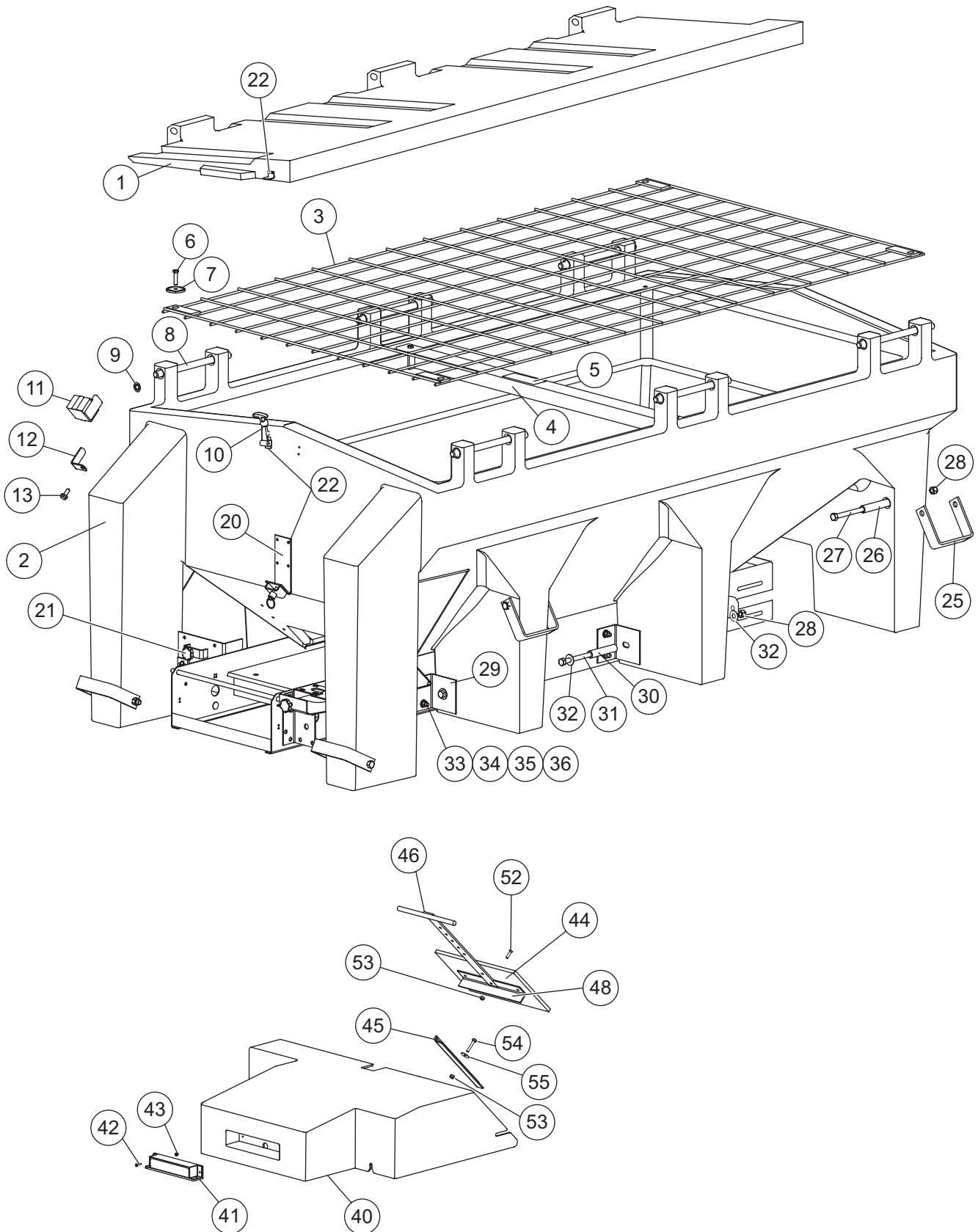




**Tornado™**  
**Hopper Spreader Components**  
**Parts List**

This parts list is for WESTERN® Tornado Hopper Spreaders with serial numbers beginning with 0609 and higher.

www.storksplows.com  
BODY COMPONENTS PARTS LIST



**BODY COMPONENTS PARTS LIST**

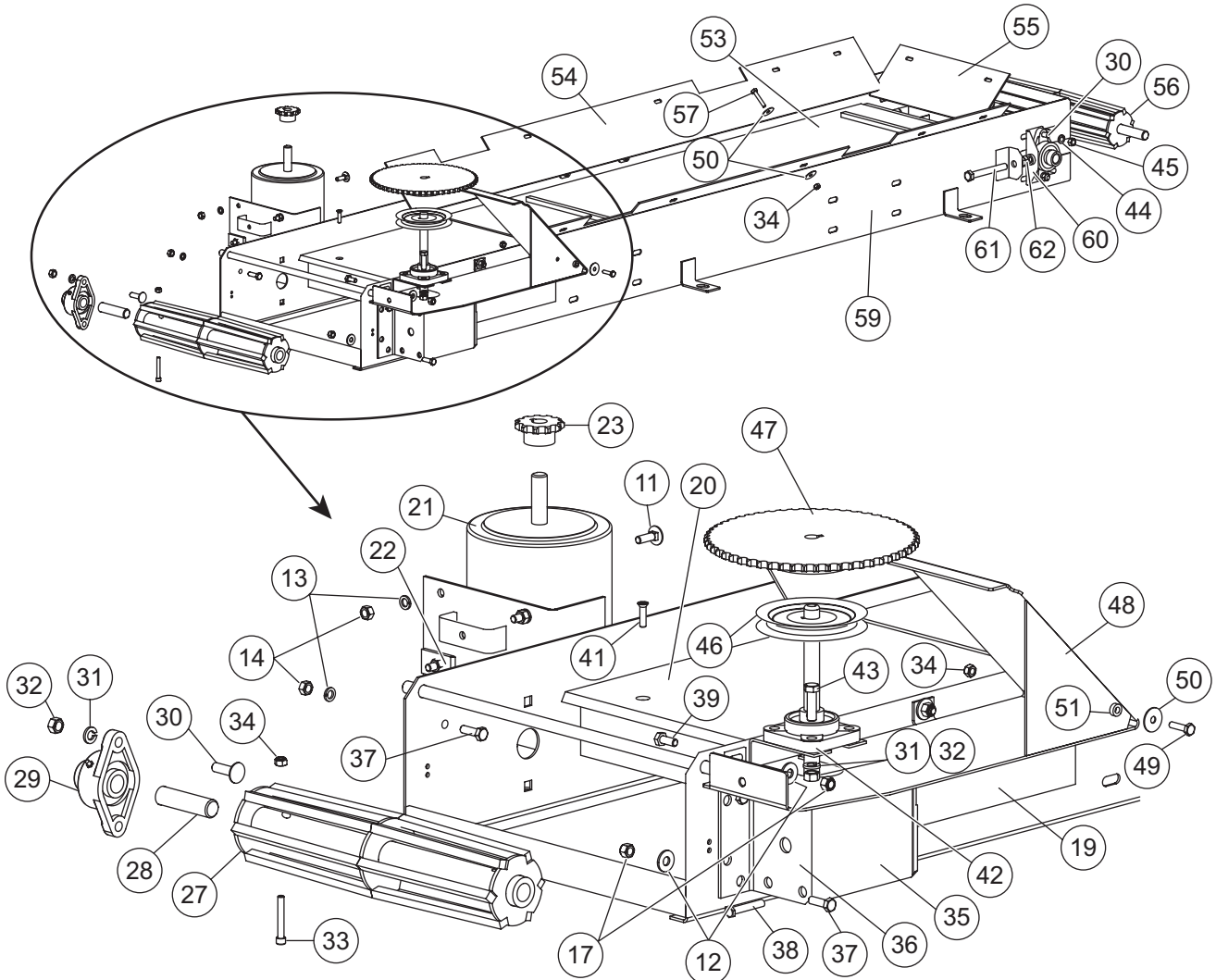
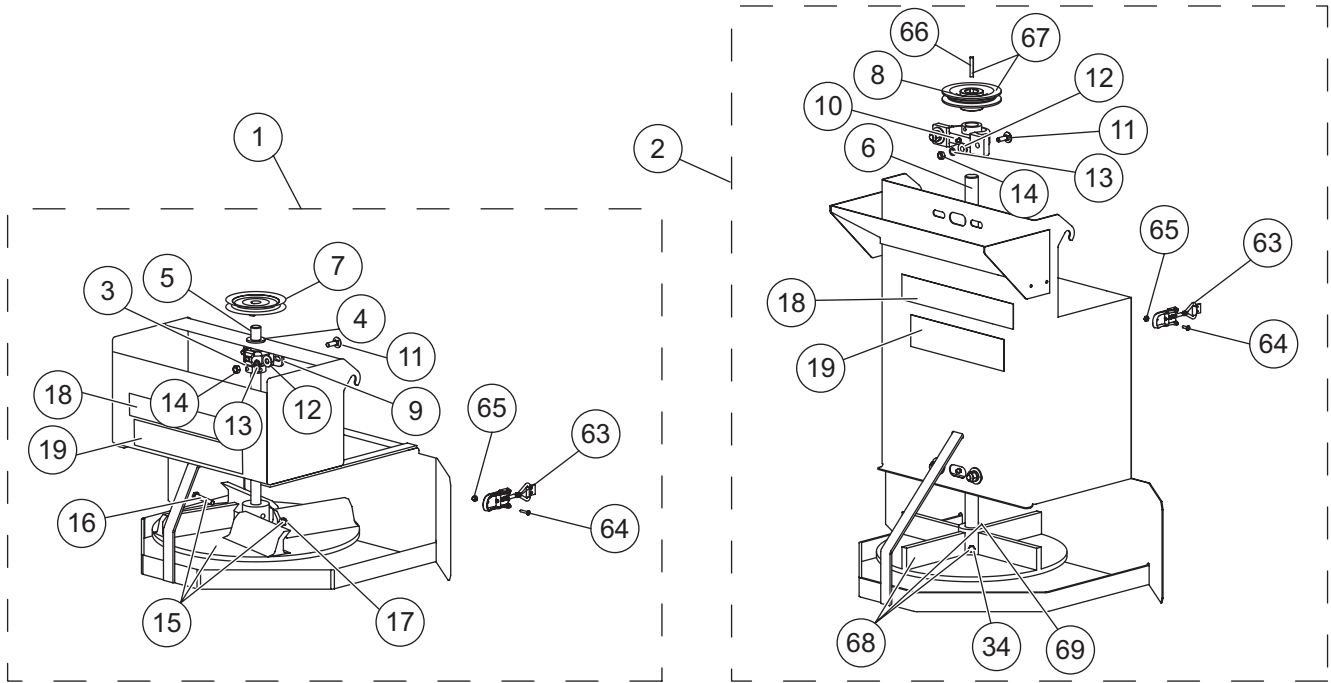
Body Components Parts List							
Item	Part	Qty	Description	Item	Part	Qty	Description
1	95931-1	1	Lid – DS	29	95765	8	Hopper Mounting Bracket
ns	95932-1	1	Lid – PS	30	95830	4	Sleeve 4"
2	95752	1	Poly Hopper Shell	31	95826	4	1/2-13 x 5-1/2 Hex Cap Screw
3	95846-1	1	Top Screen	32	68109	8	1/2 Flat Washer
4	96380	1	Top Screen Brace with Label	33	90375	16	3/8-16 x 1 Carriage Bolt
5	67272	1	Label – Information (Caution)	34	91123	16	3/8 Flat Washer
6	66438	4	3/8-16 x 1-1/2 Hex Cap Screw, SS	35	91282	16	3/8 Lock Washer
7	95831	4	Top Screen Washer	36	91431	16	3/8-16 Hex Nut
8	95817	6	Hinge Pin	40	95913	1	Chute Cover Kit (Includes CHMSL)
9	95818	12	Hinge Pin Retainer	41	65361	1	Center High Mounted Stoplight
10	P3045	2	Latch Kit	42	90693	2	#6 x 3/4 Machine Screw
11	61246	1	Cable Boot	43	91398	2	#6-32 Hex Locknut GB
12	56553	1	Boot Bracket	44	95772	1	Poly Feed Gate
13	96375	1	3/8 x 1 Sheet Metal Screw	45	95773	2	Feed Gate Guide
20	95897	1	Feed Gate Latch	46	95899	1	Feed Gate Handle
21	67158	2	1/4-20 x 1 Thumb Screw	48	95768	1	Feed Gate Stiffener
22	95829	16	3/16 Pop Rivet	52	67074	4	1/4-20 x 1 Machine Screw Phillips Head Counter Sunk
25	95766	6	Handle	53	67076	8	1/4-20 Hex Locknut GB, SS
26	95812	6	Sleeve 5"	54	96376	4	1/4-20 x 1-1/2 Hex Cap Screw
27	95825	6	1/2-13 x 7 Hex Cap Screw	55	67155	4	1/4 Flat Washer Special
28	95834	10	1/2-13 Hex Locknut				

ns = not shown

SS = Stainless Steel

G = Grade

www.storksplows.com  
**DRIVE COMPONENTS PARTS LIST**



**DRIVE COMPONENTS PARTS LIST**

Drive Components Parts List							
Item	Part	Qty	Description	Item	Part	Qty	Description
1	95785	1	Chute & Spinner Assy, Standard	46	65765	1	Pulley, 4-1/2 x 5/8 Bore
2	95950	1	Chute & Spinner Assy, Extended	47	95776	1	55-Tooth Sprocket #40
3	65777	1	Locking Collar, 3/4 Bore	48	95814	1	Gear Box Cover
4	67114	1	3/4 Thrust Washer	49	68067	1	1/4-20 x 1 Hex Cap Screw, SS
5	95795	1	Spinner Shaft, Standard Chute	50	67155	25	1/4 Flat Washer Special, SS
6	95960	1	Spinner Shaft, Extended Chute	51	67159	1	3/16 Spacer
7	95796-1	1	Pulley, 4-1/2 x 3/4 Bore	53	95757-1	1	Cleated Conveyor Belt
8	95745	1	Pulley, 4-1/2 x 1 Bore	54	95770-1	2	Side Belt Guard
9	65776	2	Pillow Block Bearing, 3/4 Bore	55	95771	1	Front Belt Guard
10	65636	2	Pillow Block Bearing, 1 Bore	56	95963	1	Conveyor Roller, Idler
11	95850	8	5/16-18 x 3/4 Carriage Bolt	57	96376	12	1/4-20 x 1-1/2 Hex Cap Screw, SS
12	90980	6	5/16 Flat Washer	59	95930	1	Conveyor Sill with Labels
13	91276	8	5/16 Spring Lock Washer, SS	60	95762	2	Bearing Plate
14	91430	8	5/16-18 Hex Nut, SS	61	68620	2	1/2-13 x 4 Take-Up Bolt, SS
15	94511	1	Poly Spinner Kit	62	67295	2	12-13 Hex Nut, SS
16	94495	1	5/16-18 x 2-1/4 Hex Cap Screw, SS	63	95819	2	Draw Latch
17	91350	3	5/16-18 Hex Locknut, SS	64	98020	8	#8 x 1/2 Machine Screw
18	68737	1	Reflective Strip, Red/White	65	91372	8	#8-32 Hex Locknut GB
19	68584	3	Label – Information (Warning)	66	65174	1	1/4 x 1-1/2 Machine Key
20	95769	1	Poly Floor	67	95943	1	Pulley Kit, 4-1/2 x 1 Bore
21	95852	1	1/2 HP Motor	68	94513	1	Spinner, Poly Service Kit 14.5"
22	95730	1	Motor Brace	69	94498	1	1/4-20 x 2-1/4 Hex Cap Screw, SS
23	95777	1	11-Tooth Sprocket #40	ns	95929	1	Conveyor Belt Lacing Pin
27	68605	1	Conveyor Roller, Drive	ns	29248	1	Spreader Module
28	65753	1	Stub Shaft – Conveyor Roller	ns	95938	1	Label – Information (Caution, Module)
29	68619	3	Flange Bearing 3/4 Bore	ns	29217	1	Vehicle Power Cable
30	68621	4	3/8-16 x 1-1/4 Carriage Bolt	ns	29219	1	Spreader Power Cable
31	91282	8	3/8 Spring Lock Washer, SS	ns	29221	1	Vehicle-Side Control Harness
32	91431	8	3/8-16 Hex Nut, SS	ns	29247	1	Cab Control
33	95926	2	1/4-20 x 2 Hex Cap Screw G8	ns	95744	1	Vehicle Only Component Kit (Does Not Include Cab Control)
34	67076	14	1/4-20 Hex Locknut, SS	ns	68794	1	CHMSL Harness Kit
35	95756	1	Gear Box 20:1	ns	29253	1	Motor Cable
36	95809	2	Gear Box Mounting Bracket	ns	95778	1	Drive Chain #40
37	90551	5	5/16-18 x 1 Hex Cap Screw, SS	ns	95894	1	#40 Chain Master Link
38	68948	8	M16 Hex Cap Screw Special	ns	95836	1	100 Amp Fuse
39	93162	2	5/16-18 x 3/4 Hex Cap Screw, SS	ns	95837	1	Fuse Holder
41	67074	8	1/4-20 x 1 Machine Screw Phillips Head Counter Sunk	ns	22511	1	22" Battery Cable
42	68662	1	Flange Bearing 4-Bolt, 5/8 Bore	ns	95803	1	V-Belt 4L370
43	98378	4	3/8-16 x 1-1/4 Hex Cap Screw, SS				

G = Grade

SS = Stainless Steel

ns = not shown

Copyright © 2007 Douglas Dynamics, L.L.C. All rights reserved. This material may not be reproduced or copied, in whole or in part, in any printed, mechanical, electronic, film or other distribution and storage media, without the written consent of Western Products. Authorization to photocopy items for internal or personal use by Western Products outlets or spreader owner is granted.

Western Products reserves the right under its product improvement policy to change construction or design details and furnish equipment when so altered without reference to illustrations or specifications used. Western Products or the vehicle manufacturer may require or recommend optional equipment for spreaders. Do not exceed vehicle ratings with a spreader. Western Products offers a limited warranty for all spreaders and accessories. See separately printed page for this important information. The following are registered (®) or unregistered (™) trademarks of Douglas Dynamics, L.L.C.: Tornado™, WESTERN®.

**Printed in U.S.A.**

---