



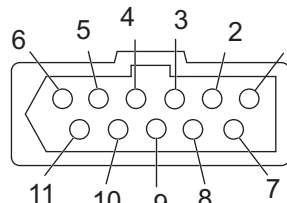
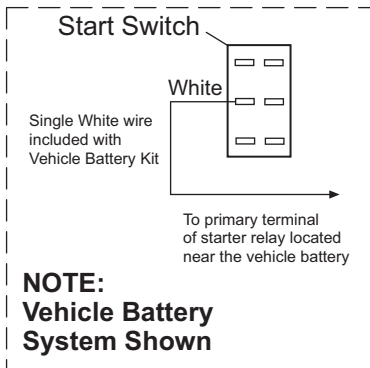
Hopper Spreader Control Wiring Instructions and Electrical Components Parts List

This document includes ICE BREAKER™ harnesses referred to as "11 Pin Harness".

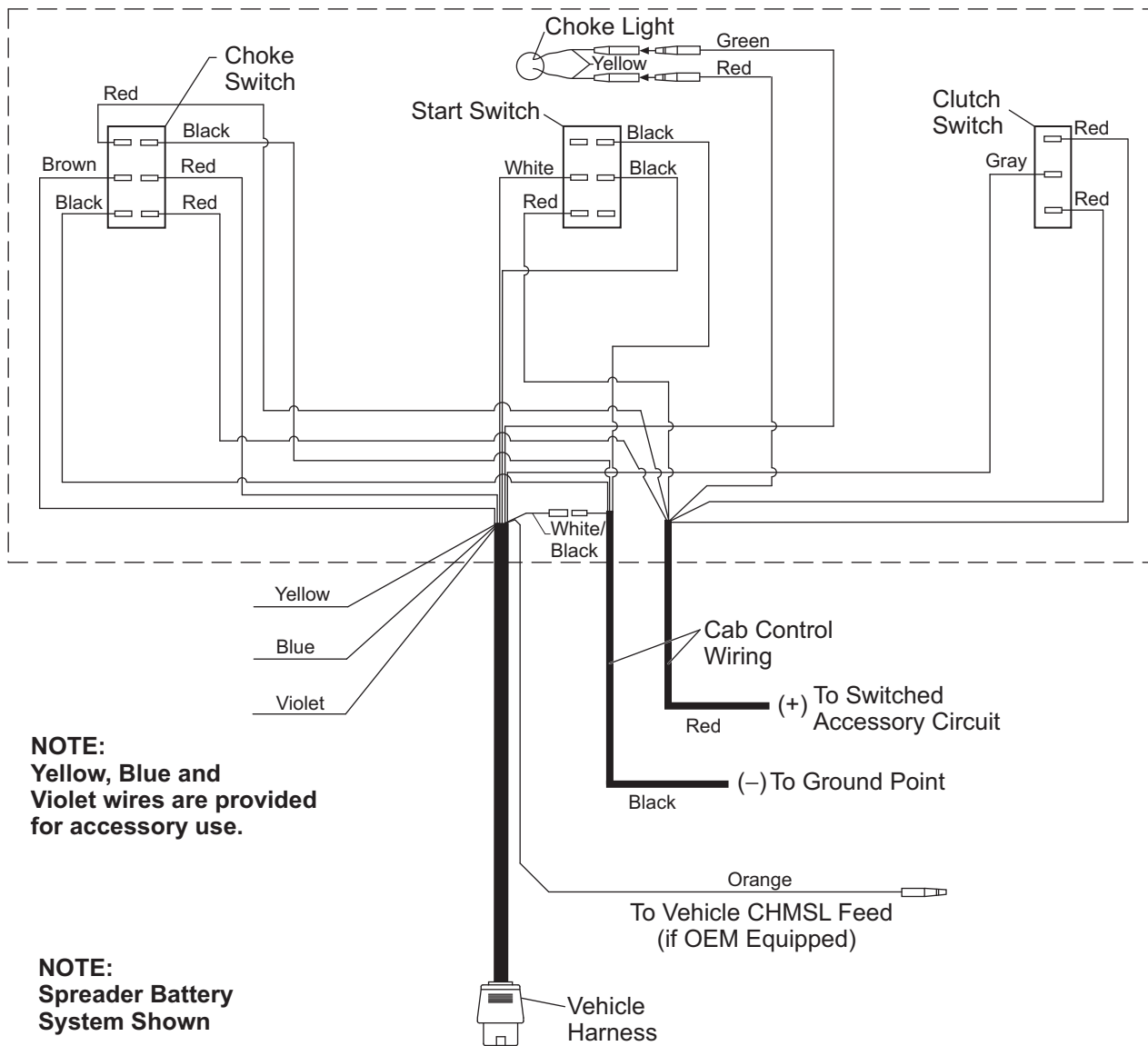
This parts list is for WESTERN® ICE BREAKER Spreaders with serial numbers beginning with 0806 and higher.

CAB CONTROL WIRING DIAGRAM – 11 PIN HARNESS

11 Pin Harness Wire Locations and Colors



- 1. Black
- 2. Brown
- 3. Red
- 4. Orange
- 5. Yellow
- 6. Green
- 7. Blue
- 8. Violet
- 9. Gray
- 10. White
- 11. White/Black



CAB CONTROL WIRING INSTRUCTIONS – 11 PIN HARNESS

⚠ WARNING

Do not install this product in deployment path of an air bag. Refer to vehicle manufacturer's manual for air bag deployment area(s).

1. Remove the cover of the cab control.
2. Remove the rubber grommet and pass the vehicle harness through the empty hole in the back of the cab control.
3. After the harness is in the control, install a tie wrap around it at the end of the insulation to secure it inside.

⚠ CAUTION

Use tape or grommets to protect the wire harness from abrasion and cutting caused by sharp edges during installation and operation.

4. Separate the wires and do the following with each wire:
 - a. Orange – loop it around and pass it out the large rubber grommet in the back of the cab control.
 - b. Gray – connect to middle terminal of "CLUTCH" switch.
 - c. Black – connect to middle right terminal (as viewed from rear) of "START" switch.

- d. White –

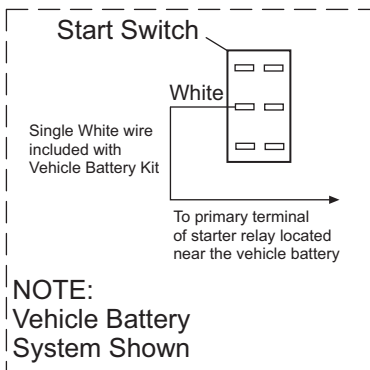
For Spreader Battery System – connect to the middle left terminal (as viewed from the rear) of "START" switch.

For Vehicle Battery System – The white wire from the vehicle harness will not be used. Connect the relay wire – white (supplied with the vehicle battery kit) from the starter relay to the middle left terminal (as viewed from the rear) of the "START" switch. Also refer to the Vehicle Battery Kit Installation Instructions included with the vehicle battery kit.

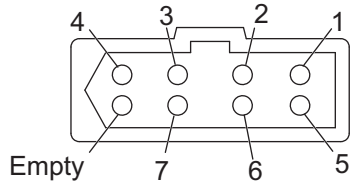
- e. Brown – connect to the middle left terminal (as viewed from the rear) of "CHOKE" switch.
- f. Red – connect to the middle right terminal (as viewed from the rear) of "CHOKE" switch.
- g. Green – connect to yellow wire of choke light.
- h. White/Black – connect to black cab control ground wire.
- i. Yellow, Violet, Blue – pass back out of control. These are provided for accessory use.

5. Connect the black wire from the cab control to a known ground on the vehicle.
6. Connect the red (power) wire to an accessory wire/terminal that is controlled by the vehicle's ignition switch.
7. Replace the cab control cover and fasten the cab control in the cab of the truck.

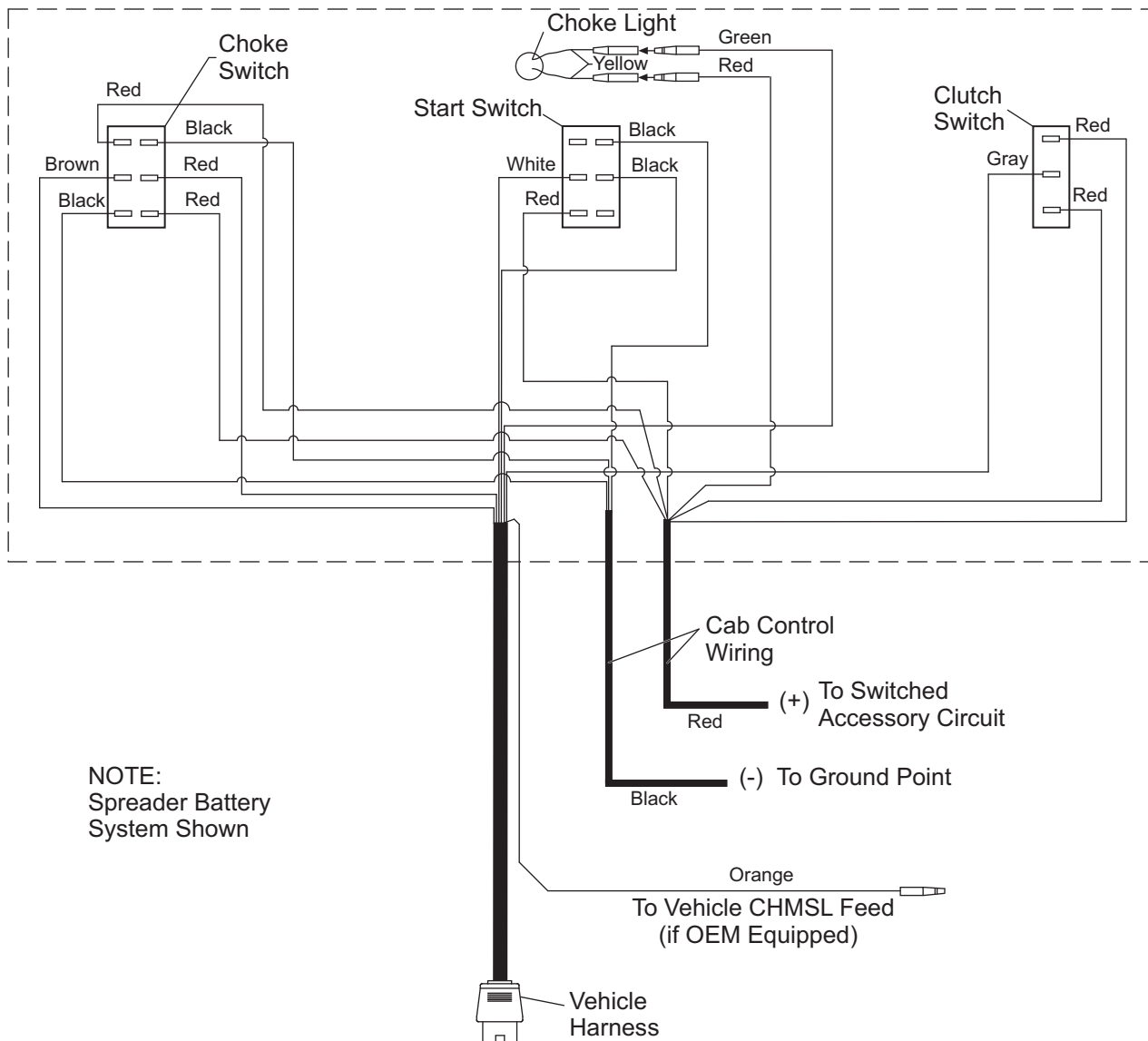
CAB CONTROL WIRING DIAGRAM – 7 PIN HARNESS



7 Pin Harness Wire Locations and Colors



- 1. Green
- 2. Black
- 3. White
- 4. Gray
- 5. Red
- 6. Brown
- 7. Orange

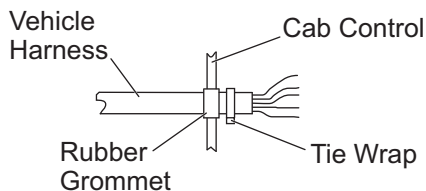


CAB CONTROL WIRING INSTRUCTIONS – 7 PIN HARNESS

⚠ WARNING

Do not install this product in deployment path of an air bag. Refer to vehicle manufacturer's manual for air bag deployment area(s).

1. Remove the cover of the cab control.
2. Remove the rubber grommet and pass the vehicle harness through the empty hole in the back of the cab control.
3. After the harness is in the control, install a tie wrap around it at the end of the insulation to secure it inside.



⚠ CAUTION

Use tape or grommets to protect the wire harness from abrasion and cutting caused by sharp edges during installation and operation.

4. Separate the wires and do the following with each wire:
 - a. Orange – loop it around and pass it out the large rubber grommet in the back of the cab control.
 - b. Gray – connect to middle terminal of "CLUTCH" switch.
 - c. Black – connect to middle right terminal (as viewed from rear) of "START" switch.

- d. White –

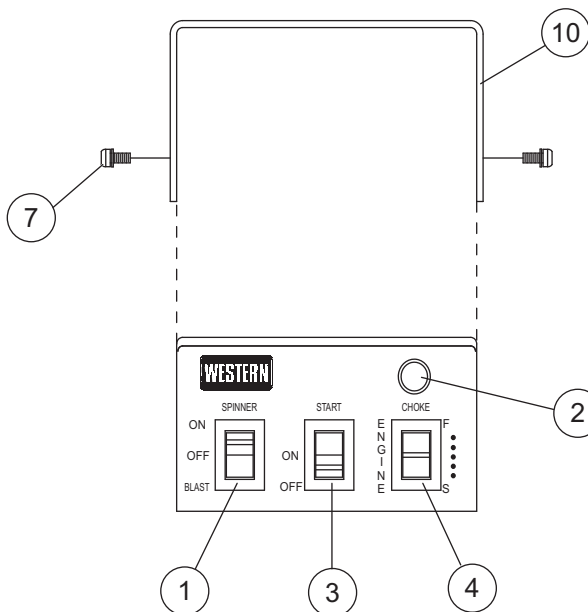
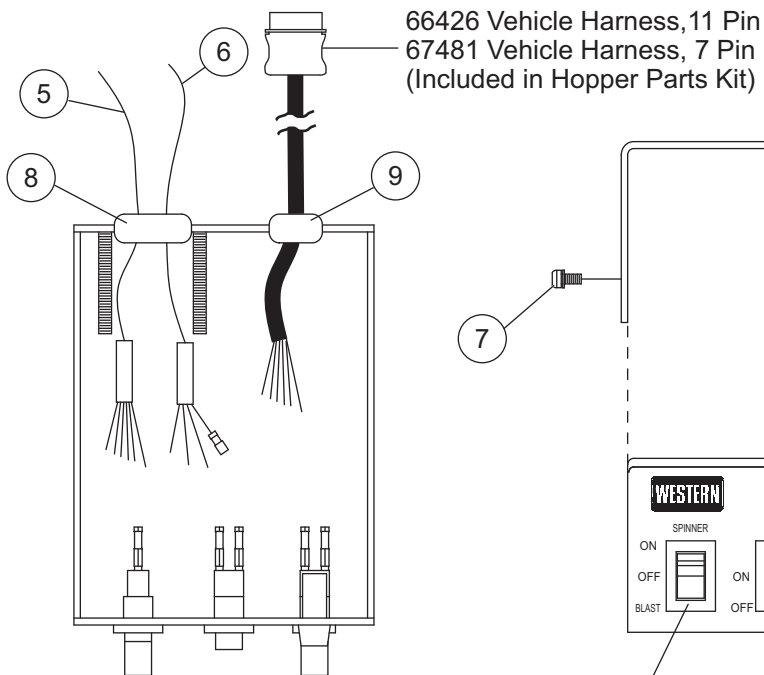
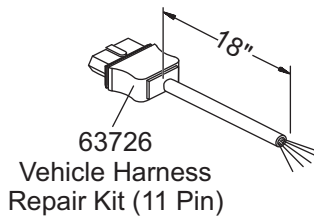
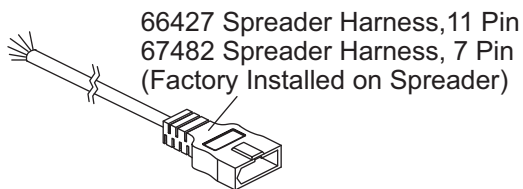
For Spreader Battery System – connect to the middle left terminal (as viewed from the rear) of "START" switch.

For Vehicle Battery System – The white wire from the vehicle harness will not be used. Connect the relay wire – white (supplied with the vehicle battery kit) from the starter relay to the middle left terminal (as viewed from the rear) of the "START" switch. Also refer to the Vehicle Battery Kit Installation Instructions included with the vehicle battery kit.

- e. Brown – connect to the middle left terminal (as viewed from the rear) of "CHOKE" switch.
- f. Red – connect to the middle right terminal (as viewed from the rear) of "CHOKE" switch.
- g. Green – connect to yellow wire of choke light.

5. Connect the black wire from the cab control to a known ground on the vehicle.
6. Connect the red (power) wire to an accessory wire/terminal that is controlled by the vehicle's ignition switch.
7. Replace the cab control cover and fasten the cab control in the cab of the truck.

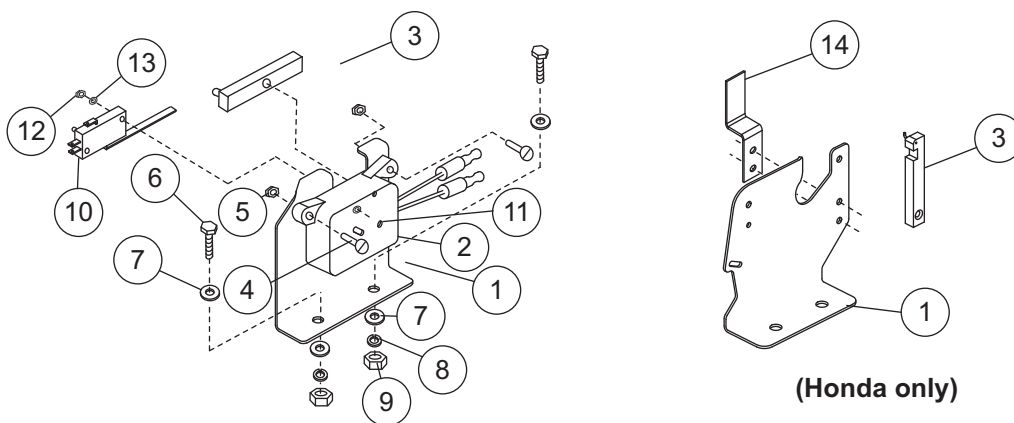
67530-1 PREMIUM CAB CONTROL PARTS LIST



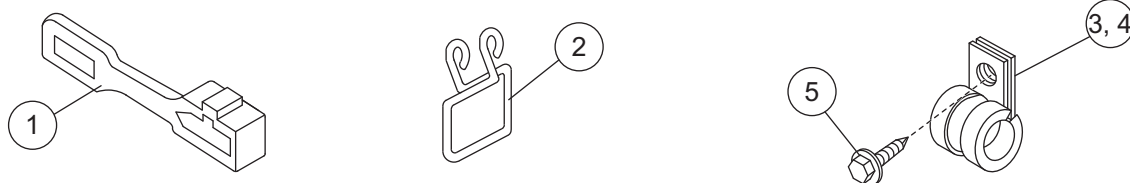
67530-1 Premium Cab Control

Item	Part	Qty	Description	Item	Part	Qty	Description
1	67532	1	Spinner Clutch Switch	7	63930	4	4-40 x 1/4 Pan-Head Machine Screw
2	67528	1	Light, 12V Panel Mount (Red)	8	66130	1	Rubber Grommet – Large
3	67533	1	Ignition Switch	9	25301	1	Rubber Grommet – Small
4	67534	1	Throttle (Choke) Switch	10	65516	1	Control Bracket Installation Kit (Includes mounting hardware)
5	67526	1	Harness, Control 12V Positive (Red)				
6	66432	1	Harness, Control Ground (Black)				

ELECTRICAL COMPONENTS PARTS LISTS



Electric Throttle Components						
Item	Part	Qty	Description	Item	Part	Description
1	65372-1	1	Electric Throttle Bracket, Briggs and Stratton	6	90461	2 1/4-20 x 3/4 Hex Cap Screw G5
	94573	1	Electric Throttle Bracket, Honda	7	90311	4 1/4 Flat Washer
2	65374	1	Electric Throttle Motor	8	91201	2 1/4 Spring Lock Washer
3	65375	1	Electric Throttle Arm, Briggs and Stratton	9	91411	2 1/4-20 Hex Nut G5
	94572	1	Electric Throttle Arm, Honda	10	68863	1 Choke Light Switch
4	67091	3	6-32 x 5/8 Button Cap Screw	11	68858	2 4-40 x 3/4 Button Cap Screw
5	91398	3	6-32 Hex Locknut GB Topring SS	12	68859	2 4-40 Hex Locknut GB Topring SS
			G = Grade	13	68857	4 4 Flat Washer SS
				14	94574	1 Throttle Retainer, Honda
						SS = Stainless Steel



Miscellaneous Electrical Components						
Item	Part	Qty	Description	Item	Part	Description
1	61548K	1	Plug Cover	ns	67241	1 Clutch Ground Wire
2	49304K	1	Plug Retainer Kit (2 Hooks)	ns	67527	1 Choke Switch Ground Wire
3	65340	AR	Clamp Loop #10	ns	66130	AR Split Rubber Grommet 3/8 ID
4	65190	AR	Clamp Loop #6	ns	56099	1 Dielectric Grease Tube
5	93148	AR	1/4-14 x 3/4 Self-Driving Tap Screw	ns	67537	1 Relay Wire (White) – Premium Control
			AR = As Required			ns = not shown



Western Products
PO Box 245038
Milwaukee, WI 53224-9538
www.westernplows.com

Copyright © 2008 Douglas Dynamics, L.L.C. All rights reserved. This material may not be reproduced or copied, in whole or in part, in any printed, mechanical, electronic, film or other distribution and storage media, without the written consent of Western Products. Authorization to photocopy items for internal or personal use by Western Products outlets or spreader owner is granted.

Western Products reserves the right under its product improvement policy to change construction or design details and furnish equipment when so altered without reference to illustrations or specifications used. Western Products or the vehicle manufacturer may require or recommend optional equipment for spreaders. Do not exceed vehicle ratings with a spreader. Western Products offers a limited warranty for all spreaders and accessories. See separately printed page for this important information. The following are registered (®) or unregistered (™) trademarks of Douglas Dynamics, L.L.C.: ICE BREAKER™, WESTERN®.

Printed in U.S.A.