



Hopper Spreader

Control Wiring and Electrical Components

Installation Instructions and Parts List

This document includes Striker™ and ICE BREAKER™ harnesses referred to as "11-Pin Harness."

⚠ CAUTION

Read this document before installing the cab control wiring.

⚠ CAUTION

Use standard methods and practices when attaching spreader and installing accessories, including proper personal protective safety equipment.

This Parts List is for WESTERN® Striker and ICE BREAKER Spreaders with serial numbers beginning with 0806 and higher.

CAB CONTROL WIRING INSTRUCTIONS — 11-PIN HARNESS

⚠ WARNING

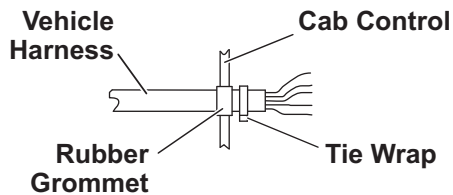
Do not install this product in deployment path of an air bag. Refer to vehicle manufacturer's manual for air bag deployment area(s).

1. Remove the cover of the cab control.
2. Remove the rubber grommet and pass the vehicle harness through the empty hole in the back of the cab control.

⚠ CAUTION

Use tape or grommets to protect the wire harness from abrasion and cutting caused by sharp edges during installation and operation.

3. After the harness is in the control, install a tie wrap around it at the end of the insulation to secure it inside.



4. Separate the wires and connect/route each wire as described in the following instructions for installations using either a one-light control or a two-light control. Then proceed with Step 5.

Wire Connections for One-Light Control

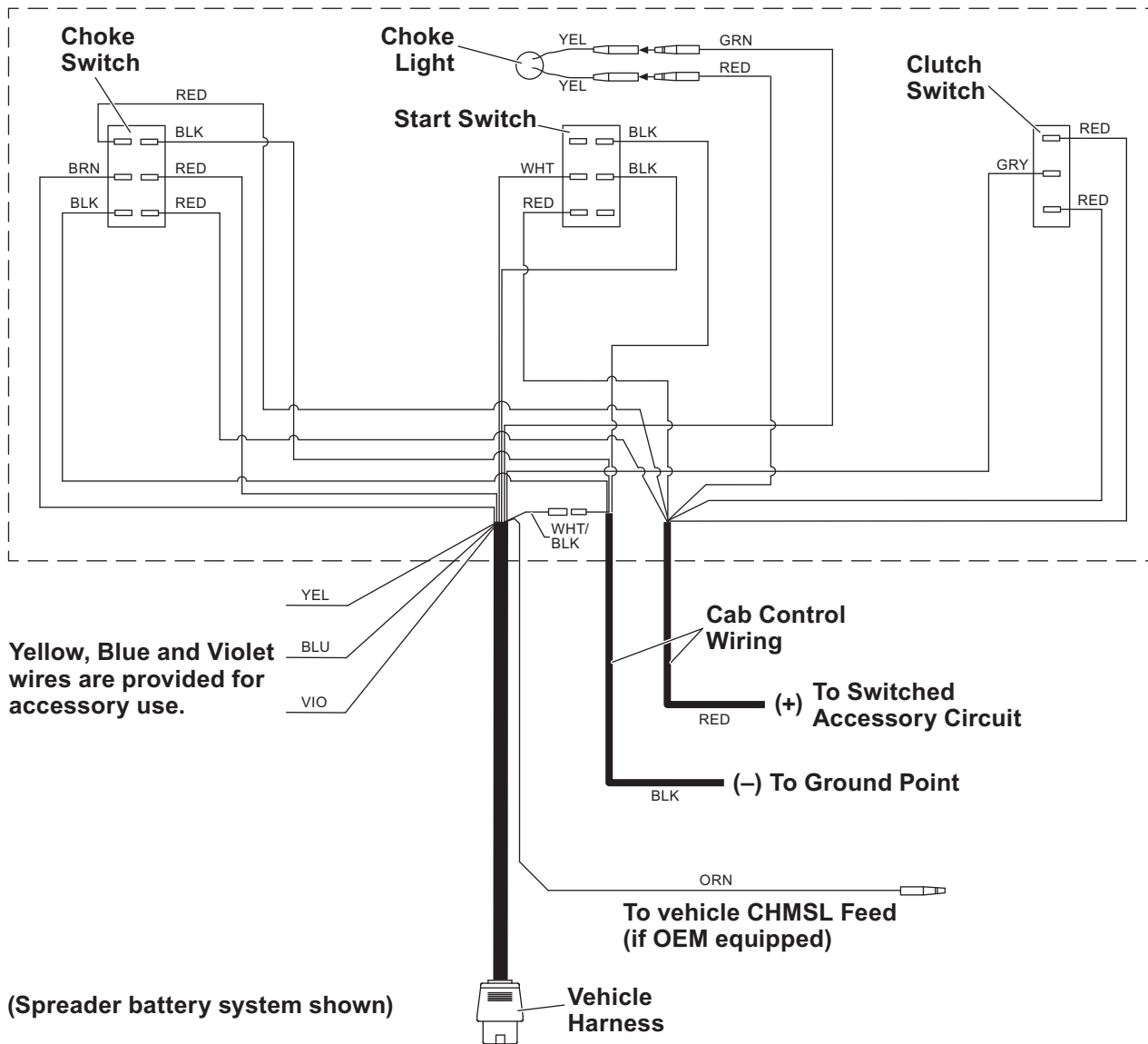
- **Orange** – Loop it around and pass it out the large rubber grommet in the back of the cab control.
- **Gray** – Connect to the middle terminal of the CLUTCH switch.
- **Black** – Connect to the middle right terminal (as viewed from rear) of the "START" switch.
- **White** – For spreader battery system, connect to the middle left terminal (as viewed from the rear) of the "START" switch.

For vehicle battery system, the white wire from the vehicle harness will not be used. Connect the white relay wire (supplied with vehicle battery kit) from the starter relay to the middle left terminal (as viewed from the rear) of the START switch. Also refer to the Vehicle Battery Kit Installation Instructions included with the vehicle battery kit.

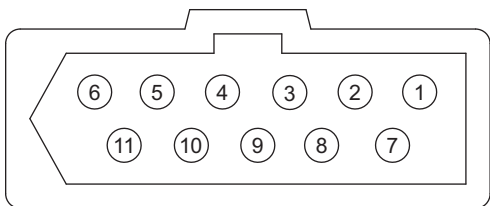
- **Brown** – Connect to the middle left terminal (as viewed from the rear) of the CHOKE switch.
- **Red** – Connect to the middle right terminal (as viewed from the rear) of the CHOKE switch.
- **Green** – Connect to the yellow wire of the choke light.
- **White/Black** – Connect to the black cab control ground wire.
- **Yellow, Violet, Blue** – Pass back out of the control. These wires are provided for accessory use.

CAB CONTROL WIRING INSTRUCTIONS — 11-PIN HARNESS

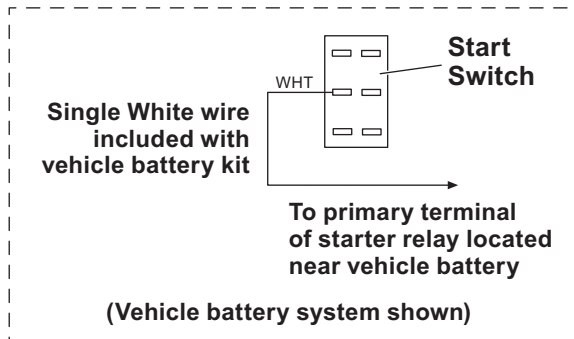
Cab Control Wiring Diagram — 11-Pin Harness One-Light Control (Choke Light Only)



11-Pin Harness — Wire Locations and Colors

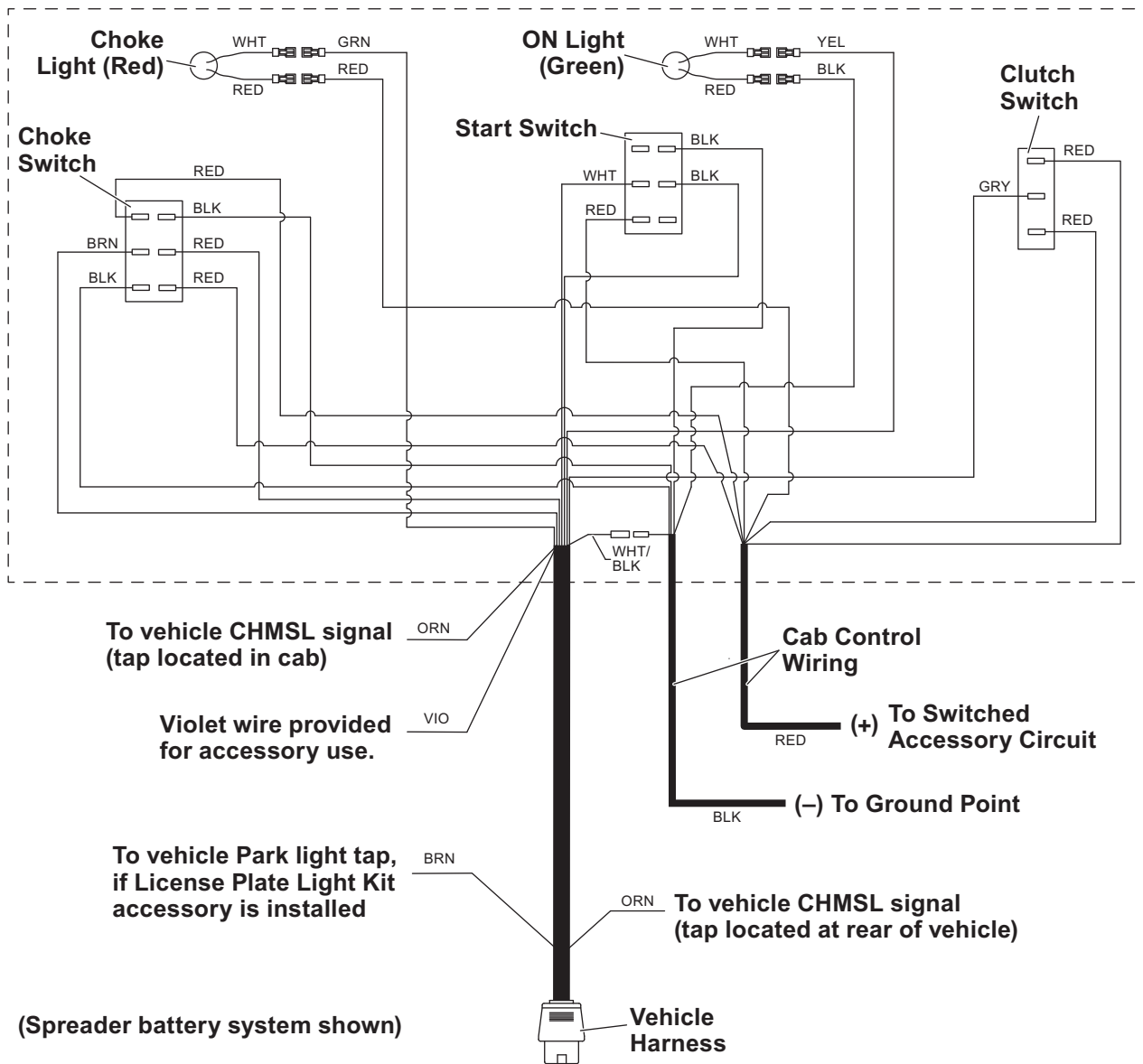


1. Black
2. Brown
3. Red
4. Orange
5. Yellow
6. Green
7. Blue
8. Violet
9. Gray
10. White
11. White/Black



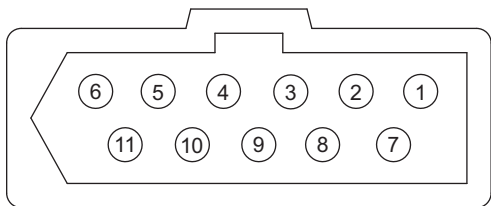
CAB CONTROL WIRING INSTRUCTIONS — 11-PIN HARNESS

Cab Control Wiring Diagram — 11-Pin Harness Two-Light Control (Engine ON & Choke Lights)

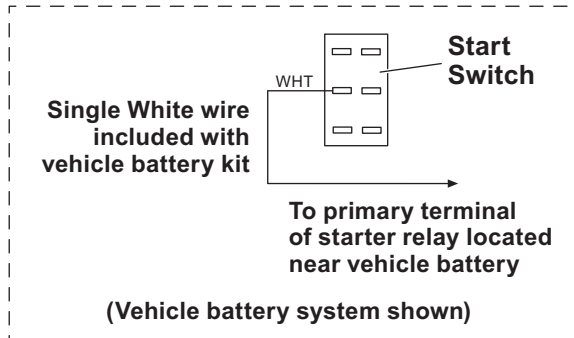


(Spreader battery system shown)

11-Pin Harness — Wire Locations and Colors



1. Black
2. Brown
3. Red
4. Orange
5. Yellow
6. Green
7. Blue
8. Violet
9. Gray
10. White
11. White/Black



CAB CONTROL WIRING INSTRUCTIONS — 11-PIN HARNESS

Wire Connections for Two-Light Control

- **Orange** – Loop it around and pass it out the large rubber grommet in the back of the cab control.
- **Gray** – Connect to the middle terminal of the CLUTCH switch.
- **Black** – Connect to the middle right terminal (as viewed from rear) of the START switch.
- **White** – **For spreader battery system**, connect to the middle left terminal (as viewed from the rear) of the START switch.

For vehicle battery system, the white wire from the vehicle harness will not be used. Connect the white relay wire (supplied with the vehicle battery kit) from the starter relay to the middle left terminal (as viewed from the rear) of the "START" switch. Also refer to the Vehicle Battery Kit Installation Instructions included with the vehicle battery kit.

- **Brown** – Connect to the middle left terminal (as viewed from the rear) of the CHOKE switch.
- **Red** – Connect to the middle right terminal (as viewed from the rear) of the CHOKE switch.
- **Green** – Connect to the white wire of the choke light (red light).
- **White/Black** – Connect to the black cab control ground wire.
- **Violet** – Pass back out of the control. This wire is provided for accessory use.

Spreader with Briggs & Stratton Engine

- **Yellow** – Connect to the white wire of the engine ON light (green light).
- **Black from cab control ground harness** – Connect to the red wire of the engine ON light.

Spreader with Honda Engine

- **Yellow** – Connect to the red wire of the engine ON light (green light).
 - **Black from cab control ground harness** – Connect to the white wire of the engine ON light.
5. Connect the black wire from the cab control to a known ground on the vehicle.
 6. Connect the red (power) wire to an accessory wire/terminal that is controlled by the vehicle's ignition switch.
 7. Replace the cab control cover.
 8. Install the cab control in the cab of the truck, following the instructions packed with the control.

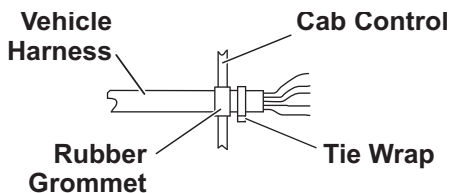
CAB CONTROL WIRING INSTRUCTIONS — 7-PIN HARNESS

1. Remove the cover of the cab control.
2. Remove the rubber grommet and pass the vehicle harness through the empty hole in the back of the cab control.

⚠ CAUTION

Use tape or grommets to protect the wire harness from abrasion and cutting caused by sharp edges during installation and operation.

3. After the harness is in the control, install a tie wrap around it at the end of the insulation to secure it inside.



4. Separate the wires and do the following with each wire:
 - **Orange** – Loop it around and pass it out the large rubber grommet in the back of the cab control.
 - **Gray** – Connect to the middle terminal of the CLUTCH switch.
 - **Black** – Connect to the middle right terminal (as viewed from rear) of the START switch.
 - **White** – **For spreader battery system:** Connect to the middle left terminal (as viewed from the rear) of the START switch.

For vehicle battery system: The white wire from the vehicle harness will not be used. Connect the white relay wire (supplied with the vehicle battery kit) from the starter relay to the middle left terminal (as viewed from the rear) of the START switch. Also refer to the Installation Instructions included with the vehicle battery kit.

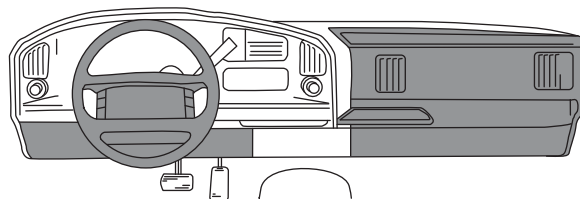
 - **Brown** – Connect to the middle left terminal (as viewed from the rear) of the CHOKE switch.
 - **Red** – Connect to the middle right terminal (as viewed from the rear) of the CHOKE switch.
 - **Green** – Connect to the yellow wire of the choke light.

5. Connect the black wire from the cab control to a known ground on the vehicle.
6. Connect the red (power) wire to an accessory wire/terminal that is controlled by the vehicle's ignition switch.
7. Replace the cab control cover.
8. Choose a cab control mounting location that can be reached by the harness. The location must be within easy reach of the vehicle operator without restricting access to vehicle controls or instrumentation.

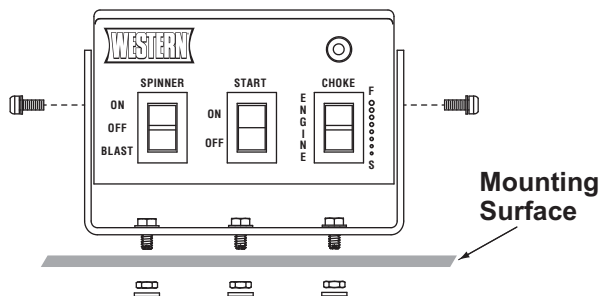
Do not mount the control in areas prohibited by the vehicle manufacturer for reasons of crashworthiness. See the vehicle's body builder's book, owner's manual or service manual for details. The shaded portions in the illustration below show the most commonly restricted areas.

⚠ CAUTION

Do not alter, modify, or install additional components in shaded areas shown below. Failure to comply may interfere with airbag deployment or cause injury to operator in an accident.

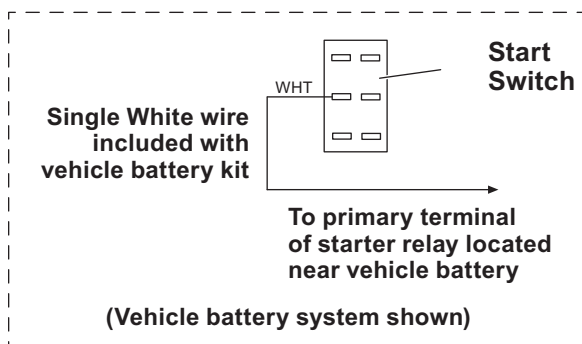
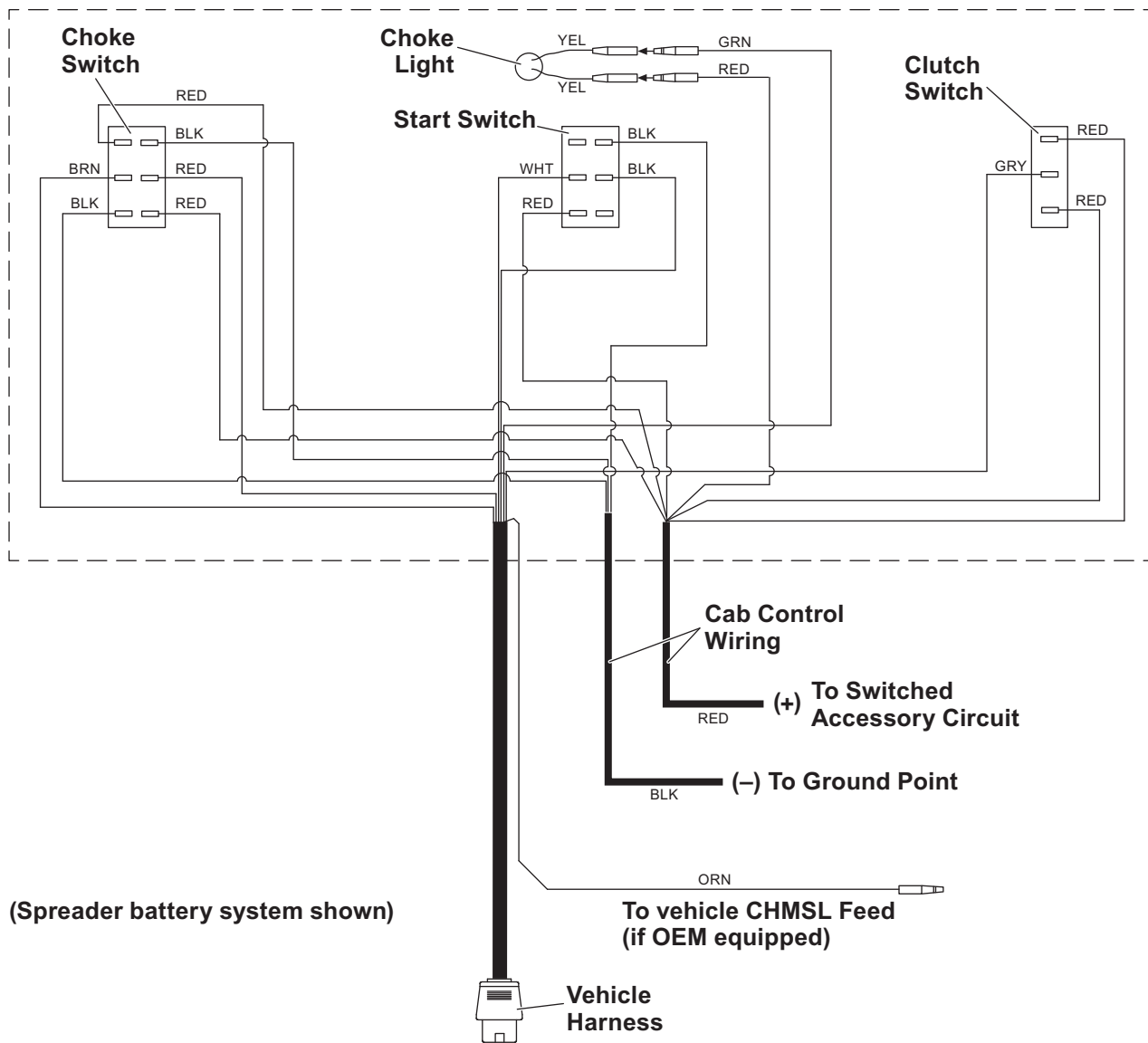


9. Install the control bracket using the supplied mounting bracket or an existing plow control bracket. The control can be either top-mounted or bottom-mounted, as shown in the example.

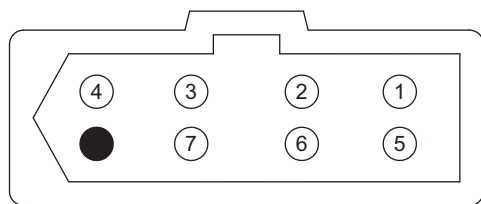


CAB CONTROL WIRING INSTRUCTIONS — 7-PIN HARNESS

Cab Control Wiring Diagram — 7-Pin Harness



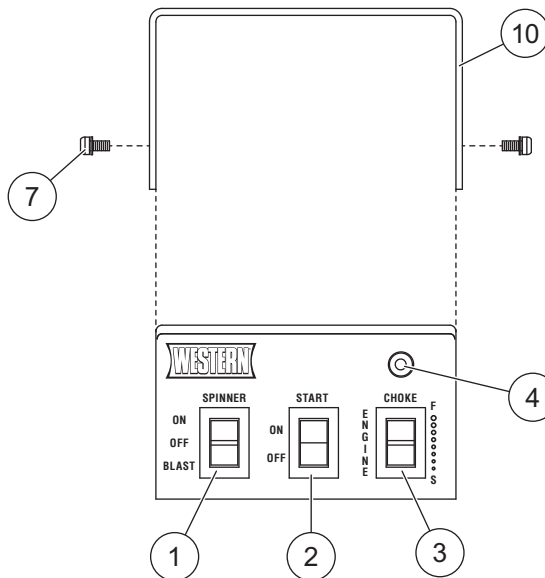
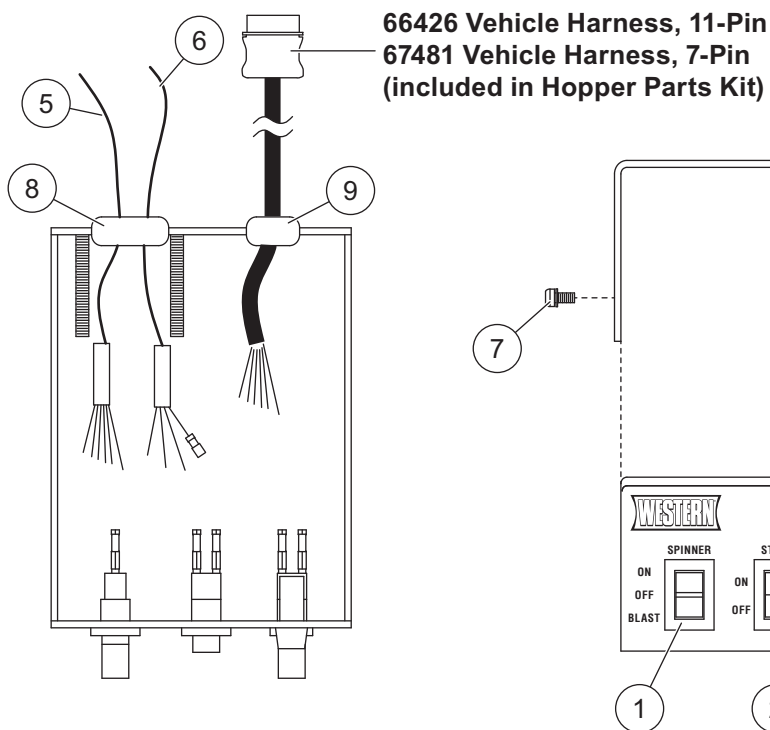
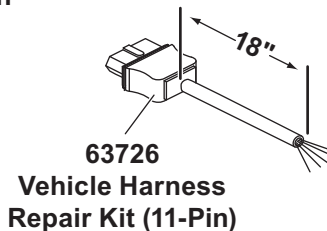
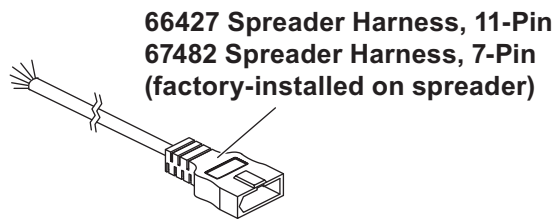
7-Pin Harness — Wire Locations and Colors



- 1. Green
- 2. Black
- 3. White
- 4. Gray
- 5. Red
- 6. Brown
- 7. Orange

ONE-LIGHT CAB CONTROL PARTS LIST

For ICE BREAKER™ and older style hopper spreaders

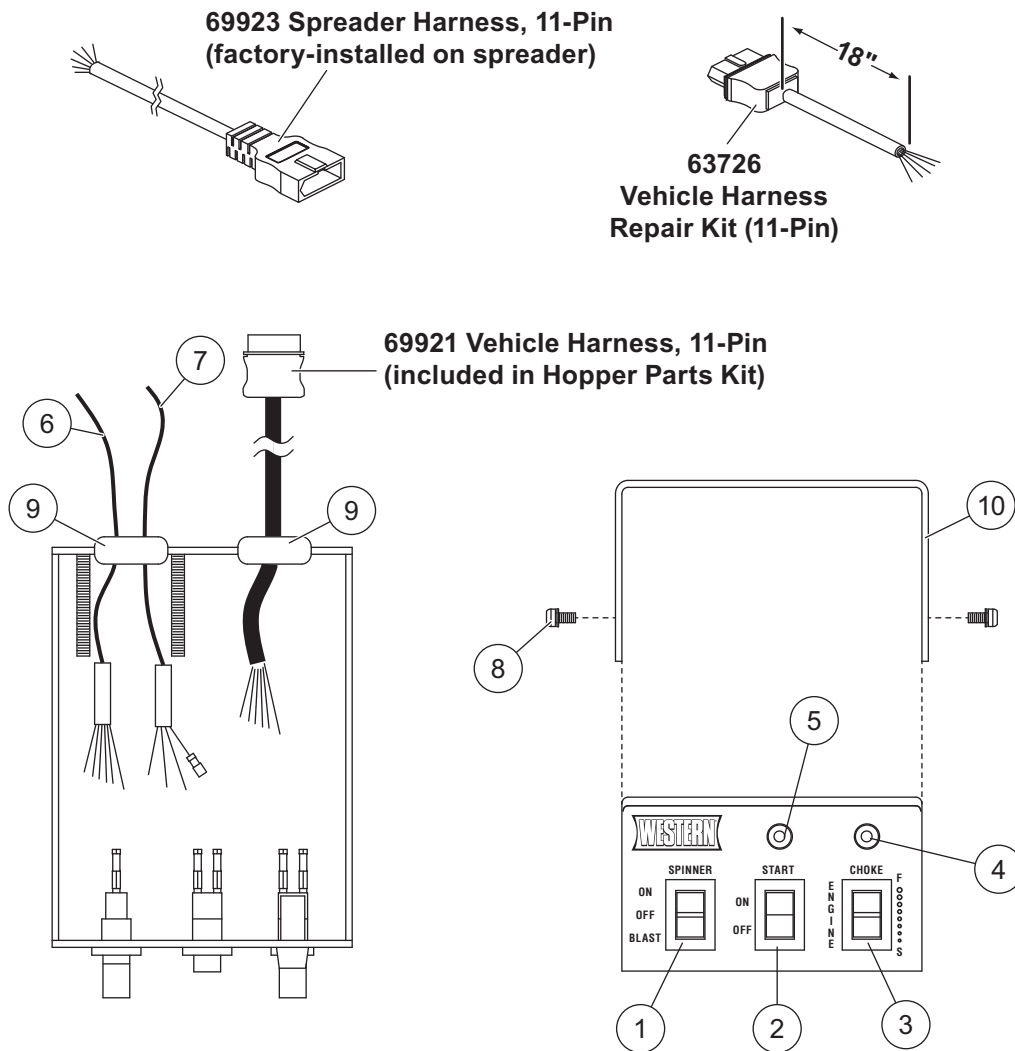


67530-1 Hopper Spreader Cab Control – 1 Light

Item	Part	Qty	Description	Item	Part	Qty	Description
1	67532	1	Spinner Clutch Switch	7	63930	4	4-40 x 1/4 Pan-Head Machine Screw
2	67533	1	Ignition Switch	8	66130	1	Rubber Grommet, large
3	67534	1	Throttle (Choke) Switch	9		1	Rubber Grommet, small
4	67528	1	Light, 12V Panel Mount (Red)	10	65516	1	Control Bracket Installation Kit (includes mounting hardware)
5	67526	1	Control Harness 12V Positive (Red)				
6	66432	1	Control Harness Ground (Black)				

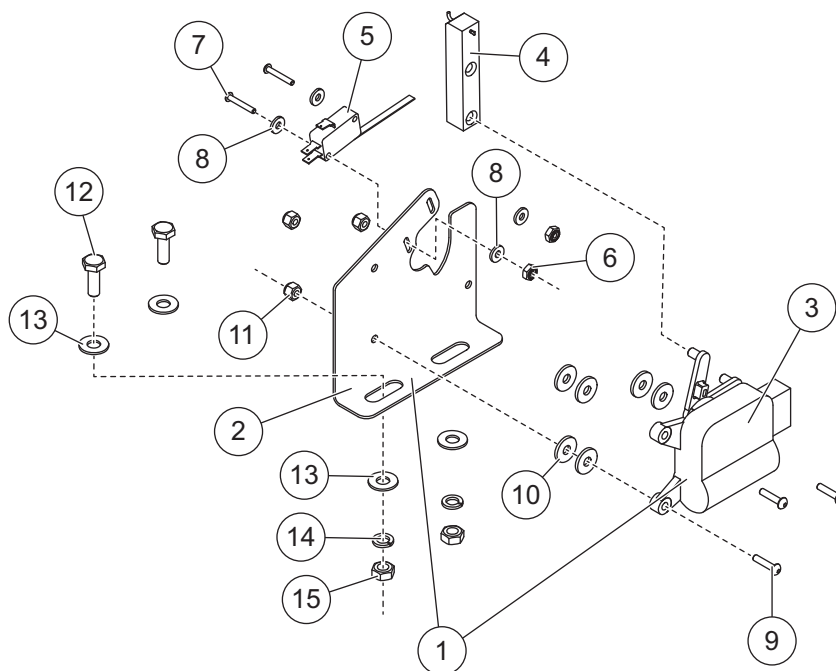
TWO-LIGHT CAB CONTROL PARTS LIST

For Striker™ hopper spreaders



98985 Hopper Spreader Cab Control – 2 Lights						
Item	Part	Qty	Description	Item	Part	Qty Description
1	99179	1	Spinner Clutch Switch (Black)	7	69922	1 Control Harness Ground (Black)
2	99178	1	Ignition Switch (Black)	8	63930	4 4-40 x 1/4 Pan-Head Machine Screw
3	99177	1	Throttle (Choke) Switch (Black)	9	66130	2 Rubber Grommet, large
4	99175	1	LED, 12V Panel Mount (Red)	10	65516	1 Control Bracket Installation Kit (includes mounting hardware)
5	99176	1	LED, 12V Panel Mount (Green)			
6	67526	1	Control Harness 12V Positive (Red)			

ELECTRICAL COMPONENTS PARTS LIST

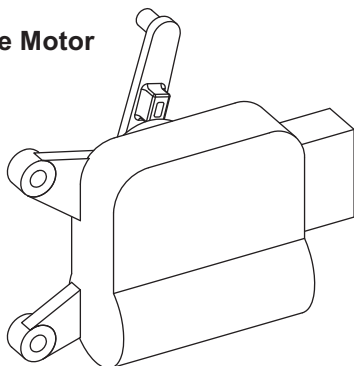


Electric Throttle Components – Tecumseh Engine							
Item	Part	Qty	Description	Item	Part	Qty	Description
1	69783	1	Electric Throttle Motor Kit – Tecumseh (includes items 2, 3, 10)	9		3	6-32 x 5/8 Button Cap Screw SS
2	69788*	1	Throttle Bracket – Tecumseh	10		3	6-32 Hex Locknut GB SS
3		1	Electric Throttle Motor – Tecumseh	11		2	1/4-20 x 3/4 Hex Cap Screw G5 SS
4	65375	1	Electric Throttle Arm – Tecumseh	12		4	1/4 Flat Washer
5	68863	1	Choke Light Switch	13		2	1/4 Lock Washer
6		2	4-40 x 3/4 Button Cap Screw SS	14		2	1/4-20 Hex Nut G5
7		2	4-40 Hex Locknut GB SS	15		6	Flat Washer M5 Regular
8		4	#4 Flat Washer SS	ns	68853†	1	Throttle Bracket – Tecumseh
			ns = not shown				SS = Stainless Steel
							G = Grade

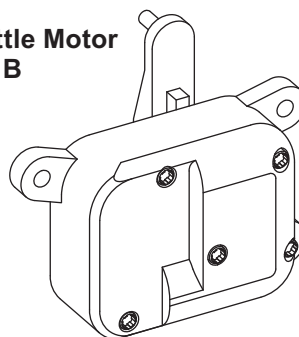
* Used with Throttle Motor type A.

† Used with Throttle Motor type B.

Throttle Motor Type A

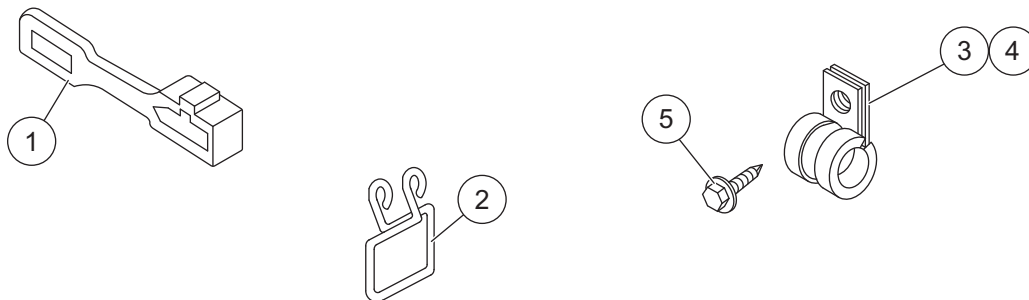


Throttle Motor Type B



Type B motor is no longer available. For service, use Item 1 in the above parts list.

ELECTRICAL COMPONENTS PARTS LIST



Miscellaneous Electrical Components							
Item	Part	Qty	Description	Item	Part	Qty	Description
1	8291K	1	Plug Cover	ns	67241	1	Clutch Ground Wire
2	49304K	1	Plug retainer Kit (2 hooks)	ns	67527	1	Choke Switch Ground Wire
3	65340	AR	Clamp Loop #10	ns	66130	AR	Split Rubber Grommet 3/8 ID
4	65190	AR	Clamp Loop #6	ns	56099	1	Dielectric Grease Tube
5	93148	AR	1/4-14 x 3/4 Self-Driving Tap Screw	ns	67537	1	Relay Wire (white) – Premium Control
AR = As Required				ns = not shown			



Western Products
PO Box 245038
Milwaukee, WI 53224-9538
www.westernplows.com

Copyright © 2017 Douglas Dynamics, LLC. All rights reserved. This material may not be reproduced or copied, in whole or in part, in any printed, mechanical, electronic, film or other distribution and storage media, without the written consent of Western Products. Authorization to photocopy items for internal or personal use by Western Products outlets or spreader owner is granted.

Western Products reserves the right under its product improvement policy to change construction or design details and furnish equipment when so altered without reference to illustrations or specifications used. Western Products or the vehicle manufacturer may require or recommend optional equipment for spreaders. Do not exceed vehicle ratings with a spreader. Western Products offers a limited warranty for all spreaders and accessories. See separately printed page for this important information. The following are registered (®) or unregistered (™) trademarks of Douglas Dynamics, LLC: ICE BREAKER™, Striker™, WESTERN®.

Printed in U.S.A.