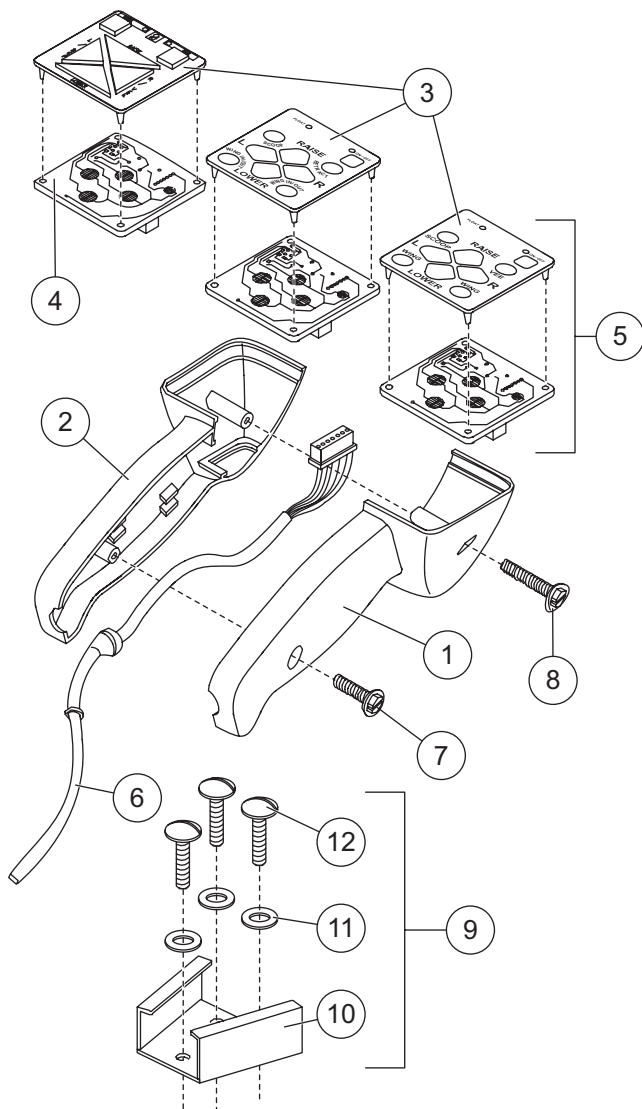




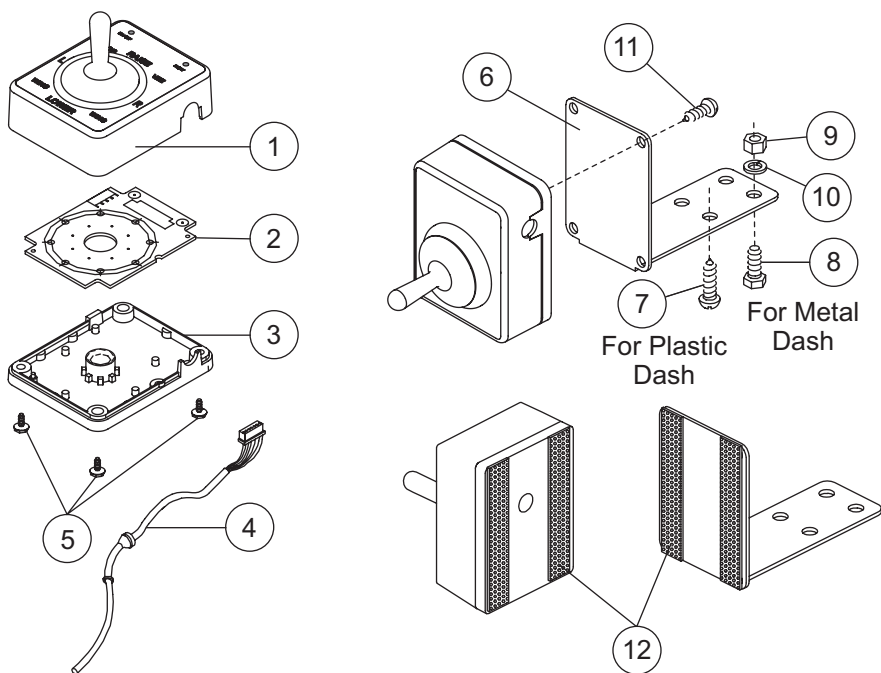
# CONTROL KITS

## XLS™, XtremeV™ & EZ-V® Fish-Stik® Hand-Held and XtremeV & EZ-V Joystick

### Parts List



29800 (XLS), 29600 (XtremeV), 9800 (EZ-V – 9-Button) and 9700 (EZ-V – 6-Button)			
Item	Part	Qty	Description
1	96456	1	Control Body – Right
2	96457	1	Control Body – Left
3	96450	1	Keypad – XLS, XtremeV & EZ-V (9-Button)
	66794	1	Keypad – EZ-V (6-Button)
4	66793	1	PC Board – 6-Button (No Keypad)
5	96438	1	PC Board & Keypad – 9-Button (4-Pin) XtremeV
	49471	1	PC Board & Keypad – 9-Button (4-Pin) XLS
	96449	1	PC Board & Keypad – 9-Button (10-Pin) EZ-V
6	96464	1	Harness – 9-Button (4-Pin)
	96454	1	Harness – 9-Button (10-Pin)
	66633	1	Harness – 6-Button
7	93173	1	8-18 x 3/4 Tapping Screw
8	93174	1	8-18 x 1-1/4 Tapping Screw
9	64312	1	Parts Bag – Control Bracket
ns	69190	–	Fuse Kit (Package of 5) – EZ-V Only
64312 Parts Bag – Control Bracket			
10		1	Control Bracket
11		3	6 Spring Lock Washer
12		3	6-32 x 1 Tapping Screw
ns = not shown			



29700 (XtremeV™) and 9900 (EZ-V®)							
Item	Part	Qty	Description	Item	Part	Qty	Description
1	96358	1	Cover Assembly w/Actuator Spring & Label	4	96352	1	Harness (4-Pin)
2	96353	1	PC Board (4-Pin)		96365	1	Harness (10-Pin)
	96367	1	PC Board (10-Pin)	5	96364	3	4 x 3/8 Tapping Screw
3	96366	1	Bottom Housing	ns	96363	1	Dash Bracket Parts Bag
				ns	69190	-	Fuse Kit (Package of 5) – EZ-V Only
96363 Dash Bracket Parts Bag							
6		1	Control Bracket	10		2	1/4 Spring Lock Washer
7		4	12-14 x 3/4 Tapping Screw	11		2	8-18 x 5/8 Tapping Screw
8		2	1/4-20 x 3/4 Hex Cap Screw G5	12	20254K	1	Dual Lock Mounting Kit
9		2	1/4-20 Hex Nut G5				
G = Grade				ns = not shown			

Copyright © 2007 Douglas Dynamics, L.L.C. All rights reserved. This material may not be reproduced or copied, in whole or in part, in any printed, mechanical, electronic, film or other distribution and storage media, without the written consent of Fisher Engineering. Authorization to photocopy items for internal or personal use by Fisher Engineering outlets or snowplow owner is granted.

Fisher Engineering reserves the right under its product improvement policy to change construction or design details and furnish equipment when so altered without reference to illustrations or specifications used. Fisher Engineering or the vehicle manufacturer may require or recommend optional equipment for snow removal. Do not exceed vehicle ratings with a snowplow. Fisher Engineering offers a limited warranty for all snowplows and accessories. See separately printed page for this important information. The following are registered (®) trademarks of Douglas Dynamics, L.L.C.: EZ-V®, FISHER®, Fish-Stik®, XLS™, XtremeV™.

Printed in U.S.A.