

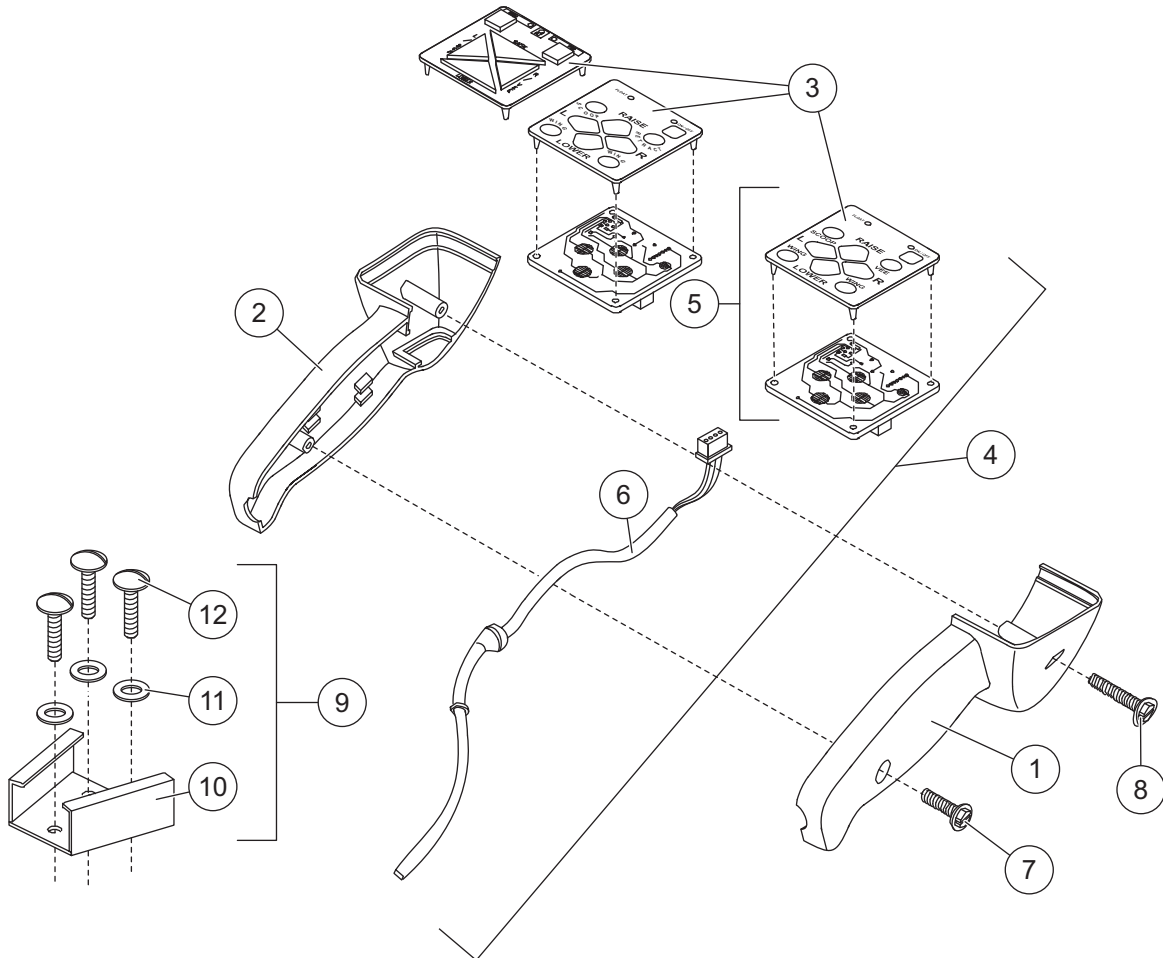


WESTERN PRODUCTS
 P.O. BOX 245038
 MILWAUKEE, WI 53224-9538
 www.westernplows.com

96700 & 96600 MVP PLUS™
 96400 & 96500 WIDE-OUT™ &
 96462, 96369 & 64294 MVP®
 CabCommand HAND-HELD
 and JOYSTICK CONTROLS

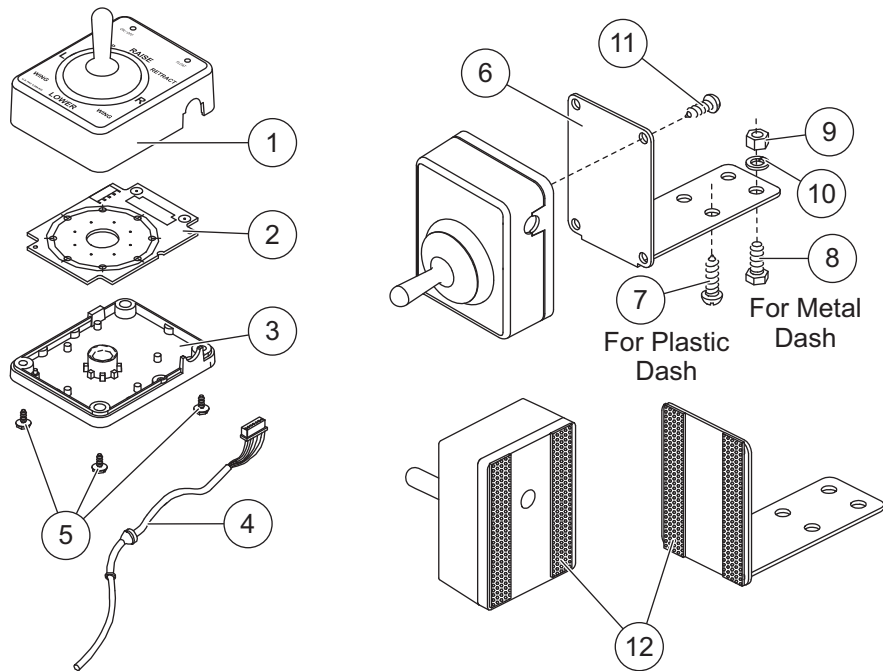
dd A DIVISION OF DOUGLAS DYNAMICS, L.L.C.

Parts Lists and Diagrams



96500 (WIDE-OUT), 96600 (MVP PLUS), 96462 (MVP – 9-Button) and 64294 (MVP – 6-Button)							
Item	Part	Qty	Description	Item	Part	Qty	Description
1	96456	1	CONTROL BODY – RIGHT	6	96464	1	HARNESS – 9-Button (4-Pin)
2	96457	1	CONTROL BODY – LEFT		96454	1	HARNESS – 9-Button (10-Pin)
3	96461	1	KEYPAD – WIDE-OUT, MVP PLUS & MVP (9-Button)	7	93173	1	8-18 x 3/4 TAPPING SCREW
	66792	1	KEYPAD – MVP (6-Button)	8	93174	1	8-18 x 1-1/4 TAPPING SCREW
4	69280	1	PC BOARD/HARNESS (9-Button)	9	64312	1	PARTS BAG – CONTROL BRACKET
5	96463	1	PC BOARD & KEYPAD – 9-Button (4-Pin) MVP PLUS	ns	69190	–	FUSE KIT (PKG OF 5) – MVP Only
	49472	1	PC BOARD & KEYPAD – 9-Button (4-Pin) WIDE-OUT	64312 PARTS BAG – CONTROL BRACKET			
	96460	1	PC BOARD & KEYPAD – 9-Button (10-Pin) MVP	10	56436	1	CONTROL BRACKET
				11	91230	3	6 SPRING LOCK WASHER
				12	80135	3	6-32 x 1 TAPPING SCREW

ns = not shown



96400 (WIDE-OUT™), 96700 (MVP PLUS™) and 96369 (MVP®)							
Item	Part	Qty	Description	Item	Part	Qty	Description
1	96368	1	COVER ASSEMBLY W/ACTUATOR SPRING & LABEL	4	96352	1	HARNESS (4-Pin)
2	96353	1	PC BOARD (4-Pin)		96365	1	HARNESS (10-Pin)
	96367	1	PC BOARD (10-Pin)	5	96364	3	4 x 3/8 TAPPING SCREW
3	96366	1	BOTTOM HOUSING	ns	96363	1	DASH BRACKET PARTS BAG
				ns	69190	-	FUSE KIT (PKG OF 5) – MVP Only
96363 DASH BRACKET PARTS BAG							
6	7718	1	CONTROL BRACKET	10	91201	2	1/4 SPRING LOCK WASHER
7	90659	4	12-14 x 3/4 TAPPING SCREW	11	93154	2	8-18 x 5/8 TAPPING SCREW
8	90461	2	1/4-20 x 3/4 HEX CAP SCREW G5	12	49305K	1	PRO-GRIP MOUNTING KIT
9	91411	2	1/4-20 HEX NUT G5				
G = Grade				ns = not shown			

Copyright © 2008 Douglas Dynamics, L.L.C. All rights reserved. This material may not be reproduced or copied, in whole or in part, in any printed, mechanical, electronic, film or other distribution and storage media, without the written consent of Western Products. Authorization to photocopy items for internal or personal use by Western Products outlets or snowplow owner is granted.

Western Products reserves the right under its product improvement policy to change construction or design details and furnish equipment when so altered without reference to illustrations or specifications used. Western Products or the vehicle manufacturer may require or recommend optional equipment for snow removal. Do not exceed vehicle ratings with a snowplow. Western Products offers a limited warranty on all snowplows and accessories. See separately printed page for this important information. The following are registered (®) or unregistered (™) trademarks of Douglas Dynamics, L.L.C.: MVP®, MVP PLUS™, WESTERN®, WIDE-OUT™.

Printed in U.S.A.