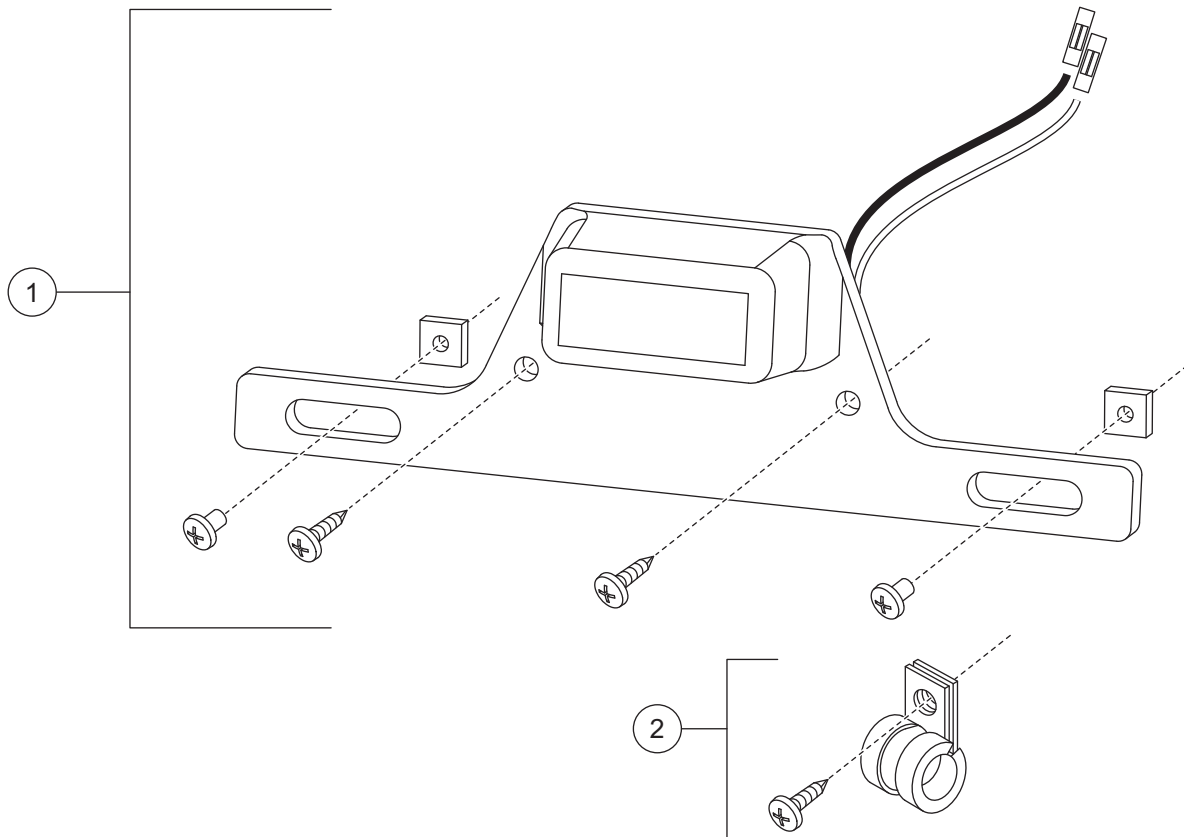


License Plate Light Bracket Kit

Poly Hopper Spreaders

PARTS LIST



78197 License Plate Light Bracket Kit							
Item	Part	Qty	Description	Item	Part	Qty	Description
1	68298	1	License Plate Light Bracket Service Kit	2	68296	3	Clamp Loop #6 Kit

⚠ CAUTION

Read this document before installing the License Plate Light Bracket Kit.

⚠ CAUTION

Use standard methods and practices when attaching spreader and installing accessories, including proper personal protective safety equipment.

INSTALLATION INSTRUCTIONS

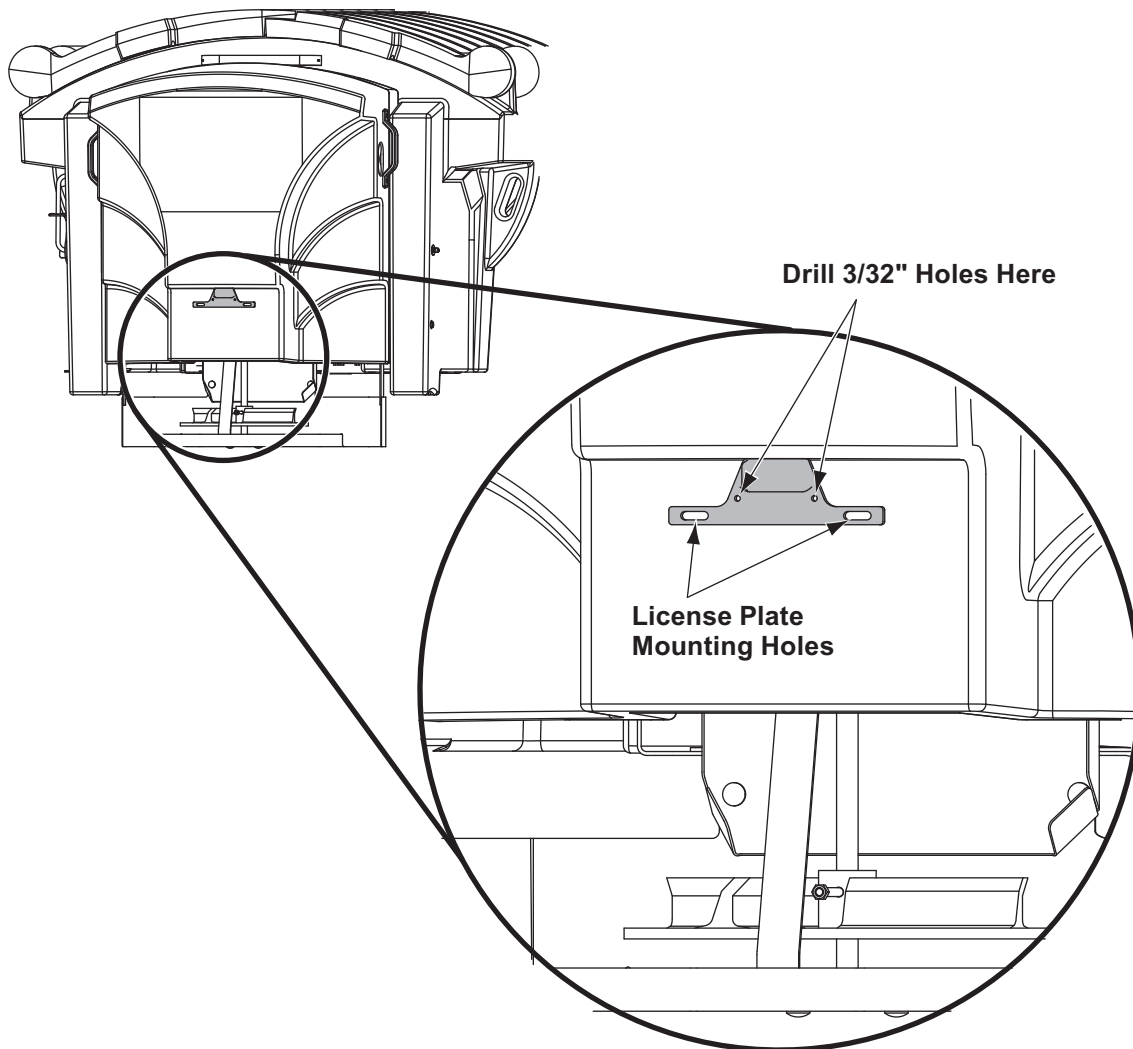
1. Park the vehicle on a smooth, level, hard surface, such as concrete. Turn the vehicle ignition to the "OFF" position and remove the key.

⚠ CAUTION

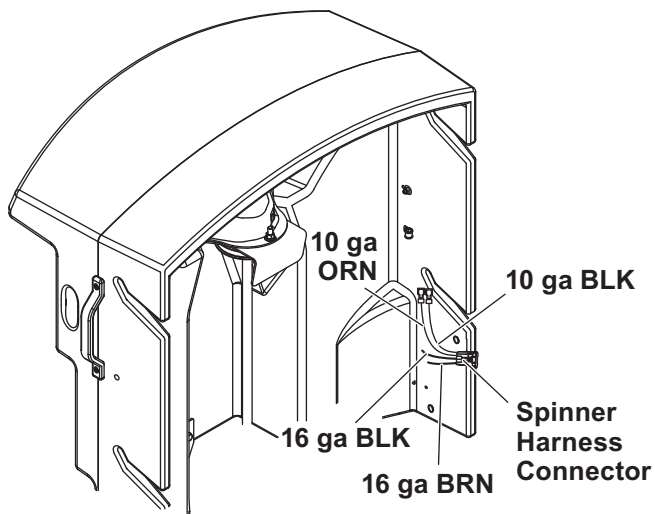
Before drilling any holes, check both sides of the material for any wires, fuel lines, fuel tanks, etc. that may be damaged by drilling.

2. Position the license plate light bracket in the center of the spinner assembly housing as shown in the illustration below. Using the license plate light bracket as a template, locate and drill two $3/32$ " mounting holes through the outer wall of the spinner housing, and one $5/16$ " access hole through both spinner housing walls to feed the wires into the spinner assembly.

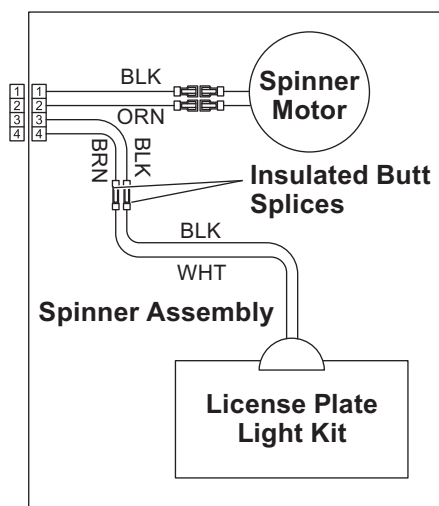
3. Feed the 30" black and white wires through $5/16$ " wire access hole drilled in Step 2. Mount the license plate bracket to the spinner housing using two $12 \times 3/4$ " tapping screws into the $3/32$ " holes drilled in Step 2.



- On the inside of the spinner housing, route the wires to the 4-pin spinner harness connector on the driver's side of the spinner assembly. Secure the wires close to the wall as needed using the #6 clamp loops and screws provided.



- Splice the white wire from the license plate light to the 6" 16 gauge brown wire from the spinner harness 4-pin connector using a butt splice. Splice the black wire from the license plate light to the 6" 16 gauge black wire from the spinner harness 4-pin connector using a butt splice. Apply heat to the plastic ends of the butt splices to shrink and seal them to the wires. Secure all wires as needed.

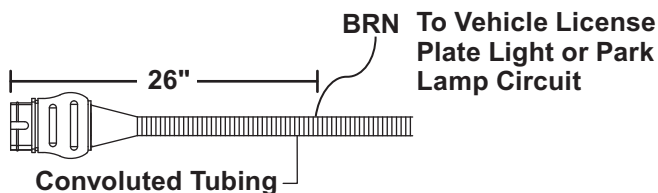


- With the short Phillips head cap screws and square nuts, mount the license plate to the license plate light bracket using the large outer slots.

FLEET FLEX Hoppers

- At a point approximately 26" from the vehicle harness assembly plug, open the convoluted tubing and pull out the brown wire.
- Connect this brown wire to the vehicle license plate light or park lamp circuit.

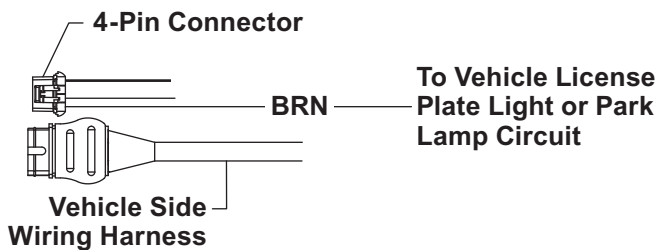
Vehicle Side Wiring: FLEET FLEX Hoppers



Non-FLEET FLEX Hoppers

- Connect the brown wire from the vehicle CHMSL harness to the vehicle license plate light or park lamp circuit.

Vehicle Side Wiring: Non-FLEET FLEX Hoppers



Copyright © 2016 Douglas Dynamics, LLC. All rights reserved. This material may not be reproduced or copied, in whole or in part, in any printed, mechanical, electronic, film or other distribution and storage media, without the written consent of the company. Authorization to photocopy items for internal or personal use by the company's outlets or spreader owner is granted.

The company reserves the right under its product improvement policy to change construction or design details and furnish equipment when so altered without reference to illustrations or specifications used. This equipment manufacturer or the vehicle manufacturer may require or recommend optional equipment for spreaders. Do not exceed vehicle ratings with a spreader. The company offers a limited warranty for all spreaders and accessories. See separately printed page for this important information.

Printed in U.S.A.
