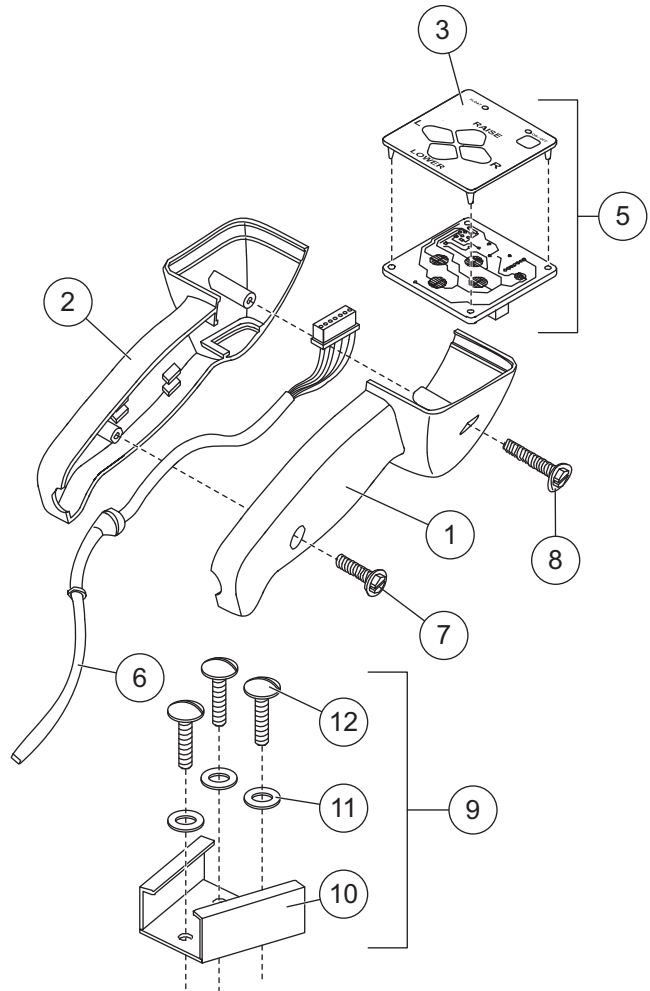


**PARTS LIST**

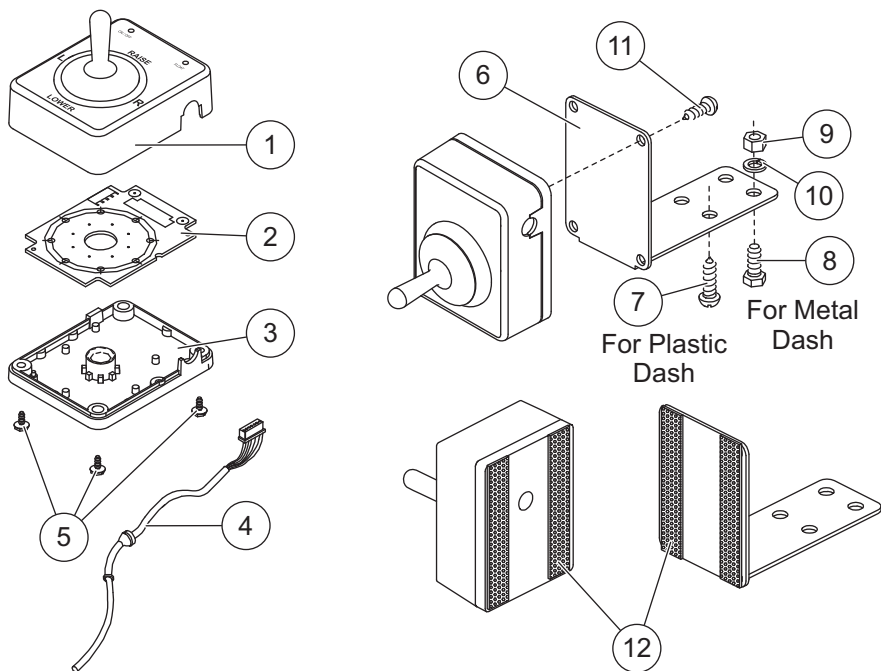
| 96550 BLIZZARD® Hand-Held Control |       |     |                             |
|-----------------------------------|-------|-----|-----------------------------|
| Item                              | Part  | Qty | Description                 |
| 1                                 | 96456 | 1   | Control Body – Right        |
| 2                                 | 96457 | 1   | Control Body – Left         |
| 3                                 | 49446 | 1   | Keypad                      |
| 5                                 | 49447 | 1   | PC Board & Keypad (4-Pin)   |
| 6                                 | 96464 | 1   | Harness (4-Pin)             |
| 7                                 | 93173 | 1   | 8-18 x 3/4 Tapping Screw    |
| 8                                 | 93174 | 1   | 8-18 x 1-1/4 Tapping Screw  |
| 9                                 | 64312 | 1   | Parts Bag – Control Bracket |
| 64312 Parts Bag – Control Bracket |       |     |                             |
| 10                                | 56436 | 1   | Control Bracket             |
| 11                                | 91230 | 3   | 6 Spring Lock Washer        |
| 12                                | 80135 | 3   | 6-32 x 1 Tapping Screw      |



**⚠ CAUTION**  
Read this document before installing the Hand-Held and Joystick Controls.

**⚠ CAUTION**  
See your sales outlet for specific vehicle application recommendations before installation.

**⚠ CAUTION**  
Use standard methods and practices when attaching snowplow and installing accessories including proper personal protective safety equipment.



| 96555 BLIZZARD® Joystick Control |       |     |  |      |        |                            |                |
|----------------------------------|-------|-----|--|------|--------|----------------------------|----------------|
| Item                             | Part  | Qty | Description                              | Item | Part   | Qty Description            |                |
| 1                                | 49448 | 1   | Cover Assembly w/Actuator Spring & Label | 4    | 96352  | 1 Harness (4-Pin)          |                |
| 2                                | 96353 | 1   | PC Board (4-Pin)                         | 5    | 96364  | 3 4 x 3/8 Tapping Screw    |                |
| 3                                | 96366 | 1   | Bottom Housing                           | ns   | 96363  | 1 Dash Bracket Parts Bag   |                |
| 96363 Dash Bracket Parts Bag     |       |     |  |      |        |                            |                |
| 6                                | 7718  | 1   | Control Bracket                          | 10   | 91201  | 2 1/4 Spring Lock Washer   |                |
| 7                                | 90659 | 4   | 12-14 x 3/4 Tapping Screw                | 11   | 93154  | 2 8-18 x 5/8 Tapping Screw |                |
| 8                                | 90461 | 2   | 1/4-20 x 3/4 Hex Cap Screw G5            | 12   | 49305K | 1 PRO-GRIP Mounting Kit    |                |
| 9                                | 91411 | 2   | 1/4-20 Hex Nut G5                        |      |        |                            |                |
|                                  |       |     | G = Grade                                |      |        |                            | ns = not shown |

Copyright © 2008 Douglas Dynamics, L.L.C. All rights reserved. This material may not be reproduced or copied, in whole or in part, in any printed, mechanical, electronic, film or other distribution and storage media, without the written consent of Blizzard. Authorization to photocopy items for internal or personal use by the Blizzard outlets or snowplow owner is granted.

Blizzard reserves the right under its product improvement policy to change construction or design details and furnish equipment when so altered without reference to illustrations or specifications used. Blizzard or the vehicle manufacturer may require or recommend optional equipment for snow removal. Do not exceed vehicle ratings with a snowplow. Blizzard offers a limited warranty for all snowplows and accessories. See separately printed page for this important information. The following are registered (®) or unregistered (™) trademarks of Douglas Dynamics, L.L.C.: BLIZZARD®.

Printed in U.S.A.