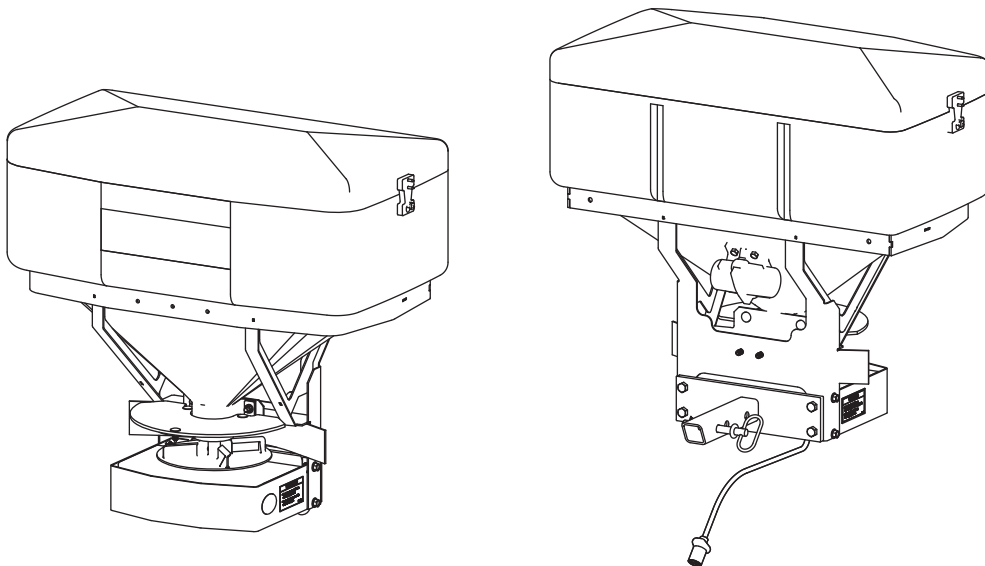


SNOWEX[®]

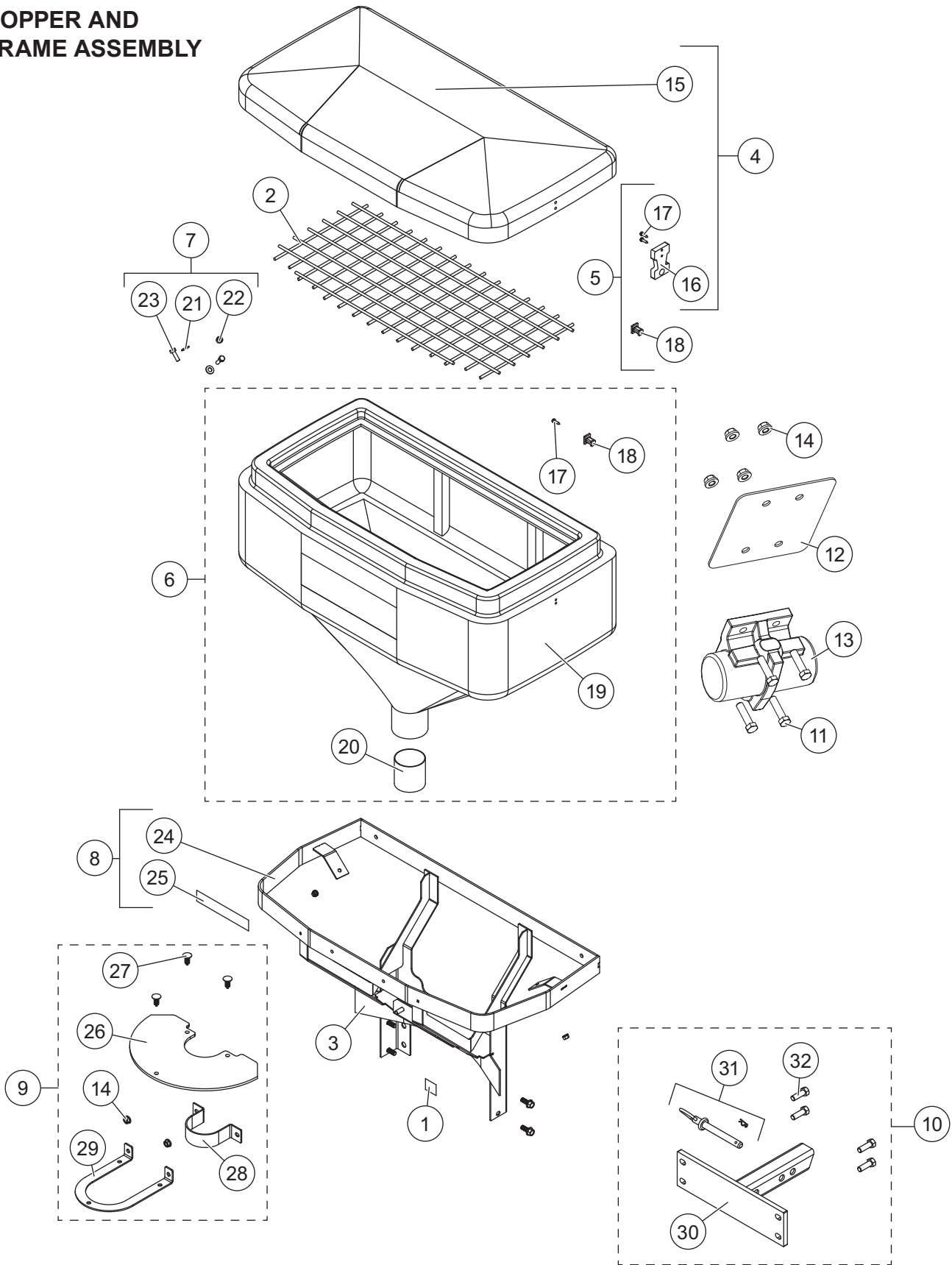
LEADERS IN ICE CONTROL

SP-575V Tailgate Spreader Parts List



This Parts List is for SnowEx SP-575V tailgate spreaders with serial numbers 140410300010SP-575V and higher.

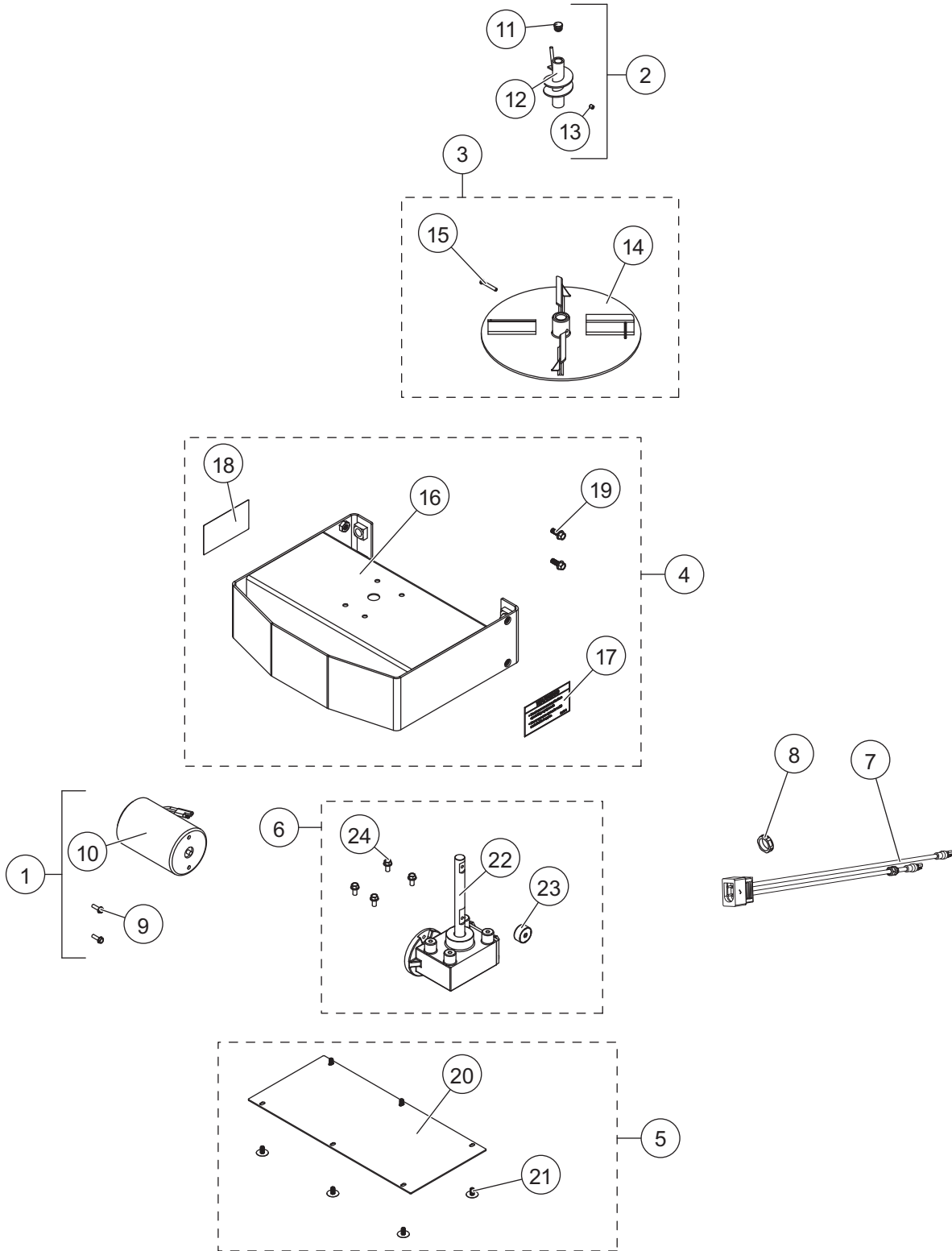
HOPPER AND
FRAME ASSEMBLY



www.storksplows.com
SP-575V TAILGATE SPREADER

Hopper and Frame Assembly							
Item	Part	Qty	Description	Item	Part	Qty	Description
1	F50675	1	Label, Die Cut "V"	8	75632	1	Frame Kit, SP-575X
2	75636	1	Top Screen, SP-575X	9	75639	1	CE Shroud Kit
3	75646	1	Deflector	10	75633	1	Receiver Kit, SP-575X
4	75630	1	Lid Kit, SP-575X	11	D4122	4	3/8-16 x 1-1/2 Hex Cap Screw
5	75612	1	Hopper Strap Kit	12	D5508	1	Backing Plate
6	75631	1	Hopper Kit, SP-575X	13	D6174	1	DC 80 Vibrator
7	75614	1	Hopper Hardware Kit	14	D4124	6	3/8-16 Hex Locknut
Item 4				75630 Lid Kit, SP-575X			
15		1	Hopper Lid, SP-575X	17		4	10 x 3/4 Slotted Cap Screw
16		2	Flexible Draw Latch				
Item 5				75612 Hopper Strap Kit			
16	D6105	2	Flexible Draw Latch	18	D6198	2	Latch Keeper
17		6	10 x 3/4 Slotted Cap Screw				
Item 6				75631 Hopper Kit, SP-575X			
19		1	Hopper, SP-575X	18		2	Latch Keeper
20		1	Throat Liner, Stainless Steel	17		2	10 x 3/4 Slotted Cap Screw
Item 7				75614 Hopper Hardware Kit			
21		2	3/8 Flat Washer	23		2	5/16-18 x 1-1/4 Hex Cap Screw
22		2	5/16-18 Hex Locknut GB				
Item 8				75632 Frame Kit, SP-575X			
24		1	Main Frame, SP-575X	25	D6186	1	Label, Die Cut – Mini Pro 575
Item 9				75639 CE Shroud Kit			
26		1	CE Shroud Tailgate	29		1	Mount Bracket, Shroud
27		3	11mm X 28mm X 22mm Retainer	14		2	3/8-16 Serrated Flange Nut
28		1	Throat Clamp				
Item 10				75633 Receiver Kit, SP-575X			
30		1	Mount, Receiver	32		4	1/2-13 x 1-1/2 Serrated Flange
31	75620	1	5/8 x 5-1/2 Hitch Pin w/Hairpin Cotter				
ns = not shown				G = Grade			

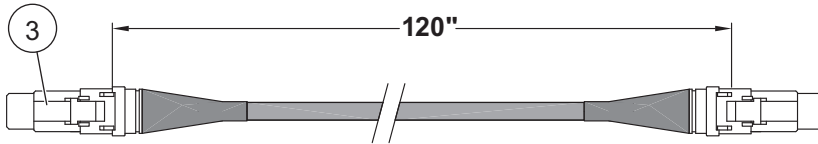
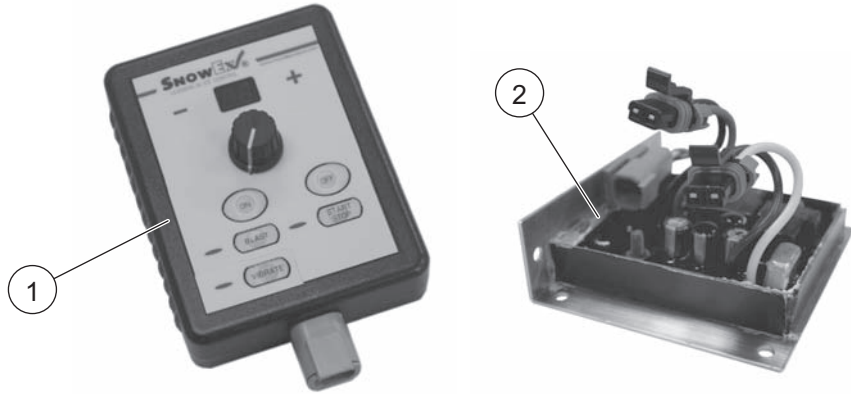
DRIVE ASSEMBLY



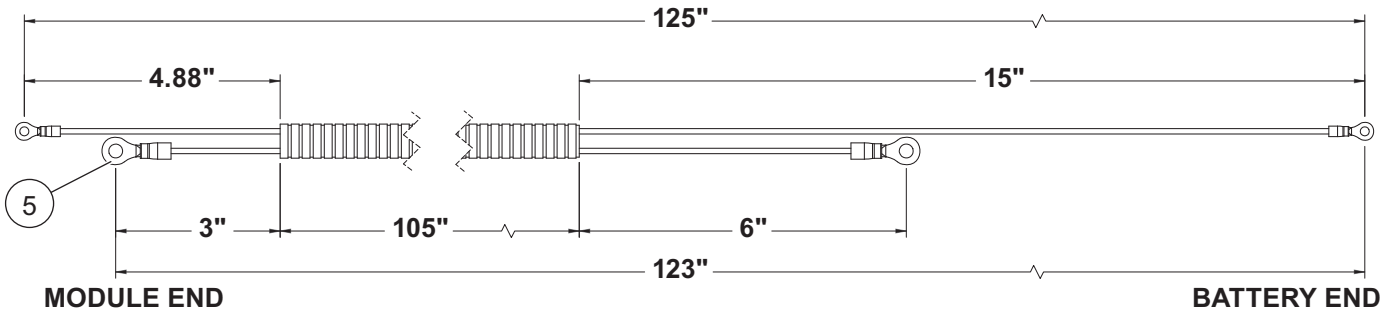
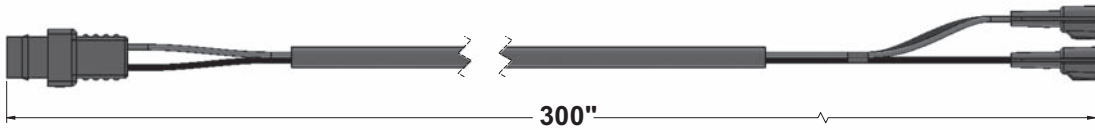
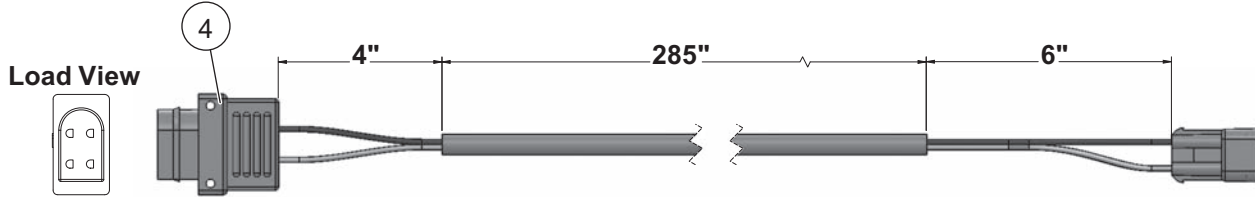
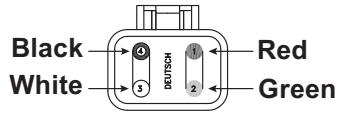
www.storksplows.com
SP-575V TAILGATE SPREADER

75698 Drive Assembly							
Item	Part	Qty	Description	Item	Part	Qty	Description
1	75606	1	Motor Kit	5	75640	1	Transmission Kit
2	75615	1	Auger Kit	6	75618	1	Spinner Kit
3	75635	1	Transmission Enclosure Kit	7	F50671	1	Spreader Harness, SP-575V
4	75641	1	Transmission Enclosure Cover Kit	8		1	1/2 NPT Nut Black Nylon
Item 1				75606 Motor Kit			
		2	10-32 x 5/8 Hex Cap Screw Serrated	10	D6214	1	3 x 3.8 12 V DC Motor
Item 2				75615 Auger Kit			
11	D6191	1	Auger Cap	13		1	5/16-18 x 3/8 Set Screw
12	D6075	1	Auger				
Item 3				75618 Spinner Kit			
14	D6750	1	Spinner, Poly	15	D6746	1	3/16 x 1-1/4 Clevis Pin
Item 4				75635 Transmission Enclosure Kit			
16		1	Enclosure, Spinner Drive	18	75623	1	Label, Warning – Read Manual
17	75621	1	Label, Warning – Hands & Feet	19		4	3/8-16 x 1 Hex Cap Screw Serrated
Item 5				75641 Transmission Enclosure Cover Kit			
20		1	Spinner Drive Enclosure Cover	21		6	1/4 x 3/4 x 1/2 Retainer Black Nylon
Item 6				75640 Transmission Kit			
22	D6107	1	Transmission 8:1	24		4	1/4-20 x 1/2 Serrated Flange SS
23	D6232	1	Motor Drive Coupler				
ns = not shown				G = Grade			

ELECTRICAL COMPONENTS



Load View



www.storksplows.com
SP-575V TAILGATE SPREADER

Electrical Components							
Item	Part	Qty	Description	Item	Part	Qty	Description
1	F50574	1	Control Pendant, SP-575V	4	F50678	1	Vehicle Harness
2	F50596	1	Control Module, SP-575V	5	F50601	1	Battery Harness, SP-575V
3	F50578	1	Data Cable				



531 Ajax Drive
Madison Heights, MI 53224-9538
www.snowexproducts.com

 A DIVISION OF DOUGLAS DYNAMICS, LLC

Copyright © 2014 Douglas Dynamics, LLC. All rights reserved. This material may not be reproduced or copied, in whole or in part, in any printed, mechanical, electronic, film or other distribution and storage media, without the written consent of TrynEx International. Authorization to photocopy items for internal or personal use by TrynEx International outlets or spreader owner is granted.

TrynEx International reserves the right under its product improvement policy to change construction or design details and furnish equipment when so altered without reference to illustrations or specifications used. TrynEx International or the vehicle manufacturer may require or recommend optional equipment for spreaders. Do not exceed vehicle ratings with a spreader. TrynEx International offers a limited warranty for all spreaders and accessories. See separately printed page for this important information. The following are registered (®) or unregistered (™) trademarks of Douglas Dynamics, LLC: SnowEx®, TrynEx®.

Printed in U.S.A.